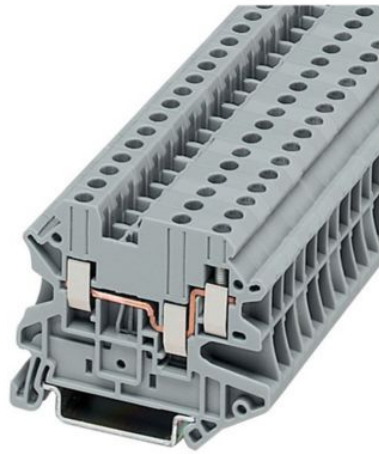


# Specifications



## Eaton XBUT25D12

Eaton XB IEC terminal block, Screw Connection Multi-Conductor Terminal Blocks, Gray, 12 AWG/2.5 mm<sup>2</sup> maximum wire, Three-wire

### General specifications

<b>PRODUCT NAME</b>	Eaton XB IEC terminal block
<b>CATALOG NUMBER</b>	XBUT25D12
<b>UPC</b>	782116905096
<b>PRODUCT LENGTH/DEPTH</b>	1.85 in
<b>PRODUCT HEIGHT</b>	2.17 in
<b>PRODUCT WIDTH</b>	0.2 in
<b>PRODUCT WEIGHT</b>	0.02 lb
<b>WARRANTY</b>	1 year
<b>CERTIFICATIONS</b>	UL Listed CSA Certified



*Powering Business Worldwide*

### Product specifications

<b>TYPE</b>	IEC-XB Series
<b>AMPERAGE RATING</b>	28A (IEC), 20A (UL)
<b>VOLTAGE RATING</b>	IEC 500V, UL 150V

### Resources

<b>SPECIFICATIONS AND DATASHEETS</b>	<a href="#">Eaton Specification Sheet - XBUT25D12</a>
--------------------------------------	---

---

**PROJECT NAME:**

**PROJECT NUMBER:**

**PREPARED BY:**

**DATE:**

---



**Eaton Corporation plc**  
Eaton House  
30 Pembroke Road  
Dublin 4, Ireland  
Eaton.com

© 2025 Eaton. All Rights Reserved.

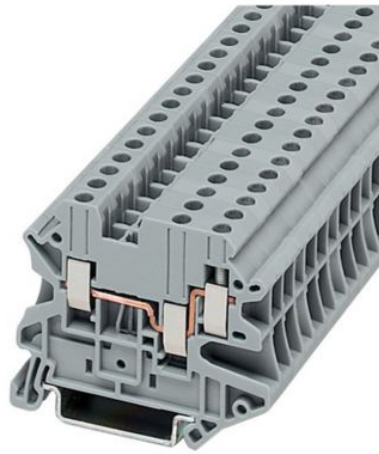
Eaton is a registered trademark.

All other trademarks are property of their respective owners.

Follow us on social media to get the latest product and support information.



# Specifications



## Eaton XBUT25D12

Eaton XB IEC terminal block, Screw Connection Multi-Conductor Terminal Blocks, Gray, 12 AWG/2.5 mm<sup>2</sup> maximum wire, Three-wire

### General specifications

<b>PRODUCT NAME</b>	Eaton XB IEC terminal block
<b>CATALOG NUMBER</b>	XBUT25D12
<b>UPC</b>	782116905096
<b>PRODUCT LENGTH/DEPTH</b>	1.85 in
<b>PRODUCT HEIGHT</b>	2.17 in
<b>PRODUCT WIDTH</b>	0.2 in
<b>PRODUCT WEIGHT</b>	0.02 lb
<b>WARRANTY</b>	1 year
<b>CERTIFICATIONS</b>	UL Listed CSA Certified



*Powering Business Worldwide*

### Product specifications

<b>TYPE</b>	IEC-XB Series
<b>AMPERAGE RATING</b>	28A (IEC), 20A (UL)
<b>VOLTAGE RATING</b>	IEC 500V, UL 150V

### Resources

<b>SPECIFICATIONS AND DATASHEETS</b>	<a href="#">Eaton Specification Sheet - XBUT25D12</a>
--------------------------------------	---

---

**PROJECT NAME:**

**PROJECT NUMBER:**

**PREPARED BY:**

**DATE:**

---



**Eaton Corporation plc**  
Eaton House  
30 Pembroke Road  
Dublin 4, Ireland  
Eaton.com

© 2025 Eaton. All Rights Reserved.

Eaton is a registered trademark.

All other trademarks are property of their respective owners.

Follow us on social media to get the latest product and support information.

