



XFIT



KT-WPLEDXX-X1-8CSB-VDIM-X

TRADITIONAL LED WALL PACK

DESCRIPTION

Traditional LED Wall Pack | 120–277V Input | Color Select Technology | Medium or Large Size Housing | Bronze or White Finish | Glass Lens

APPLICATION

Building mount for exterior illumination (perimeters, pathways, loading docks, and other general security lighting requirements)



10 YEAR
LIMITED WARRANTY

PRODUCT FEATURES

- Keystone Color Select technology (3000/4000/5000K)
- Traditional design that matches appearance, footprint, and light distribution pattern of legacy HID fixtures. Optimized for one-for-one replacements
- Heavy-duty, die-cast aluminum housing with (5) 1/2" threaded conduit hubs: (1) on back and (1) on all four sides
- Built-in dusk-to-dawn photocell behind translucent 3/4" threaded plug with anti-yellowing agent
- Borosilicate glass lens diffuses light source and provides uniform distribution
- Powered by Keystone 0–10V dimming LED drivers
- Ambient operating temperature: –40°C/–40°F to 50°C/122°F
- UL Certified for wet locations; IP65 rated
- Fixture impact rating IK06
- Power Factor: > 0.95
- THD: < 20%
- LED chip lifetime: L70 @ > 100,000 hrs @ 25°C/77°F ambient fixture temperature
- Meets FCC Part 15, Part B, Class A standards for conducted and radiated emissions
- Compatible with Keystone LED Emergency Backups. See *Accessories* page for more details

PRODUCT IMAGES



KT-WPLEDXX-M1-8CSB-VDIM



KT-WPLEDXX-M1-8CSB-VDIM-W



KT-WPLED120-L1-8CSB-VDIM



KT-WPLED120-L1-8CSB-VDIM-W


XFIT


KT-WPLEDXX-X1-8CSB-VDIM-X

TRADITIONAL LED WALL PACK

PRODUCT SPECIFICATIONS

Catalog Number	Wattage	Selectable CCT*	Lumens	Efficacy	Input Voltage	Dimming	CRI	Photocell	Housing Color	Legacy Equivalent
KT-WPLED35-M1-8CSB-VDIM KT-WPLED35-M1-8CSB-VDIM-W	35W	3000K	4885	140 lm/W	120-277V	0-10V	> 80	Included	Bronze or white finishes available	150W MH
		4000K	5460	156 lm/W						
		5000K	5010	143 lm/W						
KT-WPLED55-M1-8CSB-VDIM KT-WPLED55-M1-8CSB-VDIM-W	55W	3000K	7200	131 lm/W	120-277V	0-10V	> 80	Included	Bronze or white finishes available	175-250W MH
		4000K	7690	140 lm/W						
		5000K	7450	135 lm/W						
KT-WPLED80-M1-8CSB-VDIM KT-WPLED80-M1-8CSB-VDIM-W	80W	3000K	10955	137 lm/W	120-277V	0-10V	> 80	Included	Bronze or white finishes available	250-320W MH
		4000K	11925	149 lm/W						
		5000K	11360	142 lm/W						
KT-WPLED120-L1-8CSB-VDIM KT-WPLED120-L1-8CSB-VDIM-W	120W	3000K	16410	137 lm/W	120-277V	0-10V	> 80	Included	Bronze or white finishes available	400W MH
		4000K	17865	149 lm/W						
		5000K	16900	141 lm/W						

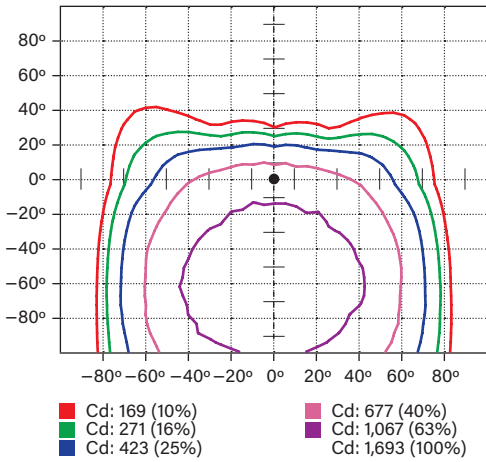
* Color Uniformity: CCT (Correlated Color Temperature) range as per guidelines outlined in ANSI C78.377-2017

KT-WPLEDXX-X1-8CSB-VDIM-X

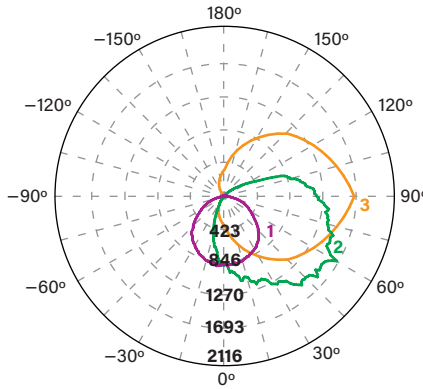
TRADITIONAL LED WALL PACK

PHOTOMETRIC SPECIFICATIONS

KT-WPLED35-MI-8CSB-VDIM-X
ISOCANDELA PLOT



LUMINOUS INTENSITY DISTRIBUTION



Average diffuse angle (50%): **111.0°**

- 1 Violet C0 - C180
- 2 Green C90 - C270
- 3 Orange G60

Unit: cd

FLUX DISTRIBUTION

Zone	Lumens	% Luminaire
Forward Light	3,845 lm	79.5%
0°-30°	591 lm	12.2%
30°-60°	1,673 lm	34.6%
60°-80°	1,166 lm	24.1%
80°-90°	416 lm	8.6%
Back Light	507 lm	10.5%
0°-30°	210 lm	4.4%
30°-60°	227 lm	4.7%
60°-80°	59 lm	1.2%
80°-90°	10 lm	0.2%
Up Light	481 lm	9.9%
90°-100°	215 lm	4.4%
100°-180°	267 lm	5.5%

BUG* Rating

Asymmetrical Luminaire Types

Type I, II, III, IV	B1 U3 G3
---------------------	----------

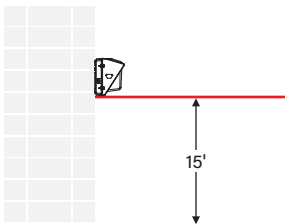
Quadrilateral Symmetrical Luminaire Types

Type V, Area Light	B1 U3 G3
--------------------	----------

* Backlight, Uplight, Glare

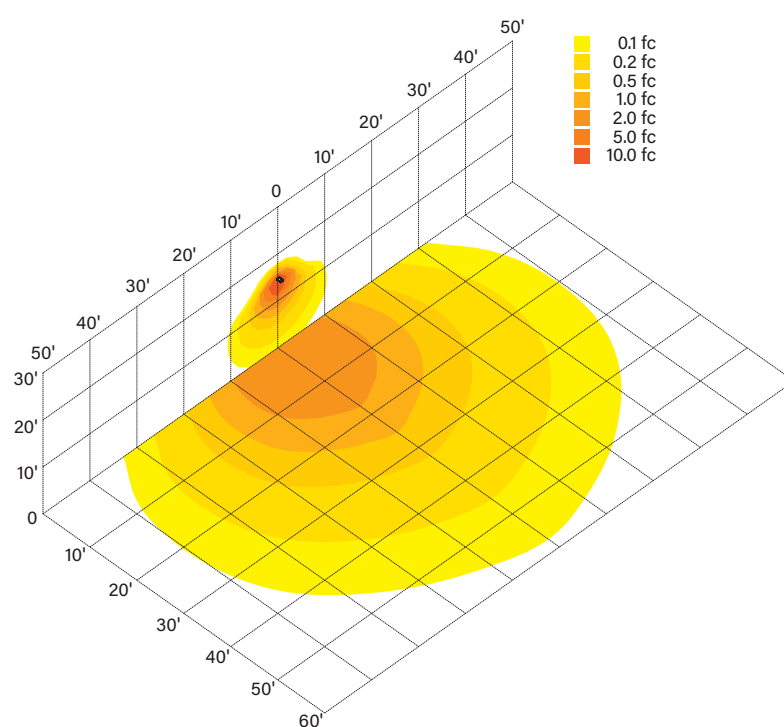
MOUNTING

Side view



LIGHT DISTRIBUTION PATTERN

Isometric view from above; Luminaire mounted at 15'

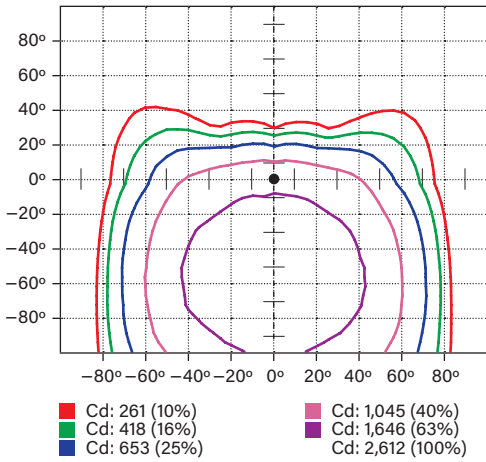


KT-WPLEDXX-X1-8CSB-VDIM-X

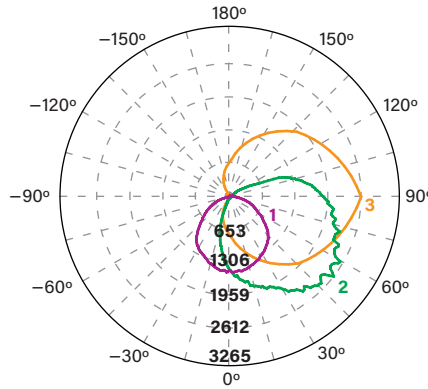
TRADITIONAL LED WALL PACK

PHOTOMETRIC SPECIFICATIONS (CONTINUED)

KT-WPLED55-M1-8CSB-VDIM-X
ISOCANDELA PLOT



LUMINOUS INTENSITY DISTRIBUTION



FLUX DISTRIBUTION

Zone	Lumens	% Luminaire
Forward Light	6,006 lm	81.9%
0°-30°	734 lm	10.0%
30°-60°	2,633 lm	35.9%
60°-80°	1,981 lm	27.0%
80°-90°	658 lm	9.0%
Back Light	629 lm	8.6%
0°-30°	241 lm	3.3%
30°-60°	294 lm	4.0%
60°-80°	80 lm	1.1%
80°-90°	15 lm	0.2%
Up Light	691 lm	9.5%
90°-100°	313 lm	4.3%
100°-180°	378 lm	5.2%

BUG* Rating

Asymmetrical Luminaire Types

Type I, II, III, IV B1 U3 G4

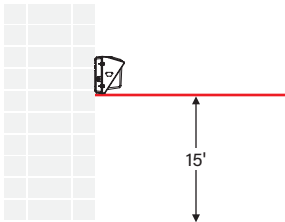
Quadrilateral Symmetrical Luminaire Types

Type V, Area Light B1 U3 G4

* Backlight, Uplight, Glare

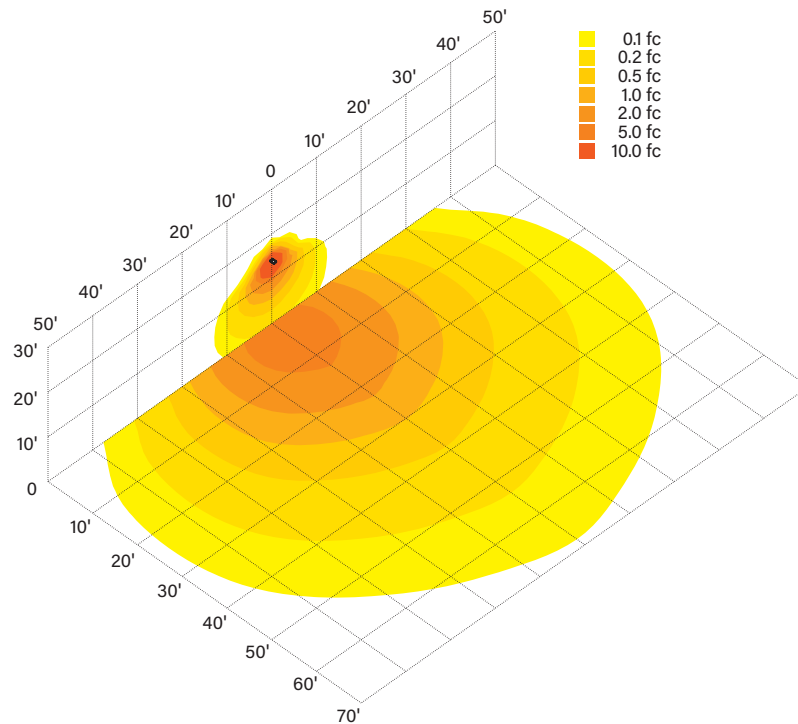
MOUNTING

Side view



LIGHT DISTRIBUTION PATTERN

Isometric view from above; Luminaire mounted at 15'

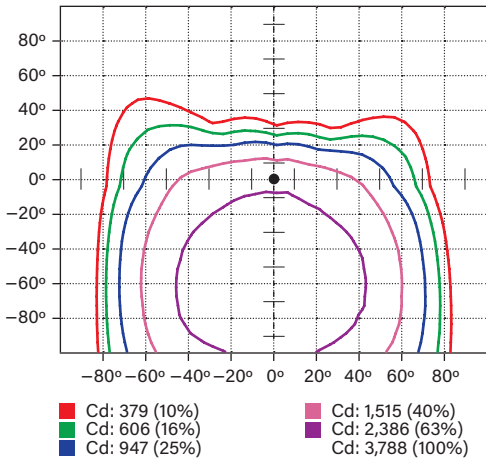


KT-WPLEDXX-X1-8CSB-VDIM-X

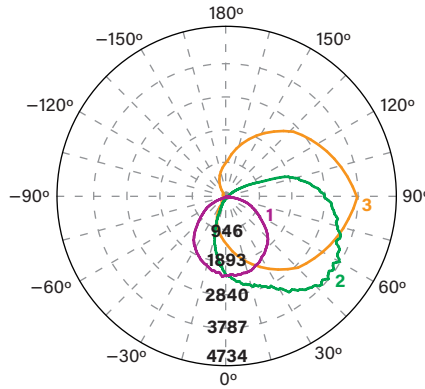
TRADITIONAL LED WALL PACK

PHOTOMETRIC SPECIFICATIONS (CONTINUED)

KT-WPLED80-M1-8CSB-VDIM-X
ISOCANDELA PLOT



LUMINOUS INTENSITY DISTRIBUTION



Average diffuse angle (50%): **111.4°**

- 1 Violet C0 - C180
- 2 Green C90 - C270
- 3 Orange G51

Unit: cd

FLUX DISTRIBUTION

Zone	Lumens	% Luminaire
Forward Light	8,671 lm	79.6%
0°-30°	1,281 lm	11.8%
30°-60°	3,696 lm	33.9%
60°-80°	2,660 lm	24.4%
80°-90°	1,035 lm	9.5%
Back Light	1,029 lm	9.5%
0°-30°	409 lm	3.8%
30°-60°	471 lm	4.3%
60°-80°	126 lm	1.2%
80°-90°	23 lm	0.2%
Up Light	1,195 lm	11.0%
90°-100°	551 lm	5.1%
100°-180°	644 lm	5.9%

BUG* Rating

Asymmetrical Luminaire Types

Type I, II, III, IV B1 U4 G5

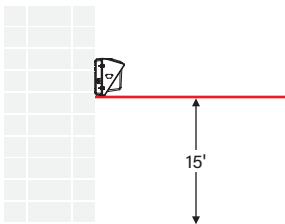
Quadrilateral Symmetrical Luminaire Types

Type V, Area Light B1 U4 G5

* Backlight, Uplight, Glare

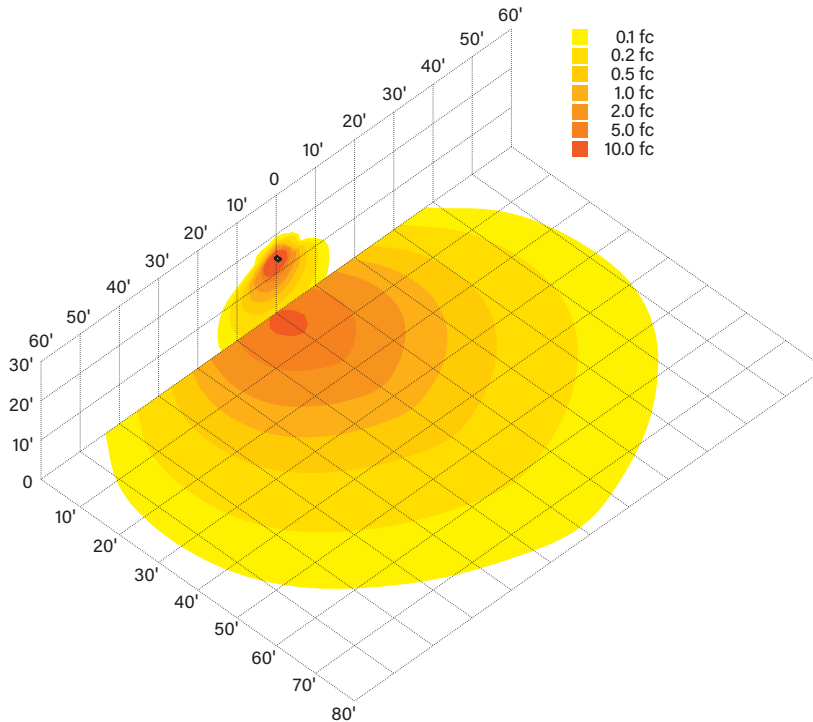
MOUNTING

Side view



LIGHT DISTRIBUTION PATTERN

Isometric view from above; Luminaire mounted at 15'

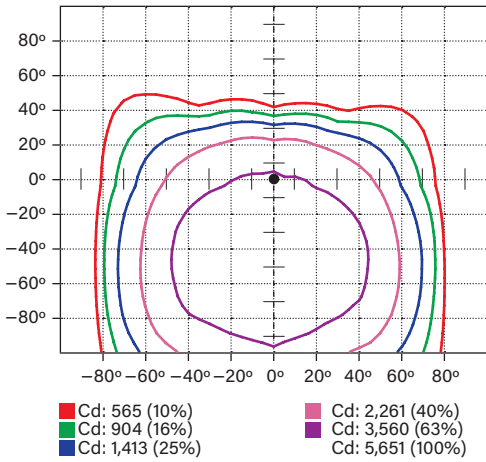


KT-WPLEDXX-X1-8CSB-VDIM-X

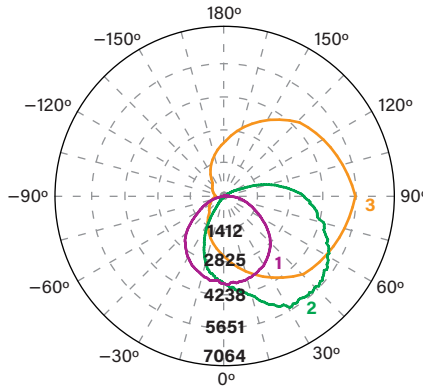
TRADITIONAL LED WALL PACK

PHOTOMETRIC SPECIFICATIONS (CONTINUED)

KT-WPLED120-L1-8CSB-VDIM-X
ISOCANDELA PLOT



LUMINOUS INTENSITY DISTRIBUTION



Average diffuse angle (50%): **112.3°**

- 1 Violet C0 - C180
- 2 Green C90 - C270
- 3 Orange G46

Unit: cd

FLUX DISTRIBUTION

Zone	Lumens	% Luminaire
Forward Light	11,932 lm	71.6%
0°-30°	1,998 lm	12.0%
30°-60°	5,312 lm	31.9%
60°-80°	3,365 lm	20.2%
80°-90°	1,257 lm	7.5%
Back Light	2,803 lm	17.0%
0°-30°	1,280 lm	7.7%
30°-60°	1,273 lm	7.6%
60°-80°	250 lm	1.5%
80°-90°	39 lm	0.2%
Up Light	1,877 lm	11.3%
90°-100°	899 lm	5.4%
100°-180°	979 lm	5.9%

BUG* Rating

Asymmetrical Luminaire Types

Type I, II, III, IV	B3 U4 G5
---------------------	----------

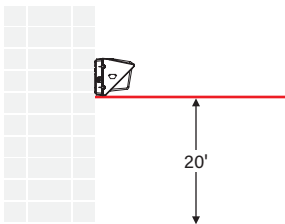
Quadrilateral Symmetrical Luminaire Types

Type V, Area Light	B3 U4 G5
--------------------	----------

* Backlight, Uplight, Glare

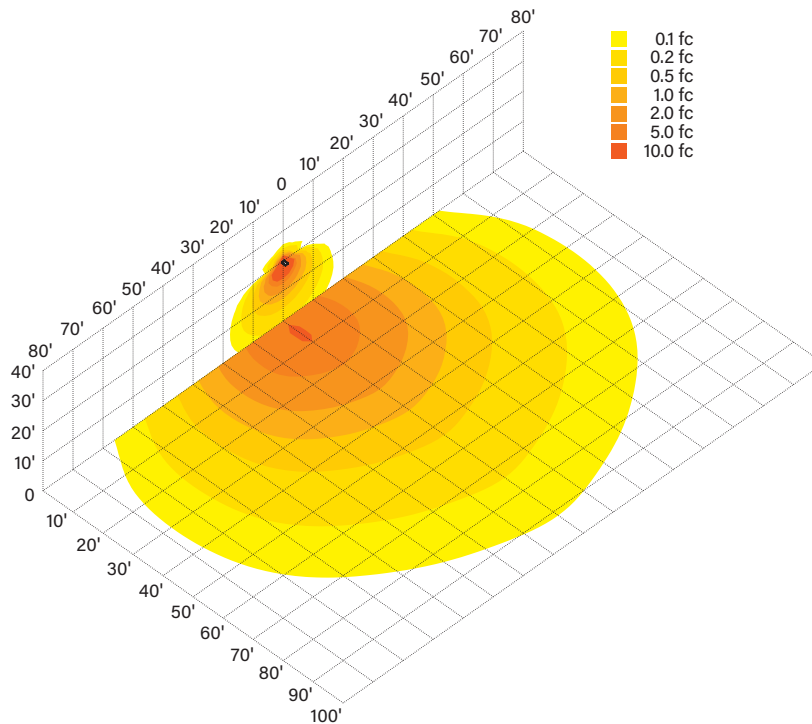
MOUNTING

Side view



LIGHT DISTRIBUTION PATTERN

Isometric view from above; Luminaire mounted at 20'



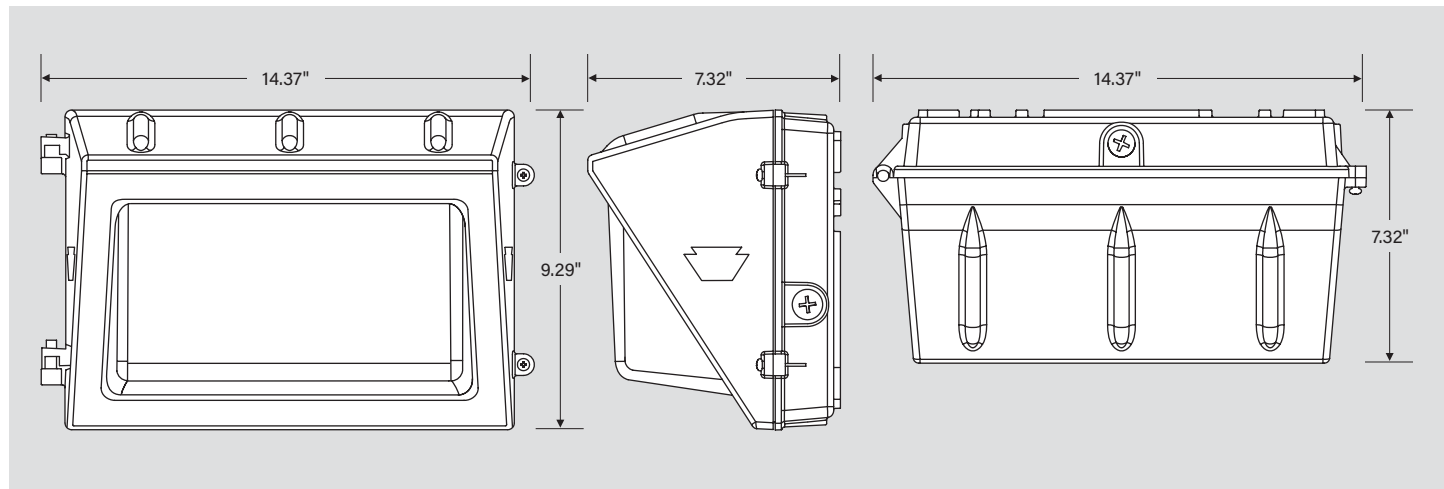


KT-WPLEDXX-X1-8CSB-VDIM-X

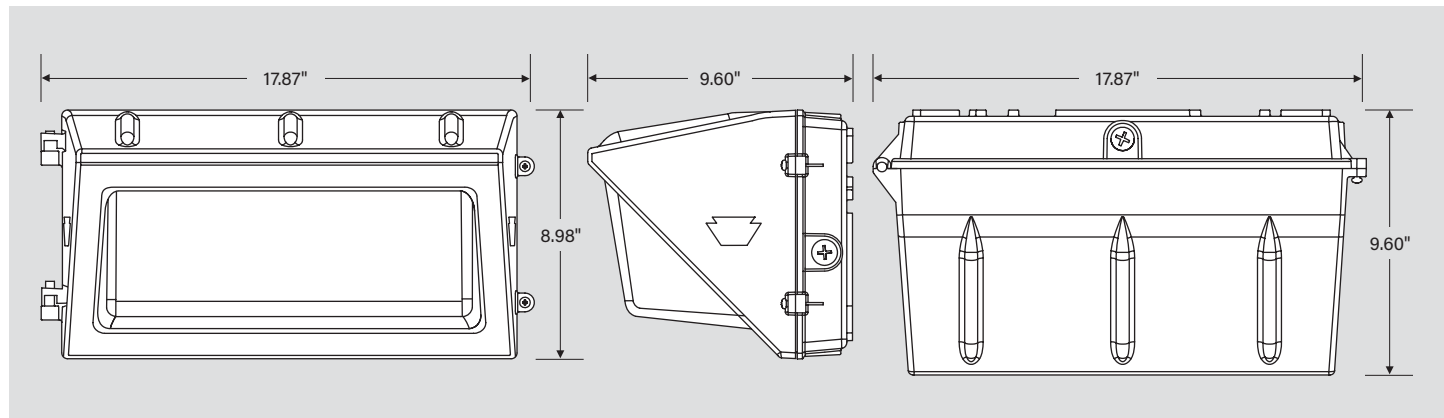
TRADITIONAL LED WALL PACK

PHYSICAL SPECIFICATIONS

KT-WPLEDXX-M1-8CSB-VDIM-X



KT-WPLED120-L1-8CSB-VDIM-X



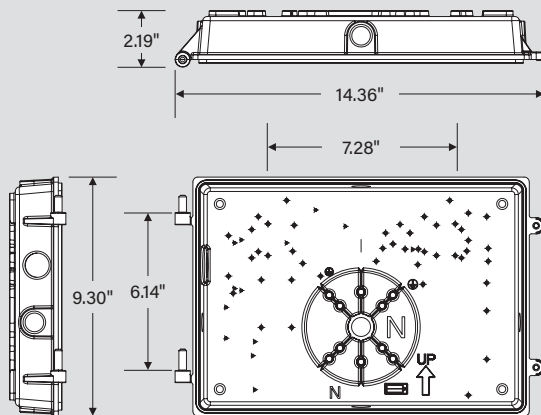


KT-WPLEDXX-X1-8CSB-VDIM-X

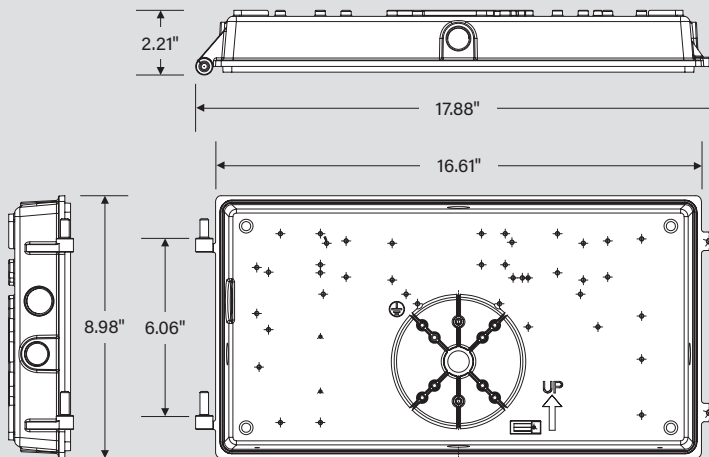
TRADITIONAL LED WALL PACK

PHYSICAL SPECIFICATIONS (CONTINUED)

MEDIUM BACKPLATE (35/55/80W)



LARGE BACKPLATE (120W)



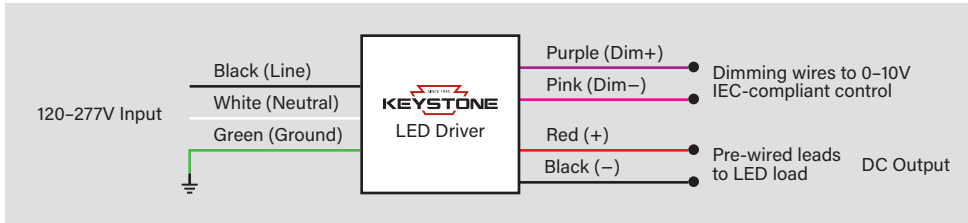


KT-WPLEDXX-X1-8CSB-VDIM-X

TRADITIONAL LED WALL PACK

GENERAL SETUP INSTRUCTIONS

GENERAL WIRING DIAGRAM



Caution: Before installing, make certain that AC power to the fixture is off.

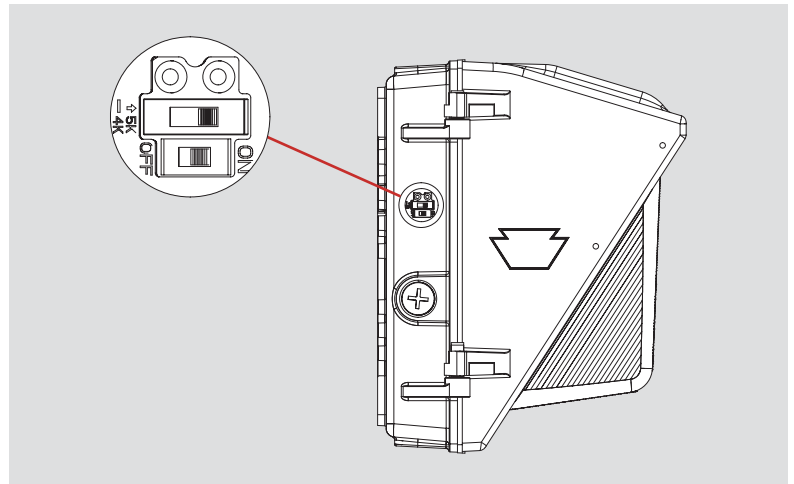
Caution: The electrical rating of this product is 120-277V. Installer must confirm that there is 120-277V at the fixture before installation.

PHOTOCELL ENABLE / DISABLE

This fixture is equipped with a dusk-to-dawn photocell behind the translucent knock-out (KO) cover. Adjust the dip switch to enable (ON) or disable (OFF) the photocell function (see illustrations to the right). Fixture comes pre-set with photocell enabled unless otherwise noted.

COLOR SELECT (CCT) ADJUSTMENT

This fixture is equipped with Color Select technology. There is an adjustable dip switch behind the translucent knock-out (KO) cover to change CCT between 5000K, 4000K, and 3000K (see illustrations to the right). Fixture comes preset at 5000K unless otherwise noted.





KT-WPLEDXX-X1-8CSB-VDIM-X

TRADITIONAL LED WALL PACK

ACCESSORIES

SENSORS

Factory-Installable OR Field-Installable (field-installable purchased separately)

✓	SUFFIX*	CATALOG NUMBER	DESCRIPTION	UPC	EASY CODE
	/MW3	KTS-MW3-UV-KO-K1	Microwave Sensor Kit, Includes 120-277V input to 12V DC convertor & 12V input sensor head, IP65. Bi-Level Control with Adjustable Hold Time, Dim Level and Standby Time. Installs via standard 1/2in KO	843654134147	BKG-51

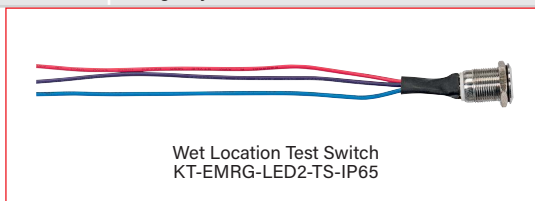


* For factory installation of accessory, add suffix to fixture part number (see ordering examples and instructions on last page of spec sheet).

EMERGENCY BACKUP

Factory-Installable OR Field-Installable (field-installable purchased separately)

✓	SUFFIX*	CATALOG NUMBER	DESCRIPTION	UPC	EASY CODE
	/EM12	KT-EMRG-LED-12C-1200	LED Emergency Back-Up, 12W Constant Wattage Design. Approx 1200 Lumens. 120-277V Input. Remote Compact Battery Pack. CEC T20 Compliant.	843654103112	OJQ-32
	-	KT-EMRG-LED2-TS-IP65	IP65 Rated Wet Location Test Switch for 5W and 12W CEC Compliant LED Emergency Packs	843654130019	MDB-29

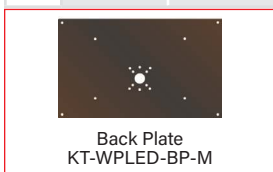


* For factory installation of accessory, add suffix to fixture part number (see ordering examples and instructions on last page of spec sheet).
† Factory installation of emergency backup units will automatically include any relevant mounting bracket.

MOUNTS AND BRACKETS

Field-Installable / Field-Use ONLY (purchased separately)

✓	SUFFIX*	CATALOG NUMBER	DESCRIPTION	UPC	EASY CODE
	-	KT-WPLED-BP-M	Back Plate for Medium Size Wallpacks, Covers Legacy Style Large HID Housing Dimensions. Standard Bronze Color.	843654130613	CCJ-21



* For factory installation of accessory, add suffix to fixture part number (see ordering examples and instructions on last page of spec sheet).

(Accessories continued on next page)


XFIT


KT-WPLEDXX-X1-8CSB-VDIM-X

TRADITIONAL LED WALL PACK

ACCESSORIES (CONTINUED)

SURGE PROTECTORS

Factory-Installable OR Field-Installable (field-installable purchased separately)

✓	SUFFIX*	CATALOG NUMBER	DESCRIPTION	UPC	EASY CODE
	/10KV	KTSP-10KV-C	External Surge Protector, compact design. Parallel Wiring, 120-277V Input, Max Peak Protection (10KV, 10KA)	843654129204	BUU-26



* For factory installation of accessory, add suffix to fixture part number (see ordering examples and instructions on last page of spec sheet).



XFIT



KT-WPLEDXX-X1-8CSB-VDIM-X

TRADITIONAL LED WALL PACK

DESCRIPTION

Traditional LED Wall Pack | 120–277V Input | Color Select Technology | Medium or Large Size Housing | Bronze or White Finish | Glass Lens

APPLICATION

Building mount for exterior illumination (perimeters, pathways, loading docks, and other general security lighting requirements)



10 YEAR
LIMITED WARRANTY

PRODUCT FEATURES

- Keystone Color Select technology (3000/4000/5000K)
- Traditional design that matches appearance, footprint, and light distribution pattern of legacy HID fixtures. Optimized for one-for-one replacements
- Heavy-duty, die-cast aluminum housing with (5) 1/2" threaded conduit hubs: (1) on back and (1) on all four sides
- Built-in dusk-to-dawn photocell behind translucent 3/4" threaded plug with anti-yellowing agent
- Borosilicate glass lens diffuses light source and provides uniform distribution
- Powered by Keystone 0–10V dimming LED drivers
- Ambient operating temperature: –40°C/–40°F to 50°C/122°F
- UL Certified for wet locations; IP65 rated
- Fixture impact rating IK06
- Power Factor: > 0.95
- THD: < 20%
- LED chip lifetime: L70 @ > 100,000 hrs @ 25°C/77°F ambient fixture temperature
- Meets FCC Part 15, Part B, Class A standards for conducted and radiated emissions
- Compatible with Keystone LED Emergency Backups. See *Accessories* page for more details

PRODUCT IMAGES



KT-WPLEDXX-M1-8CSB-VDIM



KT-WPLEDXX-M1-8CSB-VDIM-W



KT-WPLED120-L1-8CSB-VDIM



KT-WPLED120-L1-8CSB-VDIM-W


XFIT


KT-WPLEDXX-X1-8CSB-VDIM-X

TRADITIONAL LED WALL PACK

PRODUCT SPECIFICATIONS

Catalog Number	Wattage	Selectable CCT*	Lumens	Efficacy	Input Voltage	Dimming	CRI	Photocell	Housing Color	Legacy Equivalent
KT-WPLED35-M1-8CSB-VDIM KT-WPLED35-M1-8CSB-VDIM-W	35W	3000K	4885	140 lm/W	120-277V	0-10V	> 80	Included	Bronze or white finishes available	150W MH
		4000K	5460	156 lm/W						
		5000K	5010	143 lm/W						
KT-WPLED55-M1-8CSB-VDIM KT-WPLED55-M1-8CSB-VDIM-W	55W	3000K	7200	131 lm/W	120-277V	0-10V	> 80	Included	Bronze or white finishes available	175-250W MH
		4000K	7690	140 lm/W						
		5000K	7450	135 lm/W						
KT-WPLED80-M1-8CSB-VDIM KT-WPLED80-M1-8CSB-VDIM-W	80W	3000K	10955	137 lm/W	120-277V	0-10V	> 80	Included	Bronze or white finishes available	250-320W MH
		4000K	11925	149 lm/W						
		5000K	11360	142 lm/W						
KT-WPLED120-L1-8CSB-VDIM KT-WPLED120-L1-8CSB-VDIM-W	120W	3000K	16410	137 lm/W	120-277V	0-10V	> 80	Included	Bronze or white finishes available	400W MH
		4000K	17865	149 lm/W						
		5000K	16900	141 lm/W						

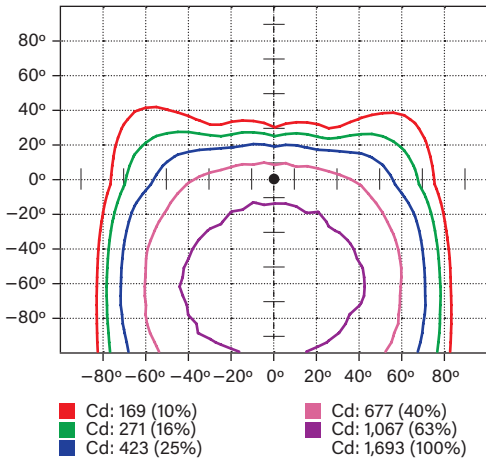
* Color Uniformity: CCT (Correlated Color Temperature) range as per guidelines outlined in ANSI C78.377-2017

KT-WPLEDXX-X1-8CSB-VDIM-X

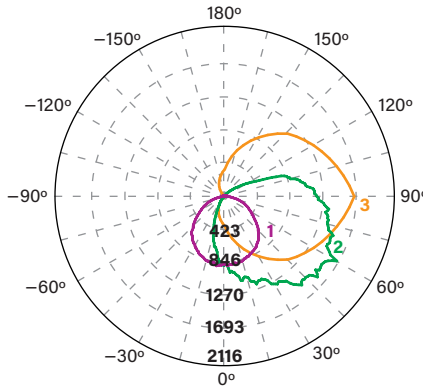
TRADITIONAL LED WALL PACK

PHOTOMETRIC SPECIFICATIONS

KT-WPLED35-MI-8CSB-VDIM-X
ISOCANDELA PLOT



LUMINOUS INTENSITY DISTRIBUTION



FLUX DISTRIBUTION

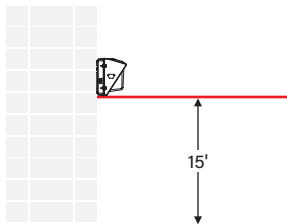
Zone	Lumens	% Luminaire
Forward Light	3,845 lm	79.5%
0°-30°	591 lm	12.2%
30°-60°	1,673 lm	34.6%
60°-80°	1,166 lm	24.1%
80°-90°	416 lm	8.6%
Back Light	507 lm	10.5%
0°-30°	210 lm	4.4%
30°-60°	227 lm	4.7%
60°-80°	59 lm	1.2%
80°-90°	10 lm	0.2%
Up Light	481 lm	9.9%
90°-100°	215 lm	4.4%
100°-180°	267 lm	5.5%

BUG* Rating	
Asymmetrical Luminaire Types	
Type I, II, III, IV	B1 U3 G3
Quadriateral Symmetrical Luminaire Types	
Type V, Area Light	B1 U3 G3

* Backlight, Uplight, Glare

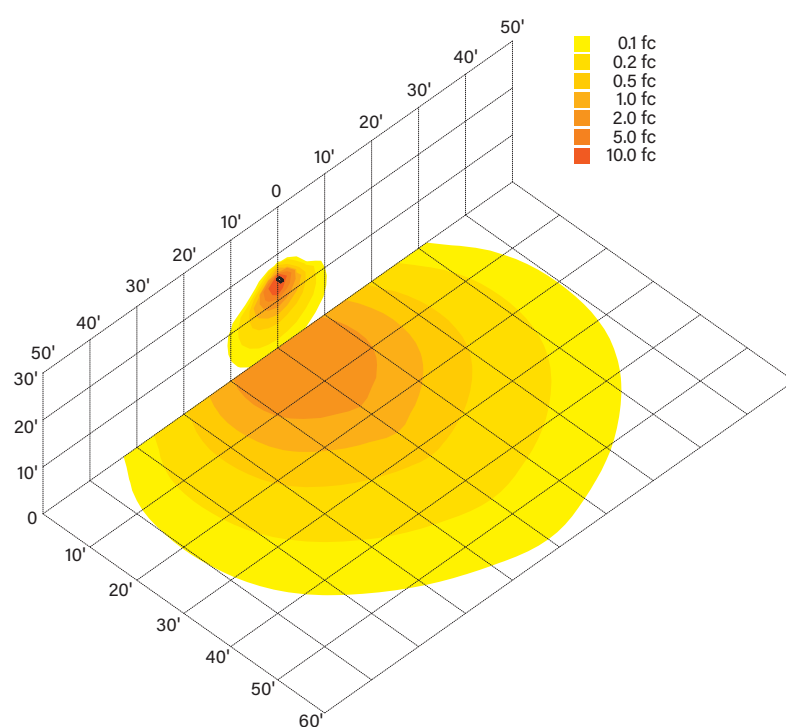
MOUNTING

Side view



LIGHT DISTRIBUTION PATTERN

Isometric view from above; Luminaire mounted at 15'

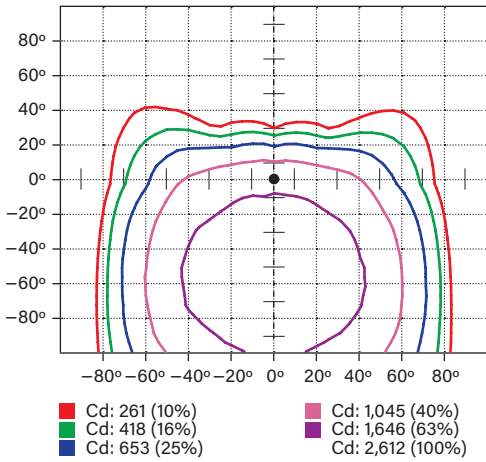


KT-WPLEDXX-X1-8CSB-VDIM-X

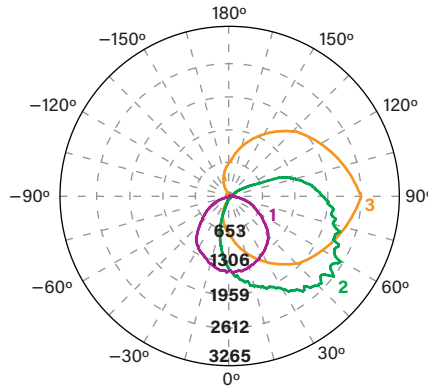
TRADITIONAL LED WALL PACK

PHOTOMETRIC SPECIFICATIONS (CONTINUED)

KT-WPLED55-M1-8CSB-VDIM-X
ISOCANDELA PLOT



LUMINOUS INTENSITY DISTRIBUTION



FLUX DISTRIBUTION

Zone	Lumens	% Luminaire
Forward Light	6,006 lm	81.9%
0°–30°	734 lm	10.0%
30°–60°	2,633 lm	35.9%
60°–80°	1,981 lm	27.0%
80°–90°	658 lm	9.0%
Back Light	629 lm	8.6%
0°–30°	241 lm	3.3%
30°–60°	294 lm	4.0%
60°–80°	80 lm	1.1%
80°–90°	15 lm	0.2%
Up Light	691 lm	9.5%
90°–100°	313 lm	4.3%
100°–180°	378 lm	5.2%

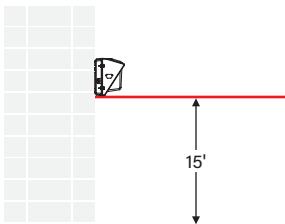
BUG* Rating

Asymmetrical Luminaire Types	
Type I, II, III, IV	B1 U3 G4
Quadrilateral Symmetrical Luminaire Types	
Type V, Area Light	B1 U3 G4

* Backlight, Uplight, Glare

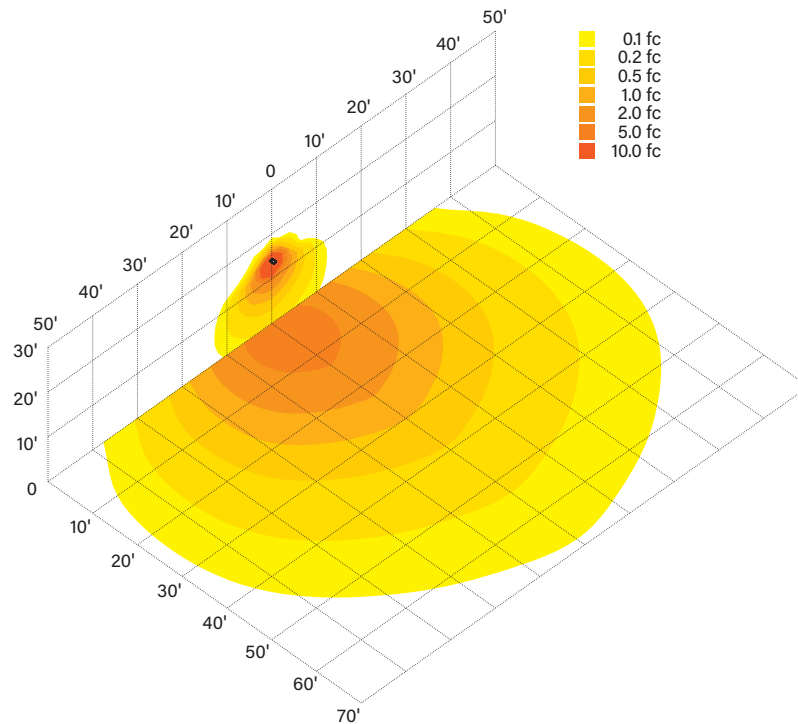
MOUNTING

Side view



LIGHT DISTRIBUTION PATTERN

Isometric view from above; Luminaire mounted at 15'

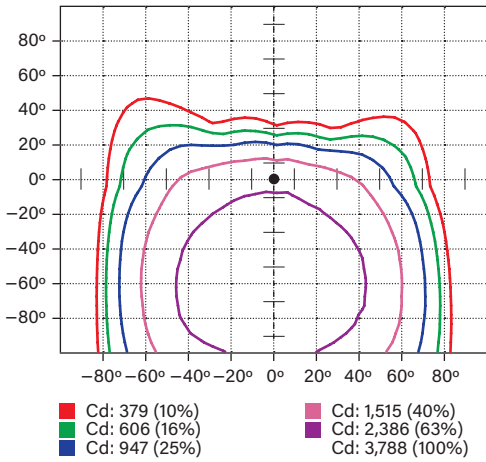


KT-WPLEDXX-X1-8CSB-VDIM-X

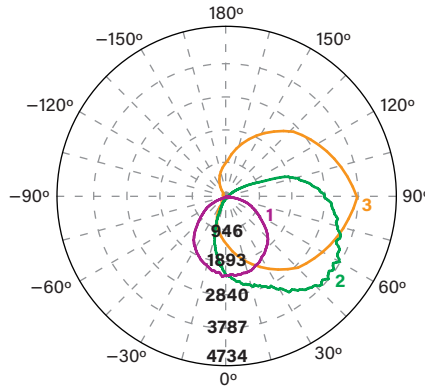
TRADITIONAL LED WALL PACK

PHOTOMETRIC SPECIFICATIONS (CONTINUED)

KT-WPLED80-M1-8CSB-VDIM-X
ISOCANDELA PLOT



LUMINOUS INTENSITY DISTRIBUTION



Average diffuse angle (50%): 111.4°

- 1 Violet C0 - C180
- 2 Green C90 - C270
- 3 Orange G51

Unit: cd

FLUX DISTRIBUTION

Zone	Lumens	% Luminaire
Forward Light	8,671 lm	79.6%
0°-30°	1,281 lm	11.8%
30°-60°	3,696 lm	33.9%
60°-80°	2,660 lm	24.4%
80°-90°	1,035 lm	9.5%
Back Light	1,029 lm	9.5%
0°-30°	409 lm	3.8%
30°-60°	471 lm	4.3%
60°-80°	126 lm	1.2%
80°-90°	23 lm	0.2%
Up Light	1,195 lm	11.0%
90°-100°	551 lm	5.1%
100°-180°	644 lm	5.9%

BUG* Rating

Asymmetrical Luminaire Types

Type I, II, III, IV	B1 U4 G5
---------------------	----------

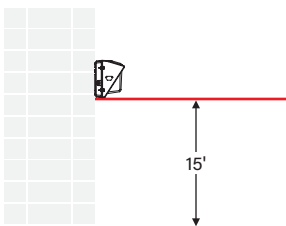
Quadrilateral Symmetrical Luminaire Types

Type V, Area Light	B1 U4 G5
--------------------	----------

* Backlight, Uplight, Glare

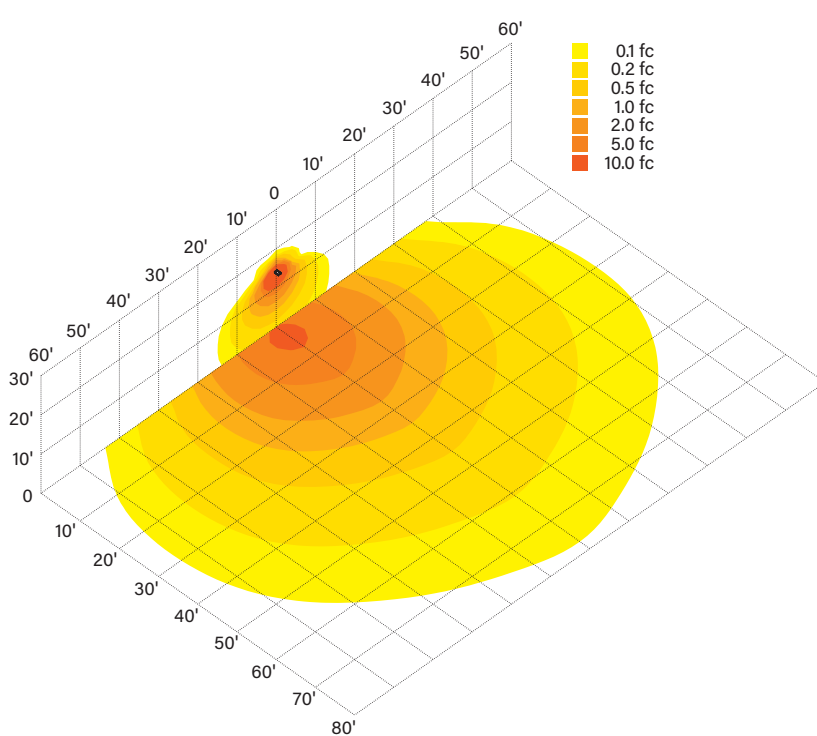
MOUNTING

Side view



LIGHT DISTRIBUTION PATTERN

Isometric view from above; Luminaire mounted at 15'

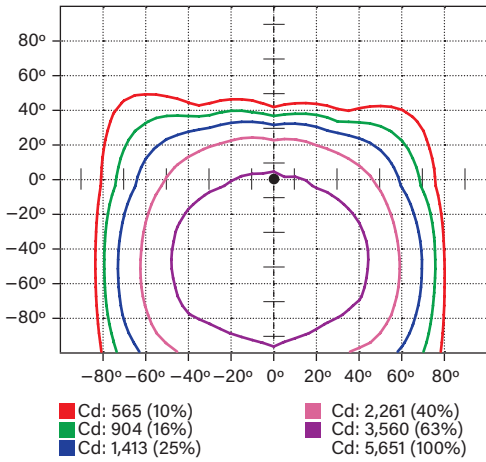


KT-WPLEDXX-X1-8CSB-VDIM-X

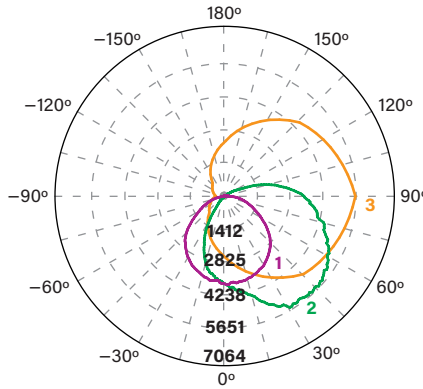
TRADITIONAL LED WALL PACK

PHOTOMETRIC SPECIFICATIONS (CONTINUED)

KT-WPLED120-L1-8CSB-VDIM-X
ISOCANDELA PLOT



LUMINOUS INTENSITY DISTRIBUTION



Average diffuse angle (50%): **112.3°**

- 1 Violet C0 – C180
- 2 Green C90 – C270
- 3 Orange G46

Unit: cd

FLUX DISTRIBUTION

Zone	Lumens	% Luminaire
Forward Light	11,932 lm	71.6%
0°-30°	1,998 lm	12.0%
30°-60°	5,312 lm	31.9%
60°-80°	3,365 lm	20.2%
80°-90°	1,257 lm	7.5%
Back Light	2,803 lm	17.0%
0°-30°	1,280 lm	7.7%
30°-60°	1,273 lm	7.6%
60°-80°	250 lm	1.5%
80°-90°	39 lm	0.2%
Up Light	1,877 lm	11.3%
90°-100°	899 lm	5.4%
100°-180°	979 lm	5.9%

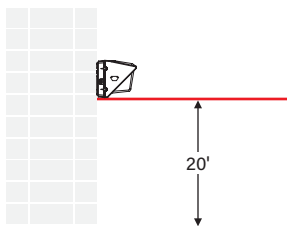
BUG* Rating

Asymmetrical Luminaire Types	
Type I, II, III, IV	B3 U4 G5
Quadrilateral Symmetrical Luminaire Types	
Type V, Area Light	B3 U4 G5

* Backlight, Uplight, Glare

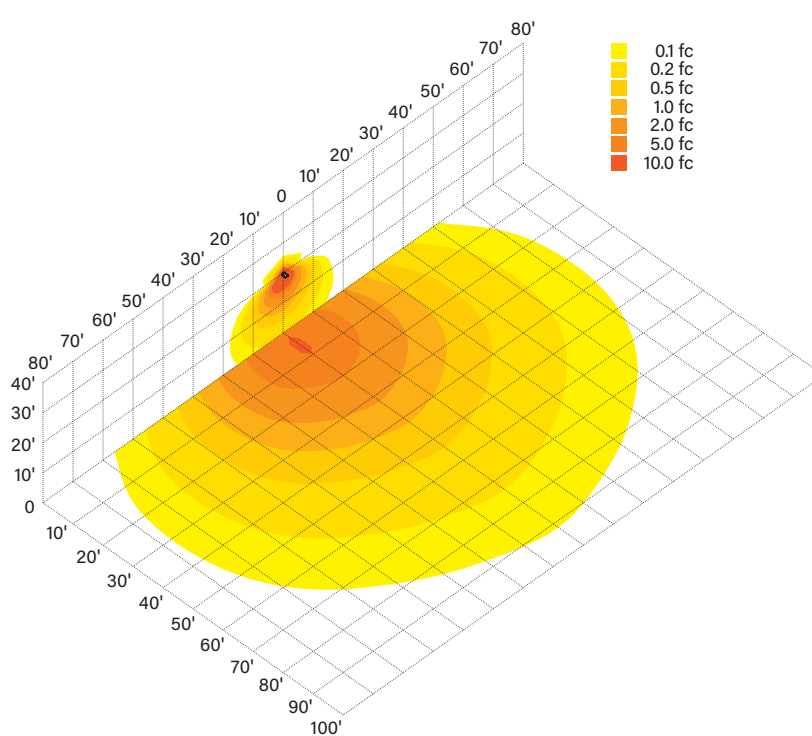
MOUNTING

Side view



LIGHT DISTRIBUTION PATTERN

Isometric view from above; Luminaire mounted at 20'



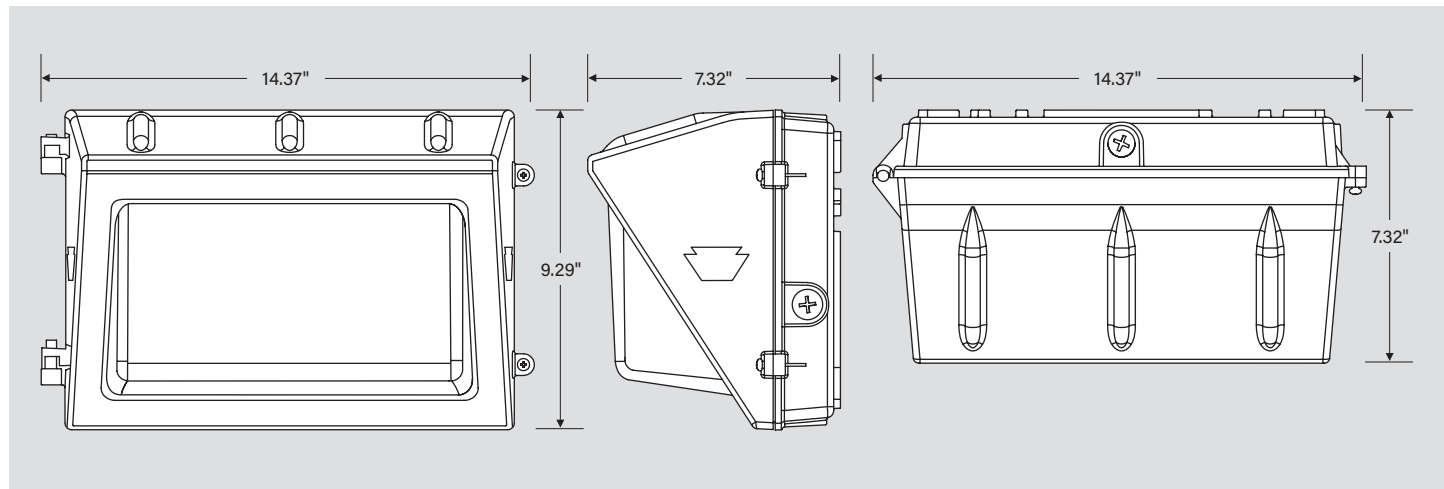


KT-WPLEDXX-X1-8CSB-VDIM-X

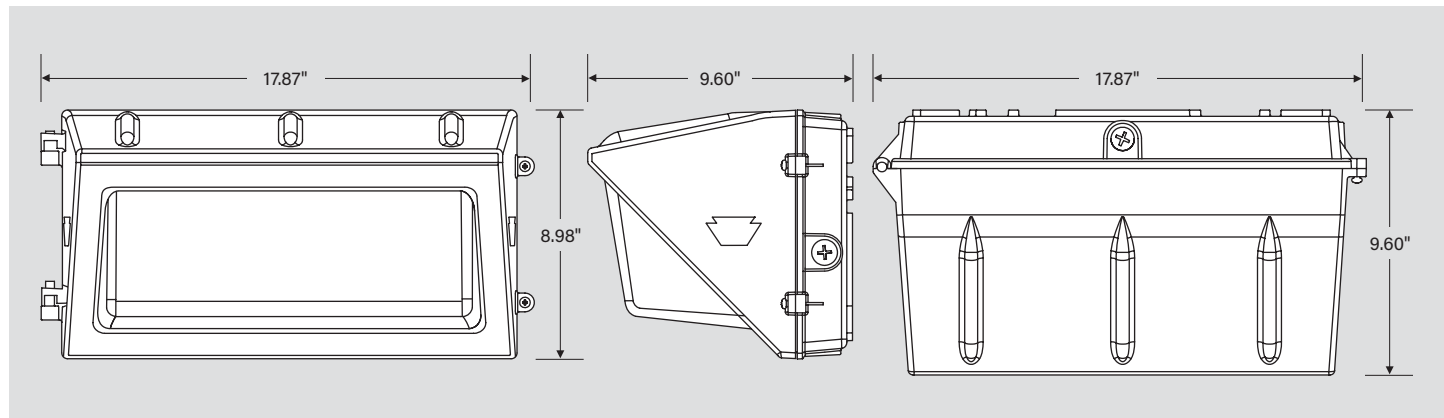
TRADITIONAL LED WALL PACK

PHYSICAL SPECIFICATIONS

KT-WPLEDXX-M1-8CSB-VDIM-X



KT-WPLED120-L1-8CSB-VDIM-X



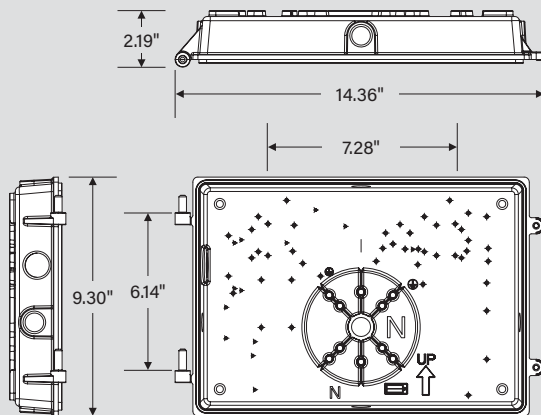


KT-WPLEDXX-X1-8CSB-VDIM-X

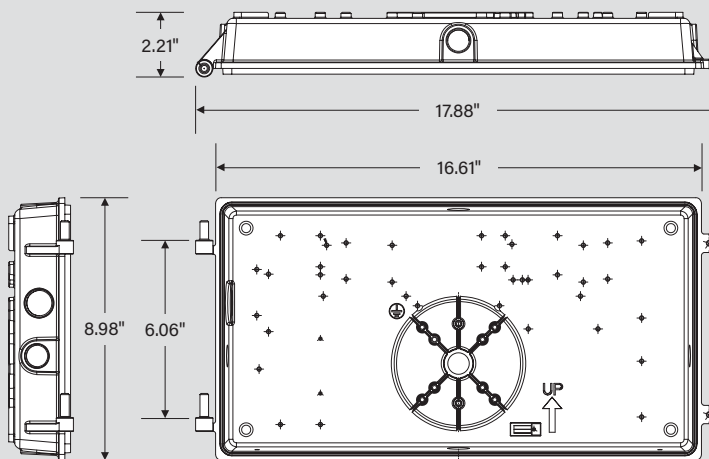
TRADITIONAL LED WALL PACK

PHYSICAL SPECIFICATIONS (CONTINUED)

MEDIUM BACKPLATE (35/55/80W)



LARGE BACKPLATE (120W)



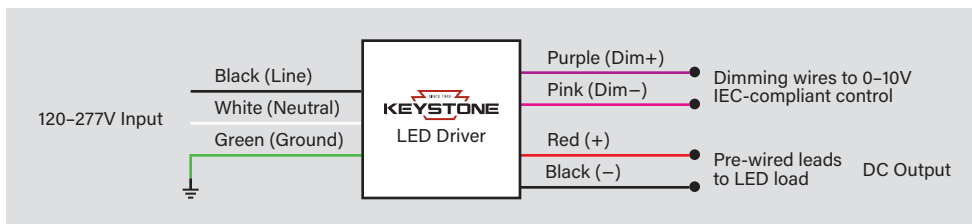


KT-WPLEDXX-X1-8CSB-VDIM-X

TRADITIONAL LED WALL PACK

GENERAL SETUP INSTRUCTIONS

GENERAL WIRING DIAGRAM



Caution: Before installing, make certain that AC power to the fixture is off.

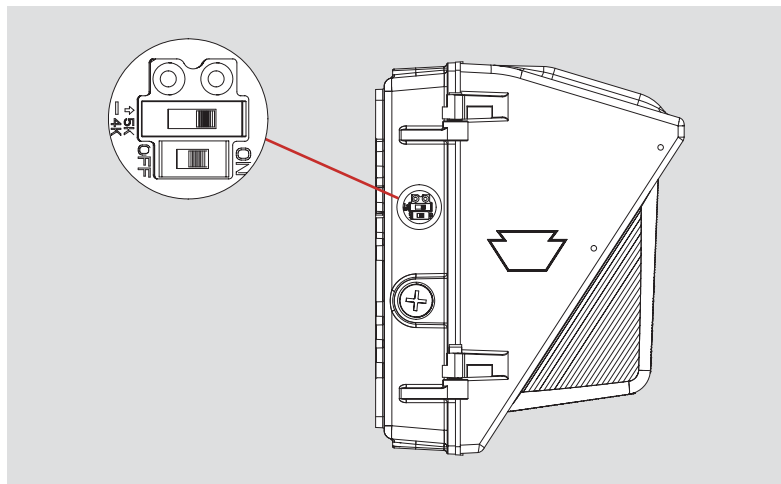
Caution: The electrical rating of this product is 120-277V. Installer must confirm that there is 120-277V at the fixture before installation.

PHOTOCELL ENABLE / DISABLE

This fixture is equipped with a dusk-to-dawn photocell behind the translucent knock-out (KO) cover. Adjust the dip switch to enable (ON) or disable (OFF) the photocell function (see illustrations to the right). Fixture comes pre-set with photocell enabled unless otherwise noted.

COLOR SELECT (CCT) ADJUSTMENT

This fixture is equipped with Color Select technology. There is an adjustable dip switch behind the translucent knock-out (KO) cover to change CCT between 5000K, 4000K, and 3000K (see illustrations to the right). Fixture comes preset at 5000K unless otherwise noted.





KT-WPLEDXX-X1-8CSB-VDIM-X

TRADITIONAL LED WALL PACK

ACCESSORIES

SENSORS

Factory-Installable OR Field-Installable (field-installable purchased separately)

✓	SUFFIX*	CATALOG NUMBER	DESCRIPTION	UPC	EASY CODE
	/MW3	KTS-MW3-UV-KO-K1	Microwave Sensor Kit, Includes 120-277V input to 12V DC convertor & 12V input sensor head, IP65. Bi-Level Control with Adjustable Hold Time, Dim Level and Standby Time. Installs via standard 1/2in KO	843654134147	BKG-51

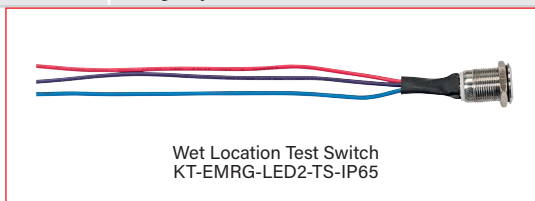


* For factory installation of accessory, add suffix to fixture part number (see ordering examples and instructions on last page of spec sheet).

EMERGENCY BACKUP

Factory-Installable OR Field-Installable (field-installable purchased separately)

✓	SUFFIX*	CATALOG NUMBER	DESCRIPTION	UPC	EASY CODE
	/EM12	KT-EMRG-LED-12C-1200	LED Emergency Back-Up, 12W Constant Wattage Design. Approx 1200 Lumens. 120-277V Input. Remote Compact Battery Pack. CEC T20 Compliant.	843654103112	OJQ-32
	-	KT-EMRG-LED2-TS-IP65	IP65 Rated Wet Location Test Switch for 5W and 12W CEC Compliant LED Emergency Packs	843654130019	MDB-29

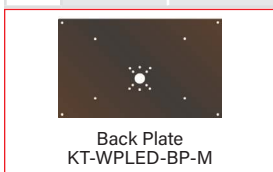


* For factory installation of accessory, add suffix to fixture part number (see ordering examples and instructions on last page of spec sheet).
† Factory installation of emergency backup units will automatically include any relevant mounting bracket.

MOUNTS AND BRACKETS

Field-Installable / Field-Use ONLY (purchased separately)

✓	SUFFIX*	CATALOG NUMBER	DESCRIPTION	UPC	EASY CODE
	-	KT-WPLED-BP-M	Back Plate for Medium Size Wallpacks, Covers Legacy Style Large HID Housing Dimensions. Standard Bronze Color.	843654130613	CCJ-21



* For factory installation of accessory, add suffix to fixture part number (see ordering examples and instructions on last page of spec sheet).

(Accessories continued on next page)


XFIT


KT-WPLEDXX-X1-8CSB-VDIM-X

TRADITIONAL LED WALL PACK

ACCESSORIES (CONTINUED)

SURGE PROTECTORS

Factory-Installable OR Field-Installable (field-installable purchased separately)

✓	SUFFIX*	CATALOG NUMBER	DESCRIPTION	UPC	EASY CODE
	/10KV	KTSP-10KV-C	External Surge Protector, compact design. Parallel Wiring, 120-277V Input, Max Peak Protection (10KV, 10KA)	843654129204	BUU-26



* For factory installation of accessory, add suffix to fixture part number (see ordering examples and instructions on last page of spec sheet).

