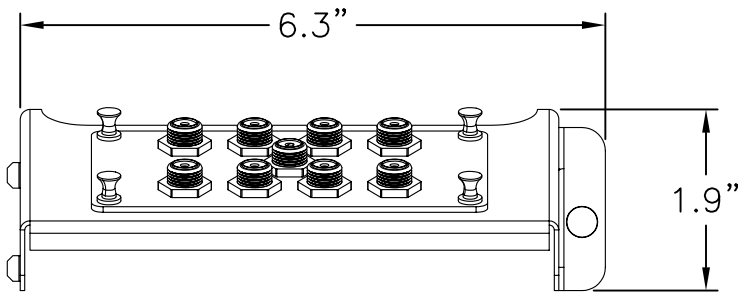
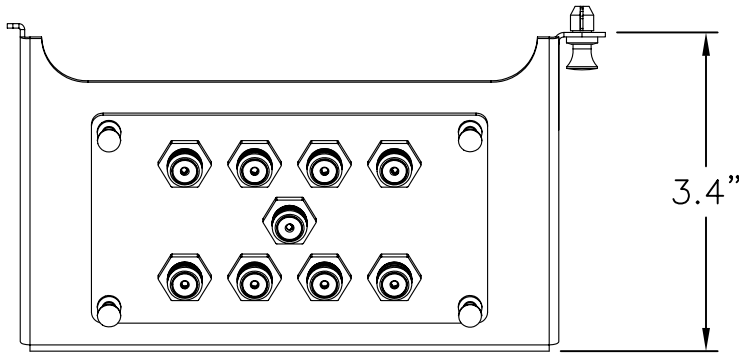
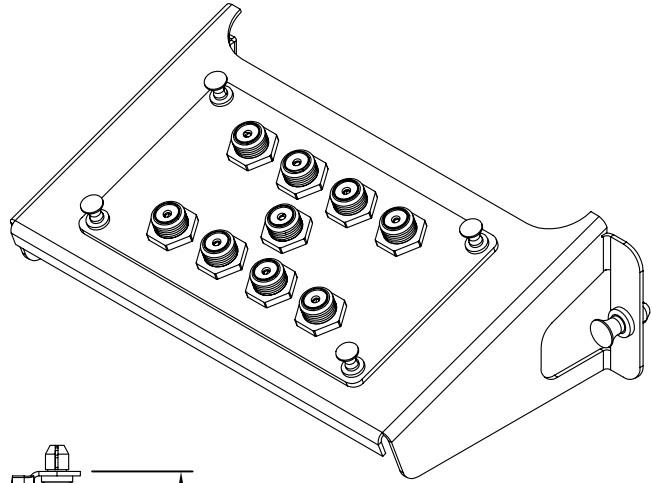


2

1

NOTES:

- 1. NOMINAL IMPEDANCE: 75 ohms
- 2. F-CONNECTOR TYPE: ANSI/SCTE COMPLIANT SEALED BRASS
- 3. POWER REQUIREMENTS: NONE
- 4. INPUT CONNECTIONS: 1
- 5. OUTPUT CONNECTIONS: 8
- 6. OPERATING TEMPERATURE: -40° TO 60°C
- 7. INSERTION LOSS: 11dB



B

B

A

A

PROPRIETARY AND CONFIDENTIAL  
 THE INFORMATION CONTAINED  
 IN THIS DRAWING IS THE SOLE  
 PROPERTY OF On-Q/LEGRAND.  
 ANY REPRODUCTION IN PART OR  
 AS A WHOLE WITHOUT THE WRITTEN  
 PERMISSION OF On-Q/LEGRAND  
 IS PROHIBITED. DRAWING IS SUBJECT  
 TO CHANGE WITHOUT NOTICE.

**on·Q**

**legrand**

P.O. Box 60907  
 Middletown, PA 17106-0907  
 1-800-321-2343

TITLE:

**1 X 8 ENHANCED PASSIVE VIDEO  
 SPLITTER/COMBINER**

SIZE <b>A</b>	DWG NO <b>VM1002</b>	FILE NAME <b>CD-VM1002</b>	CUST REV <b>1</b>
REVISED DATE 11/06/07	SCALE <b>NONE</b>	SHEET <b>1 OF 1</b>	

2

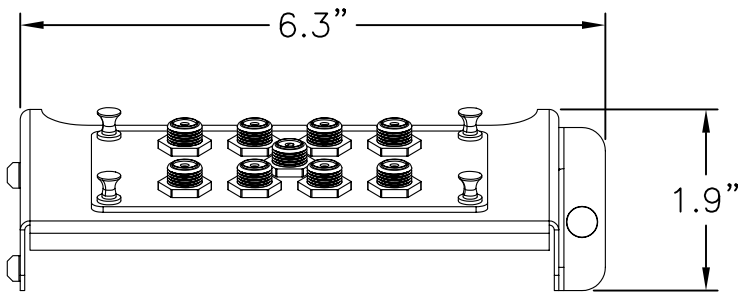
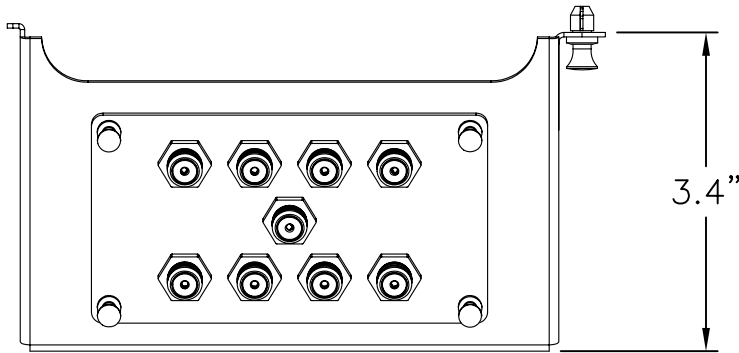
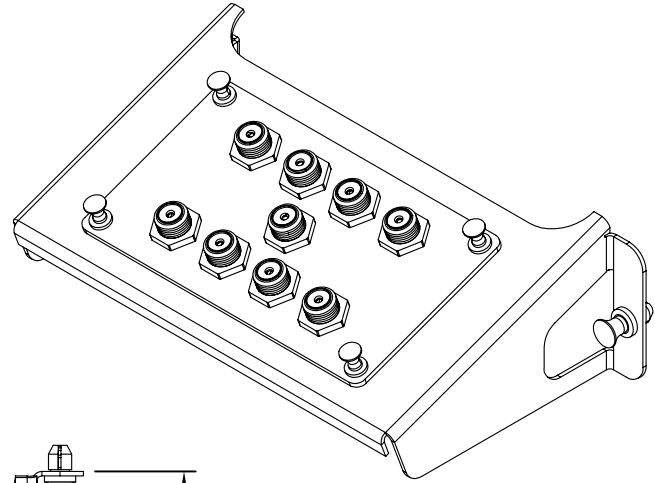
1

2

1

NOTES:

- 1. NOMINAL IMPEDANCE: 75 ohms
- 2. F-CONNECTOR TYPE: ANSI/SCTE COMPLIANT SEALED BRASS
- 3. POWER REQUIREMENTS: NONE
- 4. INPUT CONNECTIONS: 1
- 5. OUTPUT CONNECTIONS: 8
- 6. OPERATING TEMPERATURE: -40° TO 60°C
- 7. INSERTION LOSS: 11dB



B

B

A

A

PROPRIETARY AND CONFIDENTIAL  
 THE INFORMATION CONTAINED  
 IN THIS DRAWING IS THE SOLE  
 PROPERTY OF On-Q/LEGRAND.  
 ANY REPRODUCTION IN PART OR  
 AS A WHOLE WITHOUT THE WRITTEN  
 PERMISSION OF On-Q/LEGRAND  
 IS PROHIBITED. DRAWING IS SUBJECT  
 TO CHANGE WITHOUT NOTICE.

**on·Q**

**legrand**

P.O. Box 60907  
 Middletown, PA 17106-0907  
 1-800-321-2343

TITLE:

**1 X 8 ENHANCED PASSIVE VIDEO  
 SPLITTER/COMBINER**

SIZE <b>A</b>	DWG NO VM1002	FILE NAME CD-VM1002	CUST REV 1
REVISED DATE 11/06/07	SCALE NONE	SHEET 1 OF 1	

2

1