



MILBANK[®]
ENERGY AT WORK

U6281-XL-200-5T9

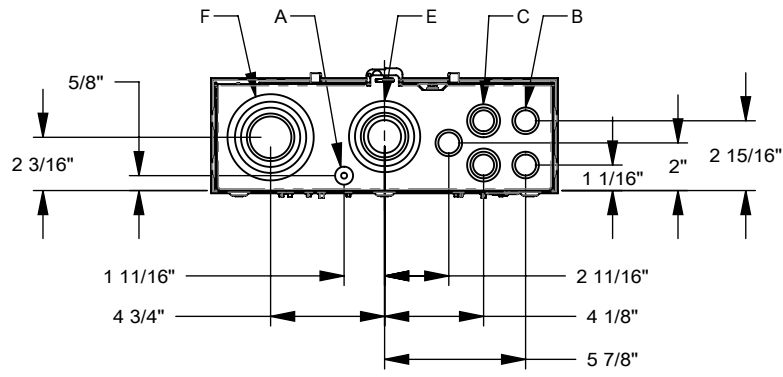
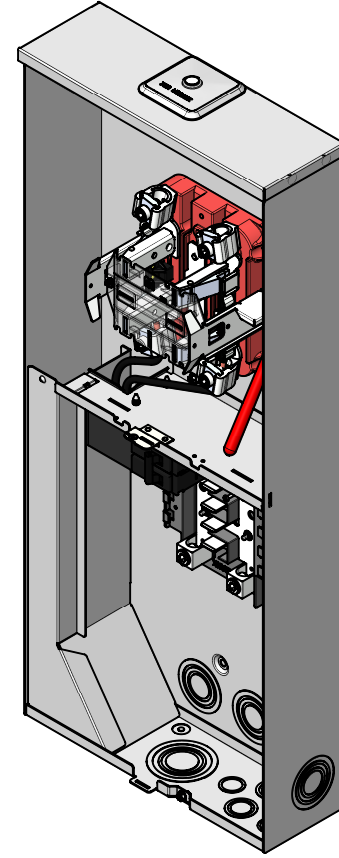
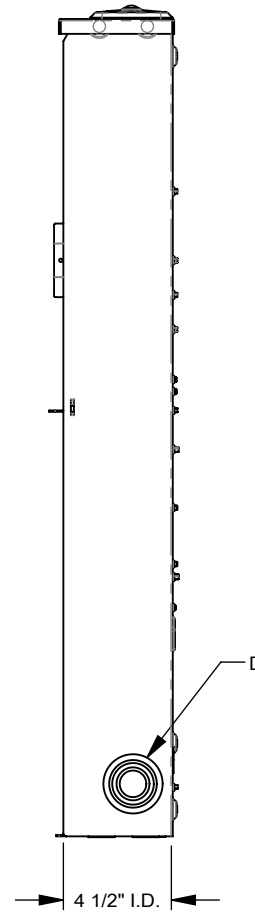
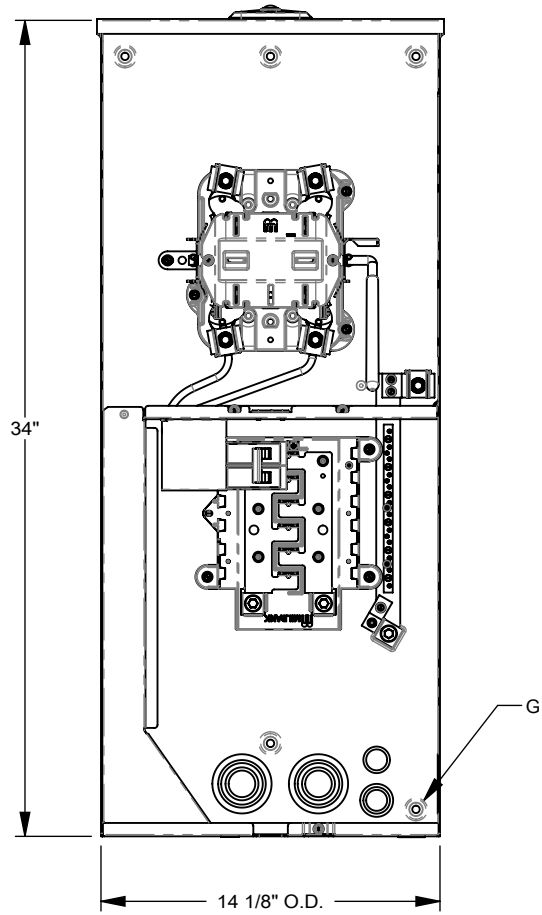


Catalog Number	U6281-XL-200-5T9
Marketing Product Description	5 Terminal Ringless Small Closing Plate Lever Bypass 1-200 Ampere Main Breaker 8 Branch Circuit 5th Terminal 9 O'clock Position
UPC	784572771451
Length (IN)	4.5
Width (IN)	14.125
Height (IN)	34
Brand Name	Milbank
Type	Ringless Meter Socket
Application	Meter Socket With Main And Load Center
Standard	UL Listed;Type 3R
Voltage Rating	Up to 240 Volts Alternating Current
Amperage Rating	200 Continuous Ampere
Phase	1 Phase
Frequency Rating	60 Hertz
Size	4.5L x 14.125W x34H
Number Of Cutouts	1
Cutout Size	One 200 Ampere Main Breaker
Cable Entry	Overhead or Underground
Terminal	Lay in

Insulation	Glass Polyester
Mounting	Surface Mount
Enclosure	G90 Galvanized Steel with Powder Coat Finish
Jaw Quantity	5 Terminal
Bypass Type	Lever Bypass
Number of Meter Positions	1 Position
Equipment Ground	Ground Bar
Hub Opening	Small Closing Plate
Line Side Wire Range	6 AWG - 350 kcmil
Load Side Wire Range	6 AWG - 350 kcmil
Number Branch Circuits	8
Number Of Receptacles	0

Please consult serving utility for their requirements prior to ordering or installing, as specifications and approvals vary by utility and may require local electrical inspector approval. All installations must be installed by a licensed electrician and must comply with all national and local codes, laws and regulations. Milbank reserves the right to make changes in specifications and features shown without notice or obligation.

FEATURE TABLE		
ITEM	QTY	DESCRIPTION
A	2	1/4, 1/2 CONC. K.O.
B	2	1/2, 3/4 CONC. K.O.
C	3	1/2, 3/4, 1 CONC. K.O.
D	3	3/4, 1, 1 1/4, 1 1/2, 2 CONC. K.O.
E	1	1, 1 1/4, 1 1/2, 2, 2 1/2 CONC. K.O.
F	1	1 1/4, 1 1/2, 2, 2 1/2, 3 CONC. K.O.
G	4	U/L MNTG.EMBOSS



Version:

1

All dimensions are +/- 1/16".
Drawing views are not to scale.

Please consult serving utility for their requirements prior to ordering or installing, as specifications and approvals vary by utility, and may require local electrical inspector approval. All installations must be installed by a licensed electrician and must comply with all national and local codes, laws and regulations. Milbank reserves the right to make changes in specifications and features shown without notice or obligation.



MILBANK
ENERGY AT WORK

U6281-XL-200-5T9

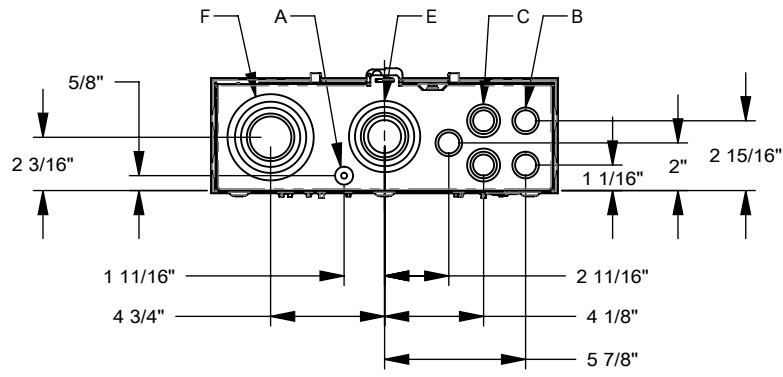
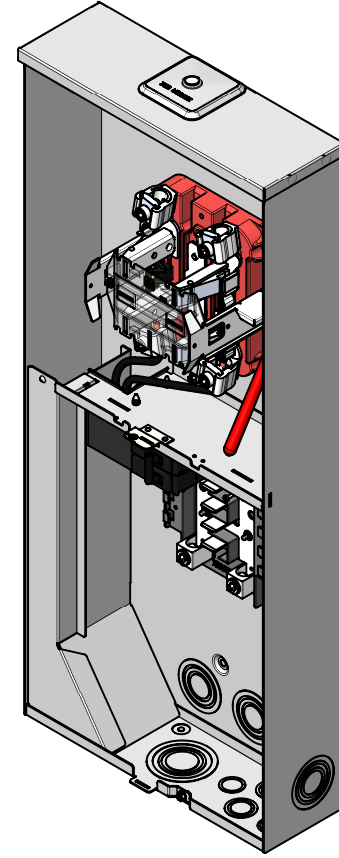
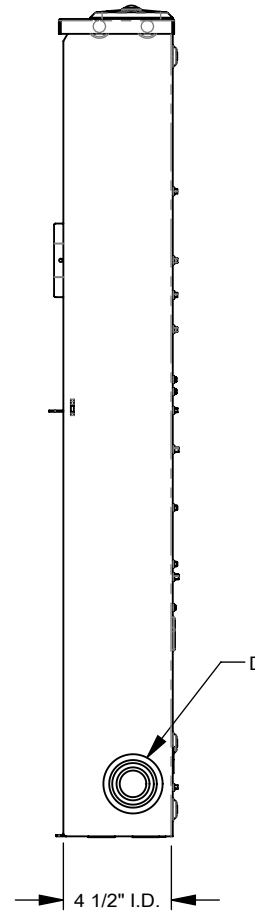
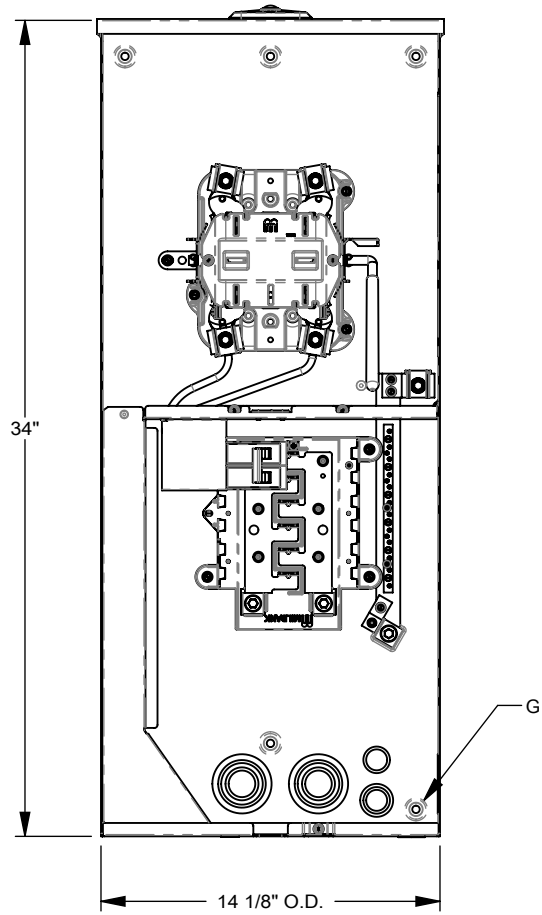


Catalog Number	U6281-XL-200-5T9
Marketing Product Description	5 Terminal Ringless Small Closing Plate Lever Bypass 1-200 Ampere Main Breaker 8 Branch Circuit 5th Terminal 9 O'clock Position
UPC	784572771451
Length (IN)	4.5
Width (IN)	14.125
Height (IN)	34
Brand Name	Milbank
Type	Ringless Meter Socket
Application	Meter Socket With Main And Load Center
Standard	UL Listed;Type 3R
Voltage Rating	Up to 240 Volts Alternating Current
Amperage Rating	200 Continuous Ampere
Phase	1 Phase
Frequency Rating	60 Hertz
Size	4.5L x 14.125W x34H
Number Of Cutouts	1
Cutout Size	One 200 Ampere Main Breaker
Cable Entry	Overhead or Underground
Terminal	Lay in

Insulation	Glass Polyester
Mounting	Surface Mount
Enclosure	G90 Galvanized Steel with Powder Coat Finish
Jaw Quantity	5 Terminal
Bypass Type	Lever Bypass
Number of Meter Positions	1 Position
Equipment Ground	Ground Bar
Hub Opening	Small Closing Plate
Line Side Wire Range	6 AWG - 350 kcmil
Load Side Wire Range	6 AWG - 350 kcmil
Number Branch Circuits	8
Number Of Receptacles	0

Please consult serving utility for their requirements prior to ordering or installing, as specifications and approvals vary by utility and may require local electrical inspector approval. All installations must be installed by a licensed electrician and must comply with all national and local codes, laws and regulations. Milbank reserves the right to make changes in specifications and features shown without notice or obligation.

FEATURE TABLE		
ITEM	QTY	DESCRIPTION
A	2	1/4, 1/2 CONC. K.O.
B	2	1/2, 3/4 CONC. K.O.
C	3	1/2, 3/4, 1 CONC. K.O.
D	3	3/4, 1, 1 1/4, 1 1/2, 2 CONC. K.O.
E	1	1, 1 1/4, 1 1/2, 2, 2 1/2 CONC. K.O.
F	1	1 1/4, 1 1/2, 2, 2 1/2, 3 CONC. K.O.
G	4	U/L MNTG.EMBOSS



Version:

1

All dimensions are +/- 1/16".
Drawing views are not to scale.

Please consult serving utility for their requirements prior to ordering or installing, as specifications and approvals vary by utility, and may require local electrical inspector approval. All installations must be installed by a licensed electrician and must comply with all national and local codes, laws and regulations. Milbank reserves the right to make changes in specifications and features shown without notice or obligation.