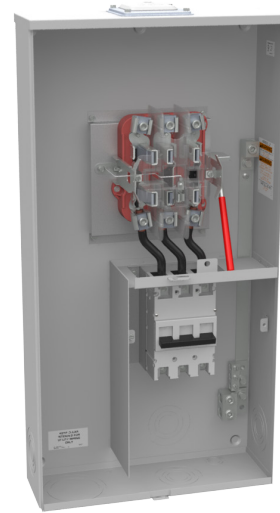




U5750-RXL-200-BL

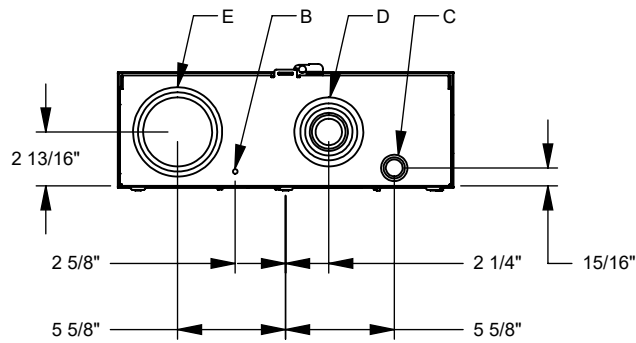
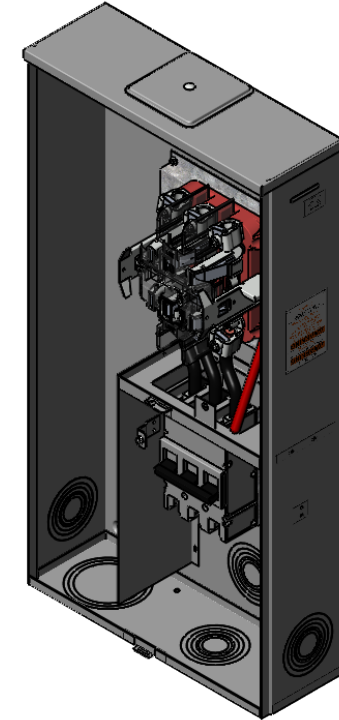
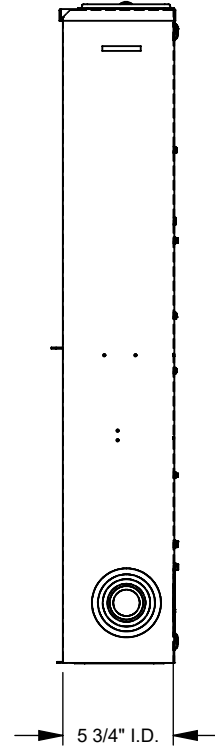
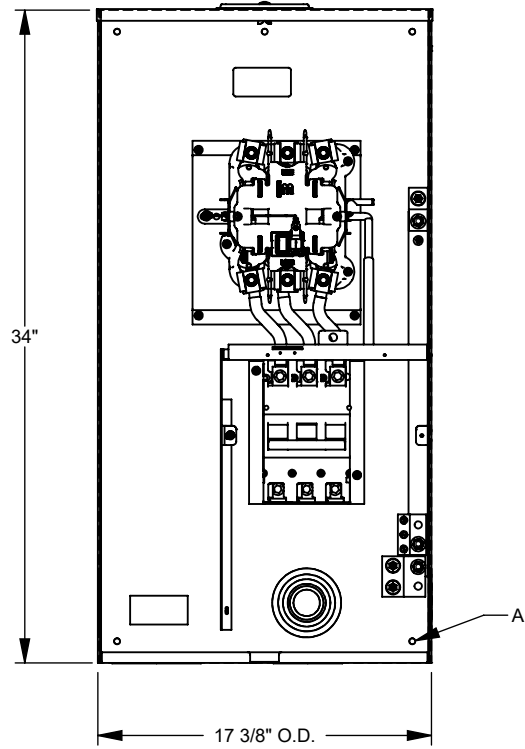


Catalog Number	U5750-RXL-200-BL
Marketing Product Description	7 Terminal Ringless Large Hub Open Adapt To Small Closing Plate Lever Bypass 1-200 Ampere Main Breaker 9-16-In Barrel Lock With Bracket Provision
UPC	784572324930
Length (IN)	5.75
Width (IN)	17.375
Height (IN)	34
Brand Name	Milbank
Type	Ringless Meter Socket
Application	Meter Socket With Main
Standard	UL Listed;Type 3R
Voltage Rating	Up to 240 Volts Alternating Current
Amperage Rating	200 Continuous Ampere
Phase	3 Phase
Frequency Rating	60 Hertz
Size	5.75L x 17.375W x 34H
Number Of Cutouts	1
Cutout Size	One 200 Ampere Main Breaker
Cable Entry	Overhead or Underground
Terminal	Lay in

Insulation	Glass Polyester
Mounting	Surface Mount
Enclosure	G90 Galvanized Steel with Powder Coat Finish
Jaw Quantity	7 Terminal
Bypass Type	Lever Bypass
Number of Meter Positions	1 Position
Equipment Ground	3 Barrel Ground Lug
Hub Opening	Large Hub Opening Adapted to Small Closing Plate
Line Side Wire Range	6 AWG - 350 kcmil
Load Side Wire Range	1 AWG - 300 kcmil
Barrel Lock Provision	9/16 Inch Knockout and Angle Bracket for Barrel Lock Provision
Number Of Receptacles	0

Please consult serving utility for their requirements prior to ordering or installing, as specifications and approvals vary by utility and may require local electrical inspector approval. All installations must be installed by a licensed electrician and must comply with all national and local codes, laws and regulations. Milbank reserves the right to make changes in specifications and features shown without notice or obligation.

FEATURE TABLE		
ITEM	QTY	DESCRIPTION
A	6	U/L MNTG.EMBOSS
B	1	¼ SOLID K.O.
C	1	½, ¾, 1 CONC. K.O.
D	4	1, 1¼, 1½, 2, 2½ CONC. K.O.
E	1	3, 3½, 4 CONC. K.O.



Version:

1

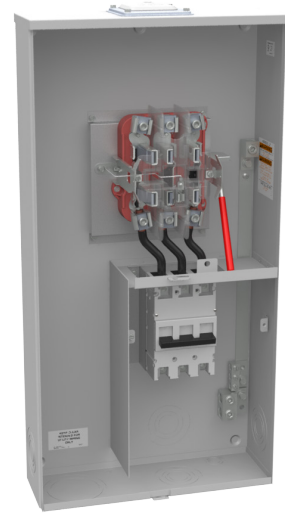
**All dimensions are +/- 1/16".
Drawing views are not to scale.**

Please consult serving utility for their requirements prior to ordering or installing, as specifications and approvals vary by utility, and may require local electrical inspector approval. All installations must be installed by a licensed electrician and must comply with all national and local codes, laws and regulations. Milbank reserves the right to make changes in specifications and features shown without notice or obligation.



MILBANK
ENERGY AT WORK

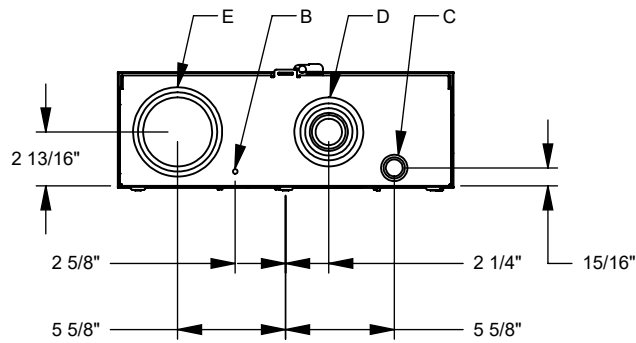
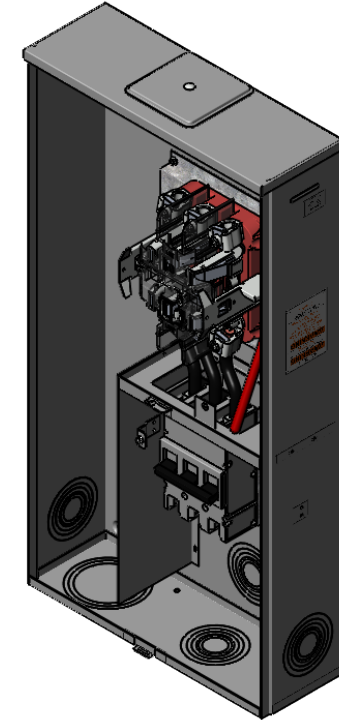
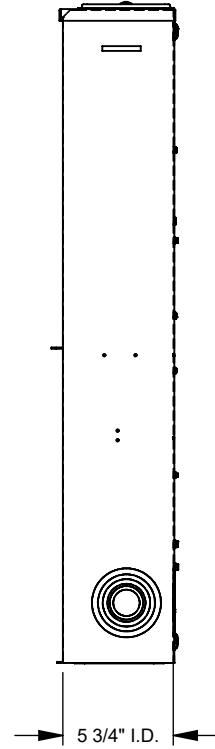
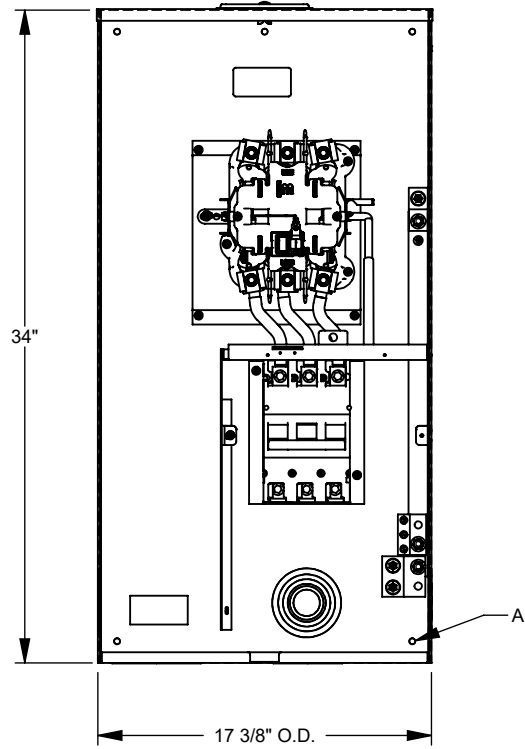
U5750-RXL-200-BL



Catalog Number	U5750-RXL-200-BL	Insulation	Glass Polyester
Marketing Product Description	7 Terminal Ringless Large Hub Open Adapt To Small Closing Plate Lever Bypass 1-200 Ampere Main Breaker 9-16-In Barrel Lock With Bracket Provision	Mounting	Surface Mount
UPC	784572324930	Enclosure	G90 Galvanized Steel with Powder Coat Finish
Length (IN)	5.75	Jaw Quantity	7 Terminal
Width (IN)	17.375	Bypass Type	Lever Bypass
Height (IN)	34	Number of Meter Positions	1 Position
Brand Name	Milbank	Equipment Ground	3 Barrel Ground Lug
Type	Ringless Meter Socket	Hub Opening	Large Hub Opening Adapted to Small Closing Plate
Application	Meter Socket With Main	Line Side Wire Range	6 AWG - 350 kcmil
Standard	UL Listed;Type 3R	Load Side Wire Range	1 AWG - 300 kcmil
Voltage Rating	Up to 240 Volts Alternating Current	Barrel Lock Provision	9/16 Inch Knockout and Angle Bracket for Barrel Lock Provision
Amperage Rating	200 Continuous Ampere	Number Of Receptacles	0
Phase	3 Phase		
Frequency Rating	60 Hertz		
Size	5.75L x 17.375W x 34H		
Number Of Cutouts	1		
Cutout Size	One 200 Ampere Main Breaker		
Cable Entry	Overhead or Underground		
Terminal	Lay in		

Please consult serving utility for their requirements prior to ordering or installing, as specifications and approvals vary by utility and may require local electrical inspector approval. All installations must be installed by a licensed electrician and must comply with all national and local codes, laws and regulations. Milbank reserves the right to make changes in specifications and features shown without notice or obligation.

FEATURE TABLE		
ITEM	QTY	DESCRIPTION
A	6	U/L MNTG.EMBOSS
B	1	¼ SOLID K.O.
C	1	½, ¾, 1 CONC. K.O.
D	4	1, 1¼, 1½, 2, 2½ CONC. K.O.
E	1	3, 3½, 4 CONC. K.O.



Version:

1

All dimensions are +/- 1/16".
Drawing views are not to scale.

Please consult serving utility for their requirements prior to ordering or installing, as specifications and approvals vary by utility, and may require local electrical inspector approval. All installations must be installed by a licensed electrician and must comply with all national and local codes, laws and regulations. Milbank reserves the right to make changes in specifications and features shown without notice or obligation.