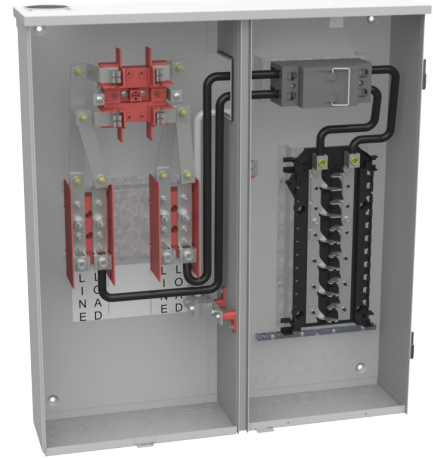




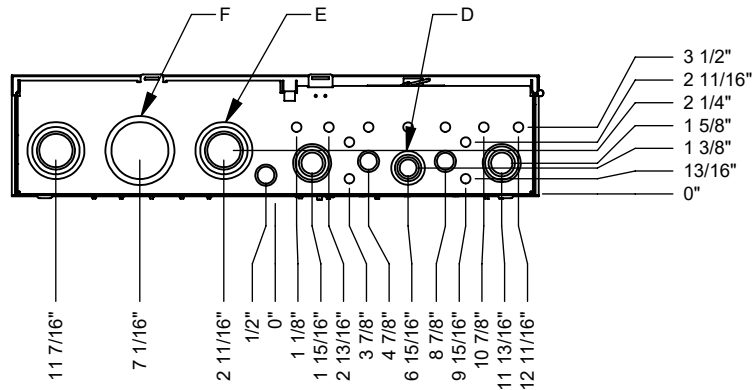
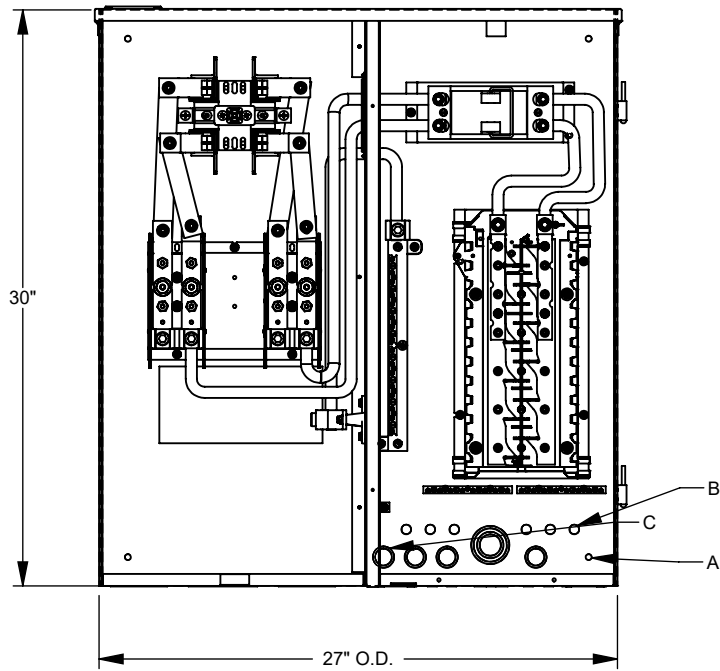
MILBANK
ENERGY AT WORK

U224MTBPL



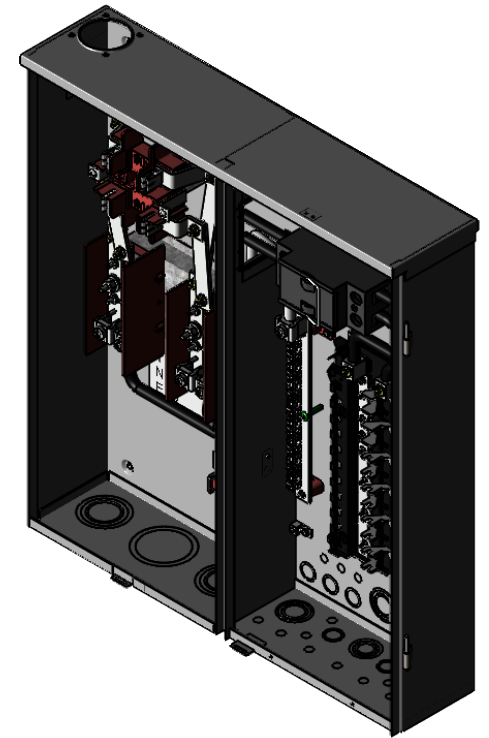
Catalog Number	U224MTBPL	Insulation	Fiberglass with Resin
Marketing Product Description	4 Terminal Ring Type 2 Small Closing Plate Test Block Bypass 1-200 Ampere Main Pullout 16 Branch Circuit	Mounting	Surface Mount
UPC	784572178816	Enclosure	G90 Galvanized Steel with Powder Coat Finish
Length (IN)	6	Jaw Quantity	4 Terminal
Width (IN)	27	Bypass Type	Test Block Bypass
Height (IN)	30	Number of Meter Positions	1 Position
Brand Name	Milbank	Equipment Ground	Ground Lug
Type	Ring Type Meter Socket	Hub Opening	Twin Small Closing Plates
Application	Meter Socket With Main And Load Center	Line Side Wire Range	6 AWG - 250 kcmil
Standard	UL Listed;Type 3R	Number Of Receptacles	0
Voltage Rating	Up to 240 Volts Alternating Current		
Amperage Rating	200 Continuous Ampere		
Phase	1 Phase		
Frequency Rating	60 Hertz		
Size	6L x 27W x 30H		
Number Of Cutouts	1		
Cutout Size	One 200 Ampere Main Fuse Pull Out Switch		
Cable Entry	Overhead or Underground		
Terminal	Single Mechanical		

Please consult serving utility for their requirements prior to ordering or installing, as specifications and approvals vary by utility and may require local electrical inspector approval. All installations must be installed by a licensed electrician and must comply with all national and local codes, laws and regulations. Milbank reserves the right to make changes in specifications and features shown without notice or obligation.



FEATURE TABLE

ITEM	QTY	DESCRIPTION
A	4	STD. MNTG. EMBOSS
B	17	1/2 SOLID K.O.
C	7	1/2, 3/4 CONC. K.O.
D	3	3/4, 1, 1 1/4, 1 1/2 CONC. K.O.
E	2	1, 1 1/4, 1 1/2, 2, 2 1/2 CONC. K.O.
F	1	2, 2 1/2, 3 CONC. K.O.



MILBANK
ENERGY AT WORK

Version:

1

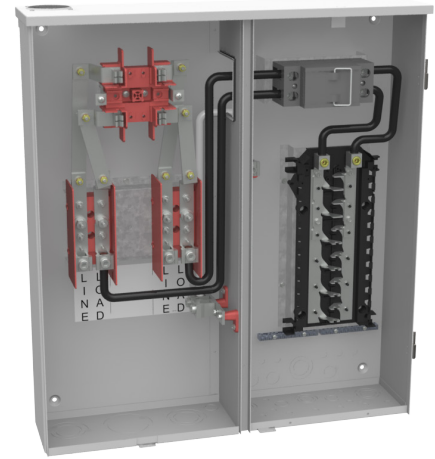
**All dimensions are +/- 1/16".
Drawing views are not to scale.**

Please consult serving utility for their requirements prior to ordering or installing, as specifications and approvals vary by utility, and may require local electrical inspector approval. All installations must be installed by a licensed electrician and must comply with all national and local codes, laws and regulations. Milbank reserves the right to make changes in specifications and features shown without notice or obligation.



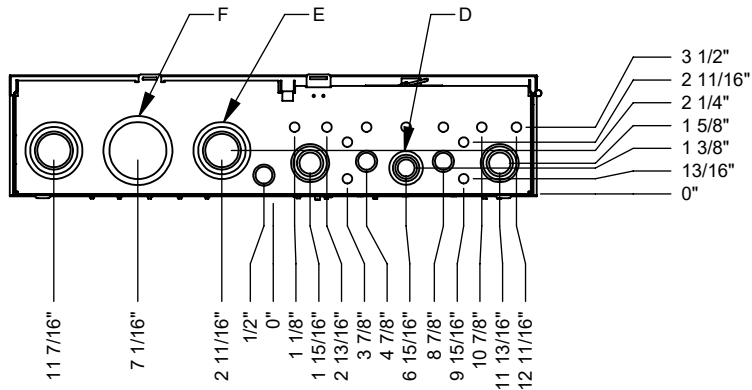
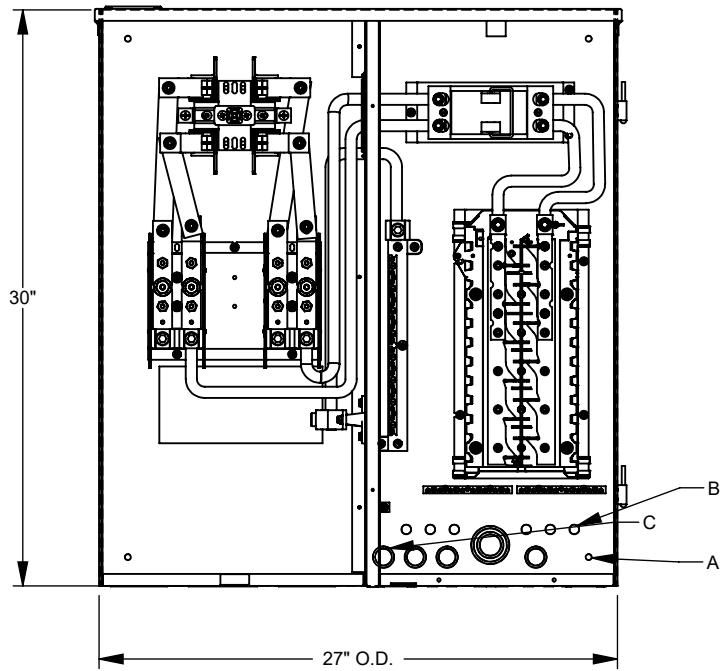
MILBANK
ENERGY AT WORK

U224MTBPL

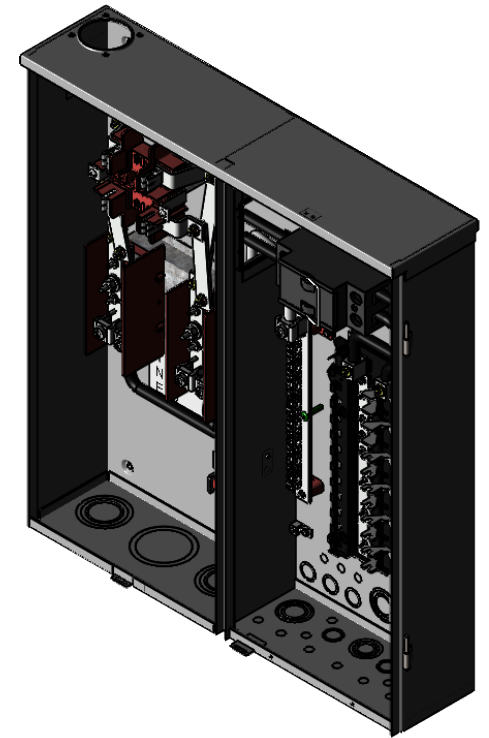


Catalog Number	U224MTBPL	Insulation	Fiberglass with Resin
Marketing Product Description	4 Terminal Ring Type 2 Small Closing Plate Test Block Bypass 1-200 Ampere Main Pullout 16 Branch Circuit	Mounting	Surface Mount
UPC	784572178816	Enclosure	G90 Galvanized Steel with Powder Coat Finish
Length (IN)	6	Jaw Quantity	4 Terminal
Width (IN)	27	Bypass Type	Test Block Bypass
Height (IN)	30	Number of Meter Positions	1 Position
Brand Name	Milbank	Equipment Ground	Ground Lug
Type	Ring Type Meter Socket	Hub Opening	Twin Small Closing Plates
Application	Meter Socket With Main And Load Center	Line Side Wire Range	6 AWG - 250 kcmil
Standard	UL Listed;Type 3R	Number Of Receptacles	0
Voltage Rating	Up to 240 Volts Alternating Current		
Amperage Rating	200 Continuous Ampere		
Phase	1 Phase		
Frequency Rating	60 Hertz		
Size	6L x 27W x 30H		
Number Of Cutouts	1		
Cutout Size	One 200 Ampere Main Fuse Pull Out Switch		
Cable Entry	Overhead or Underground		
Terminal	Single Mechanical		

Please consult serving utility for their requirements prior to ordering or installing, as specifications and approvals vary by utility and may require local electrical inspector approval. All installations must be installed by a licensed electrician and must comply with all national and local codes, laws and regulations. Milbank reserves the right to make changes in specifications and features shown without notice or obligation.



FEATURE TABLE		
ITEM	QTY	DESCRIPTION
A	4	STD. MNTG. EMBOSS
B	17	1/2 SOLID K.O.
C	7	1/2, 3/4 CONC. K.O.
D	3	3/4, 1, 1 1/4, 1 1/2 CONC. K.O.
E	2	1, 1 1/4, 1 1/2, 2, 2 1/2 CONC. K.O.
F	1	2, 2 1/2, 3 CONC. K.O.



Version:

1

All dimensions are +/- 1/16".
Drawing views are not to scale.

Please consult serving utility for their requirements prior to ordering or installing, as specifications and approvals vary by utility, and may require local electrical inspector approval. All installations must be installed by a licensed electrician and must comply with all national and local codes, laws and regulations. Milbank reserves the right to make changes in specifications and features shown without notice or obligation.