

Arrow Hart weather resistant and tamper & weather resistant receptacles

Project Name:	Prepared By:
Project Number:	Date:
Catalog Number:	Type:

Description

2 pole, 3-wire grounding
15A, 125V/AC
20A, 125V/AC



WRBR15



WRS GF15



TWR270



TWR S GF20

Design features

- Provides compliance with 2017 NEC® Article 406.9 that states that all receptacles installed in wet and damp locations must be weather resistant
- Manufactured with the highest grade materials; durable impact-resistant thermoplastic face and back body is virtually unbreakable
- “TR” designation provides visual identification that device has tamper resistant shutters preventing insertion of foreign objects
- “WR” identifier quickly indicates during inspections that a weather resistant receptacle has been installed
- Terminal screws are backed out and ready to wire
- Extra-long and extra-wide mounting straps
- Patented built-in wire stripper for #14 and #12 wire to speed installation
- Side-wire terminals accept up to #10 solid or stranded wire
- Push-in terminals accept #14 solid wire (TWR270 duplex devices only)

Table 1. TWR residential grade

Catalog no.	Description	Rating		NEMA	Color suffix
		A	V/AC		
□ TWR270__	Duplex receptacle	15	125	5-15R	GY, LA, V, W

Table 2. WR & TWR specification grade GFCI

Catalog no.	Description	Rating		NEMA	Color suffix
		A	V/AC		
□ WRS GF15__	Duplex GFCI	15	125	5-15R	B, GY, V, W
□ WRS GF20__	Duplex GFCI	20	125	5-20R	B, BK, GY, V, W
□ TWR S GF15__	Duplex GFCI	15	125	5-15R	B, GY, LA, V, W
□ TWR S GF20__	Duplex GFCI	20	125	5-20R	B, GY, LA, V, W

Table 3. WR & TWR commercial grade receptacle

Catalog no.	Description	Rating		NEMA	Color suffix
		A	V/AC		
□ WRBR15__	Duplex receptacle	15	125	5-15R	B, V, W
□ WRBR20__	Duplex receptacle	20	125	5-20R	B, BK, V, W
□ TWRBR15__	Duplex receptacle	15	125	5-15R	B, GY, V, W
□ TWRBR20__	Duplex receptacle	20	125	5-20R	B, V, W

Table 4. WR & TWR commercial grade receptacle

Catalog no.	Description	Rating		NEMA	Color suffix
		A	V/AC		
□ WRS GF15F__	Duplex GFCI	15	125	5-15R	B, GY, V, W
□ WRS GF20F__	Duplex GFCI	20	125	5-20R	B, GY, V, W
□ TWR S GF15F__	Duplex GFCI	15	125	5-15R	B, GY, LA, V, W
□ TWR S GF20F__	Duplex GFCI	20	125	5-20R	B, GY, LA, V, W



Powering Business Worldwide

Project Name:	Prepared By:
Project Number:	Date:
Catalog Number:	Type:

Applications

Weather resistant receptacles are constructed of enhanced nylon and corrosion resistant metal components for use in damp and wet locations. Installing these receptacles properly in an approved weather protective cover ensures compliance with 2017 NEC Article 406.9. Tamper and weather resistant receptacles add a UL listed safety shutter system that prevents the insertion of foreign objects into receptacles to the weather resistant devices. Installing these receptacles properly in an approved weather protective cover ensures compliance with 2017 NEC Article 406.9 and 406.12. Areas of application include: residential decks, porches, patios, garages and yards; commercial convenience outlets in damp or wet areas; residential, multi-family or commercial dwelling units; residential, multi-family or commercial pool and spa areas; indoor or outdoor public facilities and recreation areas.

Table 5. Specifications

Catalog no.	TWR270 series	WRSGF series	TWRSGF series	WRBR series	TWRBR series	WRSGF series	TWRSGF series
Receptacle type	Tamper & weather resistant residential grade duplex	Weather resistant specification grade GFCI	Tamper & weather resistant specification grade GFCI	Weather resistant commercial grade duplex	Tamper & weather resistant commercial grade duplex	Weather resistant specification grade GFCI NAFTA	Tamper & weather resistant specification GFCI NAFTA
Wiring type	Push & side wire	Back & side wire	Back & side wire	Back & side wire	Back & side wire	Back & side wire	Back & side wire
Testing & code compliance	<ul style="list-style-type: none"> cULus Listed to UL498 UL certified to CSA C22.2, no. 42 NOM/ANSI certified 	<ul style="list-style-type: none"> cULus Listed to UL498 UL certified to CSA C22.2, no. 42 Meets all UL943 (GFCI) and UL498 requirements NOM/ANSI certified 	<ul style="list-style-type: none"> cULus Listed to UL498 UL certified to CSA C22.2, no. 42 Meets all UL943 (GFCI) and UL498 requirements NOM/ANSI certified 	<ul style="list-style-type: none"> cULus Listed to UL498 UL certified to CSA C22.2, no. 42 UL verified to Fed. Spec. WVC-596G NOM/ANSI certified 	<ul style="list-style-type: none"> cULus Listed to UL498 UL certified to CSA C22.2, no. 42 UL verified to Fed. Spec. WVC-596G NOM/ANSI certified 	<ul style="list-style-type: none"> cULus Listed to UL498 UL certified to CSA C22.2, no. 42 Meets all UL943 (GFCI) and UL498 requirements NOM/ANSI certified NAFTA compliant 	<ul style="list-style-type: none"> cULus Listed to UL498 UL certified to CSA C22.2, no. 42 Meets all UL943 (GFCI) and UL498 requirements NOM/ANSI certified NAFTA compliant
Environmental specifications	Flammability: Meets UL 94 requirements; V0 rated Temperature rating: -20°C to 60°C (-4°F to 140°F)	Flammability: Meets UL 94 requirements; V2 rated Temperature rating: -35°C to 66°C (-31°F to 150.8°F)	Flammability: Meets UL 94 requirements; V2 rated Temperature rating: -35°C to 66°C (-31°F to 150.8°F)	Flammability: Meets UL 94 requirements; V2 rated Temperature rating: -20°C to 70°C (-4°F to 158°F)	Flammability: Meets UL 94 requirements; V2 rated Temperature rating: -20°C to 70°C (-4°F to 158°F)	Flammability: Meets UL 94 requirements; V2 rated Temperature rating: -35°C to 66°C (-31°F to 150.8°F)	Flammability: Meets UL 94 requirements; V2 rated Temperature rating: -35°C to 66°C (-31°F to 150.8°F)
Electrical specifications	Dielectric voltage: Withstands 2000V per UL 498 Current interrupting: Yes, at full-rated current Temperature rise: Max. 30°C (86°F) after 100 cycles of overload	Dielectric voltage: Withstands 2000V per UL 498 Current interrupting: Yes, at full-rated current Temperature rise: Max. 30°C (86°F) after 100 cycles of overload	Dielectric voltage: Withstands 2000V per UL 498 Current interrupting: Yes, at full-rated current Temperature rise: Max. 30°C (86°F) after 100 cycles of overload	Dielectric voltage: Withstands 2000V per UL 498 Current interrupting: Yes, at full-rated current Temperature rise: Standard - max. 30°C (86°F) after 250 cycles of overload @ 150% of rated current (DC). Fed. Spec. - max. 30°C (86°F) after 250 cycles of overload @ 200% of rated current (DC)	Dielectric voltage: Withstands 2000V per UL 498 Current interrupting: Yes, at full-rated current Temperature rise: Standard - max. 30°C (86°F) after 250 cycles of overload @ 150% of rated current (DC). Fed. Spec. - max. 30°C (86°F) after 250 cycles of overload @ 200% of rated current (DC)	Dielectric voltage: Withstands 2000V per UL 498 Current interrupting: Yes, at full-rated current Temperature rise: Max. 30°C (86°F) after 100 cycles of overload	Dielectric voltage: Withstands 2000V per UL 498 Current interrupting: Yes, at full-rated current Temperature rise: Max. 30°C (86°F) after 100 cycles of overload
Mechanical specifications	Terminal accommodation: #14 - 10 AWG Voltage ratings: Permanently marked on device	Terminal accommodation: #14 - 10 AWG Voltage ratings: Permanently marked on device	Terminal accommodation: #14 - 10 AWG Voltage ratings: Permanently marked on device	Terminal accommodation: #14 - 10 AWG Voltage ratings: Permanently marked on device	Terminal accommodation: #14 - 10 AWG Voltage ratings: Permanently marked on device	Terminal accommodation: #14 - 10 AWG Voltage ratings: Permanently marked on device	Terminal accommodation: #14 - 10 AWG Voltage ratings: Permanently marked on device

Table 6. Materials

Catalog no.	TWR270 series	WRSGF series	TWRSGF series	WRBR series	TWRBR series
Body top	Thermoplastic, PVC	Thermoplastic, nylon 6/6	Thermoplastic, nylon 6/6	Thermoplastic, nylon 6/6	Thermoplastic, nylon
Body bottom	Thermoplastic, PVC	Thermoplastic, PVC	Thermoplastic, PVC	Thermoplastic, PVC	Thermoplastic, nylon
Strap	Nickel plated steel	Nickel plated steel	Nickel plated steel	Nickel plated steel	Nickel plated steel
Contacts	Brass alloy	Brass alloy	Brass alloy	Brass alloy	Brass alloy
Terminal screws	Brass/nickel plated stainless steel	Brass/nickel plated stainless steel	Brass/nickel plated stainless steel	Brass/nickel plated stainless steel	Brass/nickel plated stainless steel
Terminal clamps	N/A	Nickel plated steel	Nickel plated steel	Nickel plated steel	Nickel plated steel

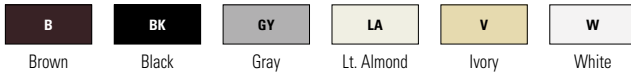
Project Name:	Prepared By:
Project Number:	Date:
Catalog Number:	Type:

Table 7. GFCI status indicator

Test indicator RED LED	Test indicator AMBER LED	Diagnosis	Action suffix
OFF	OFF	Device is functioning properly OR branch circuit may have no power	Manually depress TEST button to trip device. Amber light should come ON <ul style="list-style-type: none"> • If Amber light does <u>not</u> come ON, check if there is power to the branch • If Amber light does come ON, manually depress the RESET button to restore power to the device • If GFCI does not reset, replace GFCI • If GFCI does reset, device is functioning properly
OFF	ON	Device is in tripped state	Manually depress the RESET button to restore power to the device <ul style="list-style-type: none"> • If GFCI does not reset, replace GFCI
Blinking	OFF	Device's "end of life" indication OR device is in reset state	Manually depress TEST button to trip device. Amber light should come ON <ul style="list-style-type: none"> • If Amber light does <u>not</u> come ON, check if there is power to the branch • If Amber light does come ON, manually depress the RESET button to restore power to the device • If it does not reset, and/or the blinking continues, replace GFCI
Blinking	ON	Device's "end of life" indication OR device is in tripped state	Manually depress the RESET button to restore power to the device <ul style="list-style-type: none"> • If it does not reset, and/or the blinking continues, replace GFCI

Table 8. Color ordering information

For ordering devices, include Cat. no. followed by the color code: B (Brown), BK (Black), GY (Gray), LA (Light Almond), V (Ivory), W (White)



Product dimensions

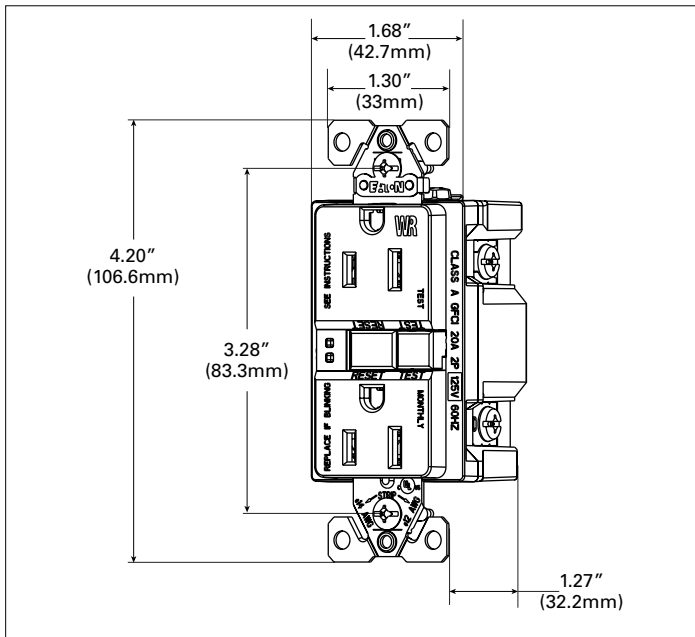


Figure 1. WRS GF15 Line art with dimensions

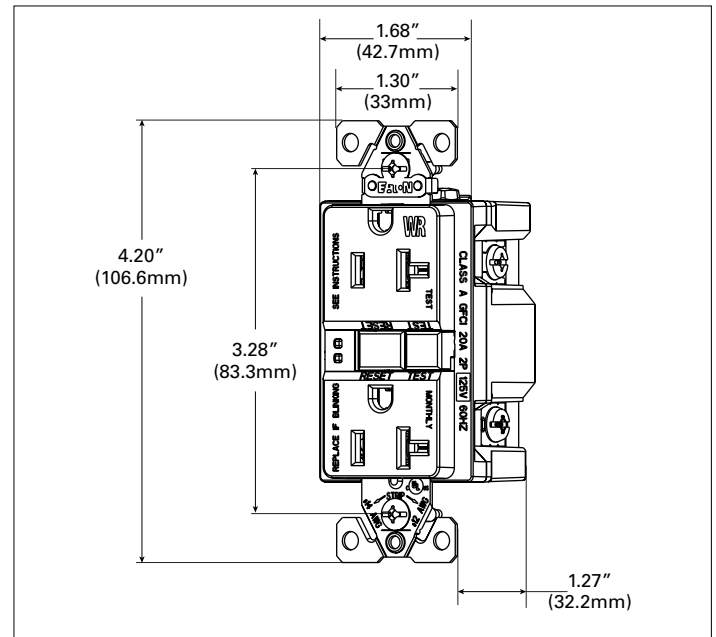


Figure 2. WRS GF20 Line art with dimensions

Project Name:	Prepared By:
Project Number:	Date:
Catalog Number:	Type:

Product dimensions

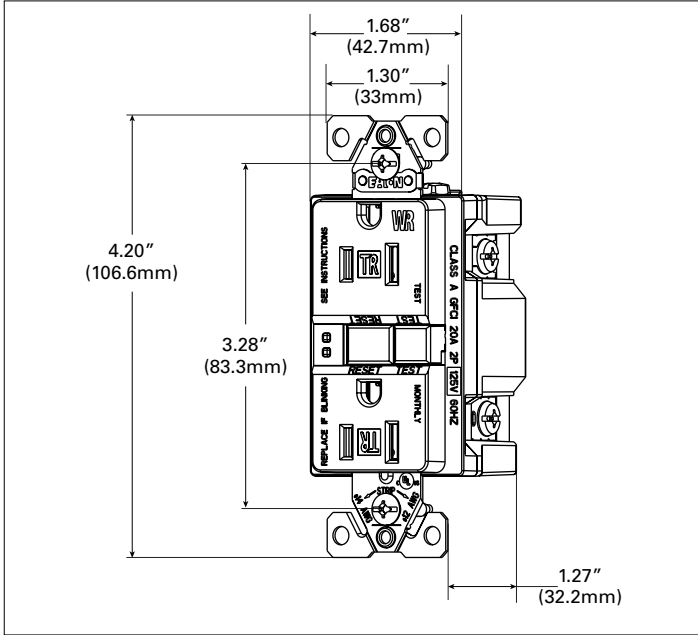


Figure 3. TWRSGF15 Line art with dimensions

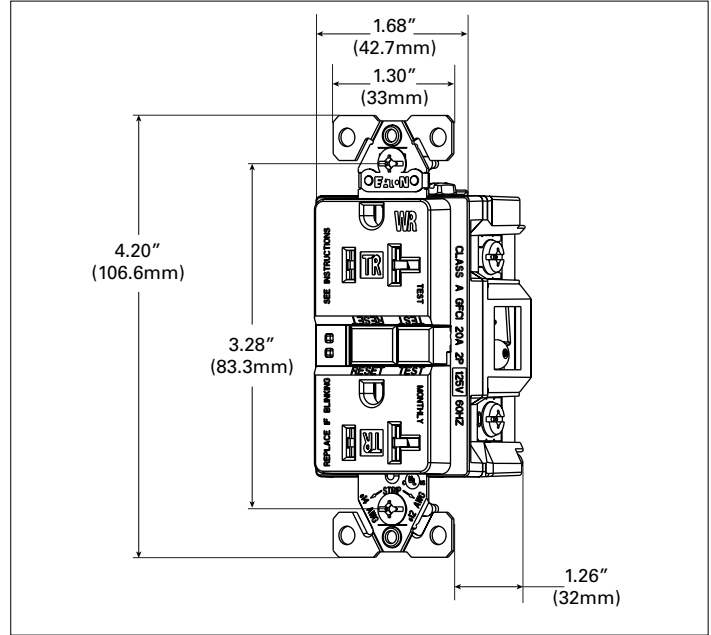


Figure 4. TWRSGF20 Line art with dimensions

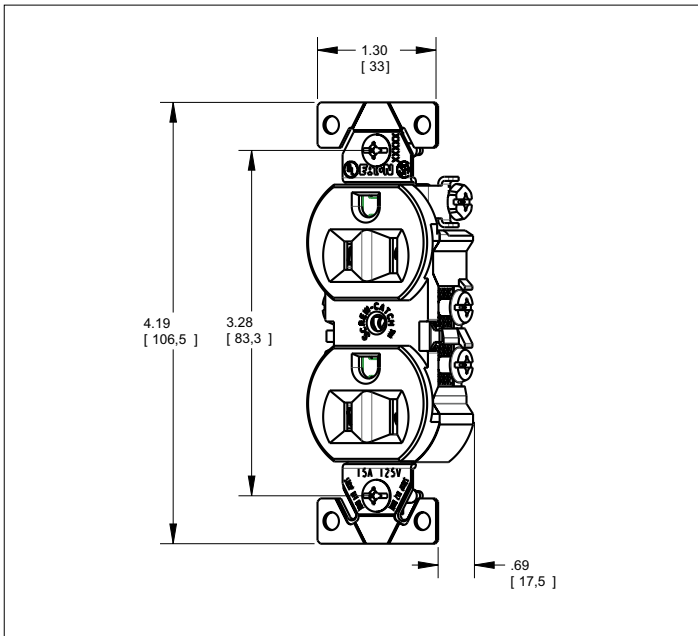
















Figure 5. TWR270 Line art with dimensions

Project Name:	Prepared By:
Project Number:	Date:
Catalog Number:	Type:

Certifications & compliances

Catalog No.	 cULus	 FUS				
TWR270	•			•	•	
WRSGF15	•		•	•	•	
WRSGF20	•			•	•	
TWRSGF15	•			•	•	•
TWRSGF20	•			•	•	•
WRBR15	•	•		•	•	•
WRBR20	•	•		•	•	•
TWRBR15	•	•	•	•	•	•
TWRBR20	•	•		•	•	•
WRSGF15F			•		•	•
WRSGF20F			•		•	•
TWRSGF15F			•		•	•
TWRSGF20F			•		•	•

KEY:  cULus  Fed Spec  NAFTA  NOM  ArrowLink  Build-To-Spec  ROHS

 Parts are manufactured and designed in accordance with article 4 of the European Union's RoHS2 directive 2011/65/EU

 Build-To-Spec Customizable Devices

Compliances, specifications and availability are subject to change without notice.

Electrical Sector
203 Cooper Circle
Peachtree City, GA 30269
United States
Eaton.com
Eaton.com/arrowhart

Electrical Sector
Canada Operations
5925 McLaughlin Road
Mississauga, Ontario, L5R 1B8
Canada
EatonCanada.ca
Eaton.com/arrowhart

Electrical Sector
Mexico Operations
Carr. Tlalhepantla -
Cuautitlán Km 178 s/n
Col. Villa Jardin esq.
Cerrada 8 de Mayo
Cuautitlán, México CP 54800
México
Eaton.mx
Eaton.com/arrowhart