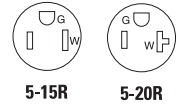


# Premium hospital grade isolated ground straight blade decorator receptacles

Project Name:	Prepared By:
Project Number:	Date:
Catalog Number:	Type:

## Description

2-Pole, 3-Wire Grounding  
 15A 125V/AC;  
 20A 125V/AC  
 NEMA 5-15, 5-20



IG8262

## Design features

- Exclusive screw terminal guards provide fast, easy insulation from conductive surfaces
- Exclusive 5-leaf, brass line contacts provide consistent performance and superior plug retention
- Rigid, glass reinforced nylon base lends ultimate strength and superior high heat resistance in contact carrier
- 0.030" (0.76mm) solid brass, non-riveted, integral one-piece isolated grounding shunt system assures ground integrity under heaviest use – isolated from common building ground
- High impact and chemical-resistant nylon face
- Tapered lead-in slots on back wiring holes assist in gathering stranded wires for faster, more secure connections
- All terminal and mounting screws triple combination (Slot/Phillips/Robertson) head for maximum installer flexibility
- Long, broad mounting strap helps reach large panel cutouts for code compliance
- Automatic grounding system eliminates need for bonding jumper in grounded metal enclosure, provides redundant measure of ground continuity where jumper used

**Table 1. Premium Hospital Grade Isolated Ground Decorator Receptacles, Back & Side Wire**

Catalog No.	Description	Amps	Volts	Color Suffix
□ IG8262__	NEMA 5-15R Premium Hospital Grade Isolated Ground Decorator Receptacle, Back & Side Wire	15	125	GY, RN, V, W
□ IG8362__	NEMA 5-20R Premium Hospital Grade Isolated Ground Decorator Receptacle, Back & Side Wire	20	125	GY, RN, V, W

**Compliances, specifications and availability are subject to change without notice.**



Powering Business Worldwide

Project Name:	Prepared By:
Project Number:	Date:
Catalog Number:	Type:

## Applications

The grounding network in any commercial building serves as a means of protection for both people and equipment. However, it can also serve as a conductor for electromagnetic interference or electronic noise. Electronic noise can distort electronic signals and ultimately cause sensitive electronic equipment to operate improperly. In a healthcare environment, the transfer of reliable, “undistorted” information is crucial. Arrow Hart’s line of premium industrial grade isolated ground receptacles utilize our exclusive 0.030” solid brass, non-riveted, integral one-piece isolated grounding shunt system to assure ground integrity under the heaviest use.

**Table 2. Specifications**

Catalog No.	IG8262, IG8362 Series
<b>Device Type</b>	<b>Premium Hospital Grade Isolated Ground Decorator Receptacles</b>
<b>Wiring Type</b>	Back & side wire
<b>Testing &amp; Code Compliance</b>	<ul style="list-style-type: none"> <li>• cULus Listed to UL 498, file no. E15058</li> <li>• UL verified to Federal Spec. WC-596G</li> <li>• cULus certified to CSA spec C22.2, no. 42</li> </ul>
<b>Environmental Specifications</b>	<b>Flammability:</b> Meets UL 94 requirements; V2 rated <b>Temperature Rating:</b> -40°C to 60°C (-40°F to 140°F)
<b>Electrical Specifications</b>	<b>Dielectric Voltage:</b> Withstands 2000V per UL 498 <b>Current Interrupting:</b> Yes, at full-rated current <b>Temperature Rise:</b> Max. 30°C (86°F) after 250 cycles of overload @ 200% of rated current (DC)
<b>Mechanical Specifications</b>	<b>Terminal Accommodation:</b> #14 - 10 AWG <b>Voltage Ratings:</b> Permanently marked on device

**Table 3. Materials**

Catalog No.	IG8262, IG8362 Series
<b>Face</b>	Nylon
<b>Base</b>	Glass-filled nylon
<b>Strap</b>	0.05" thick solid steel
<b>Auto Ground</b>	Brass clip
<b>Line Contacts</b>	0.031" thick 5-leaf 688 grade high-performance brass
<b>Ground Contact</b>	0.030" brass grounding shunt
<b>Terminal Screws</b>	#8-32 steel
<b>Ground Screw</b>	#8-32 steel (green)
<b>Screw Terminal Guards</b>	PVC

**Table 4. Color Ordering Information**

For ordering devices, include Cat. No. followed by the color code: GY (Gray), RN (Orange), V (Ivory), W (White)

GY	RN	V	W
Gray	Orange	Ivory	White

Project Name:	Prepared By:
Project Number:	Date:
Catalog Number:	Type:

### Product Dimensions

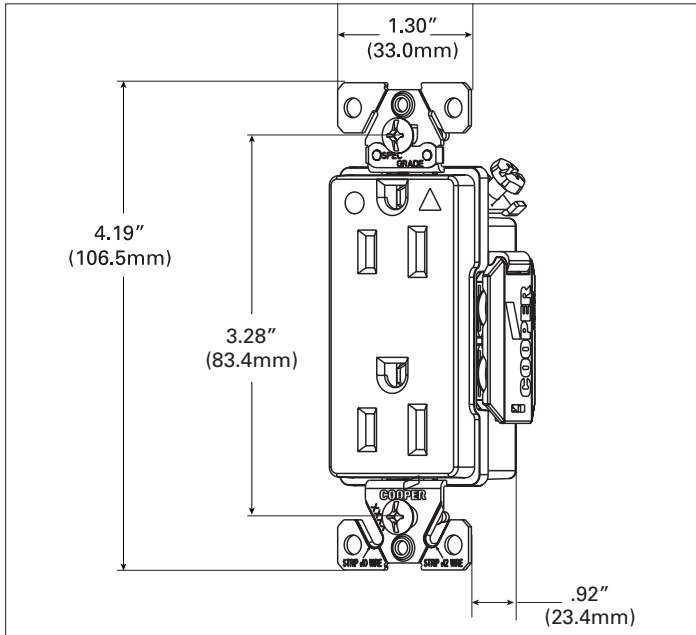


Figure 1. IG8262 Line Art with Dimensions

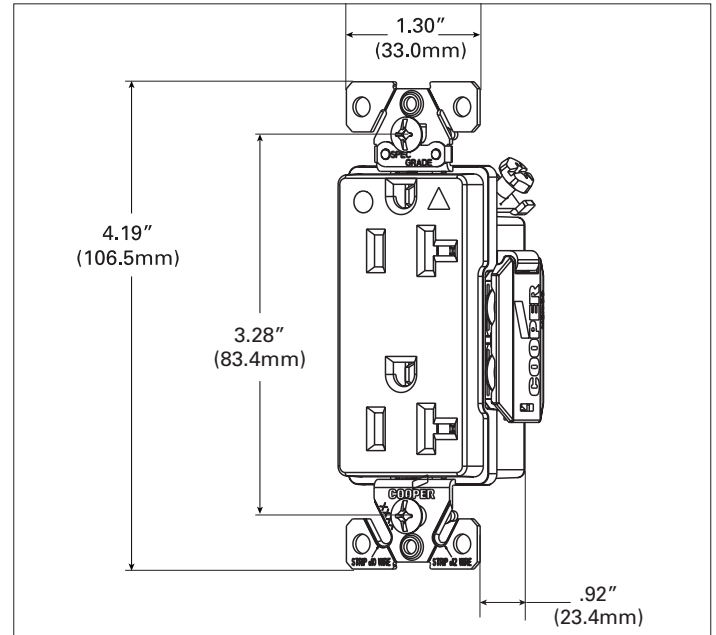


Figure 2. IG8362 Line Art with Dimensions

### Certifications & Compliances

Catalog No.	cULus	FULS	NOM 426	Arrowlink	Build-To-Spec	ROHS
IG8262	•	•	•	•	•	•
IG8362	•	•	•	•	•	•

**KEY:** cULus cULus FULS Fed Spec NOM 426 NOM Arrowlink Build-To-Spec ROHS

Parts are manufactured and designed in accordance with article 4 of the European Union's RoHS2 directive 2011/65/EU

Build-To-Spec Customizable Devices

Compliances, specifications and availability are subject to change without notice.

Electrical Sector  
203 Cooper Circle  
Peachtree City, GA 30269  
United States  
Eaton.com  
Eaton.com/arrowhart

Electrical Sector  
Canada Operations  
5925 McLaughlin Road  
Mississauga, Ontario, L5R 1B8  
Canada  
EatonCanada.ca  
Eaton.com/arrowhart

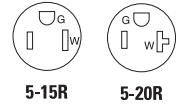
Electrical Sector  
Mexico Operations  
Carr. Tlalnepantla -  
Cuautitlán Km 178 s/n  
Col. Villa Jardín esq.  
Cerrada 8 de Mayo  
Cuautitlán, México CP 54800  
México  
Eaton.mx  
Eaton.com/wiringdevices

# Premium hospital grade isolated ground straight blade decorator receptacles

Project Name:	Prepared By:
Project Number:	Date:
Catalog Number:	Type:

## Description

2-Pole, 3-Wire Grounding  
 15A 125V/AC;  
 20A 125V/AC  
 NEMA 5-15, 5-20



IG8262

## Design features

- Exclusive screw terminal guards provide fast, easy insulation from conductive surfaces
- Exclusive 5-leaf, brass line contacts provide consistent performance and superior plug retention
- Rigid, glass reinforced nylon base lends ultimate strength and superior high heat resistance in contact carrier
- 0.030" (0.76mm) solid brass, non-riveted, integral one-piece isolated grounding shunt system assures ground integrity under heaviest use – isolated from common building ground
- High impact and chemical-resistant nylon face
- Tapered lead-in slots on back wiring holes assist in gathering stranded wires for faster, more secure connections
- All terminal and mounting screws triple combination (Slot/Phillips/Robertson) head for maximum installer flexibility
- Long, broad mounting strap helps reach large panel cutouts for code compliance
- Automatic grounding system eliminates need for bonding jumper in grounded metal enclosure, provides redundant measure of ground continuity where jumper used

**Table 1. Premium Hospital Grade Isolated Ground Decorator Receptacles, Back & Side Wire**

Catalog No.	Description	Amps	Volts	Color Suffix
□ IG8262__	NEMA 5-15R Premium Hospital Grade Isolated Ground Decorator Receptacle, Back & Side Wire	15	125	GY, RN, V, W
□ IG8362__	NEMA 5-20R Premium Hospital Grade Isolated Ground Decorator Receptacle, Back & Side Wire	20	125	GY, RN, V, W

**Compliances, specifications and availability are subject to change without notice.**



Powering Business Worldwide

Project Name:	Prepared By:
Project Number:	Date:
Catalog Number:	Type:

## Applications

The grounding network in any commercial building serves as a means of protection for both people and equipment. However, it can also serve as a conductor for electromagnetic interference or electronic noise. Electronic noise can distort electronic signals and ultimately cause sensitive electronic equipment to operate improperly. In a healthcare environment, the transfer of reliable, “undistorted” information is crucial. Arrow Hart’s line of premium industrial grade isolated ground receptacles utilize our exclusive 0.030” solid brass, non-riveted, integral one-piece isolated grounding shunt system to assure ground integrity under the heaviest use.

**Table 2. Specifications**

Catalog No.	IG8262, IG8362 Series
<b>Device Type</b>	<b>Premium Hospital Grade Isolated Ground Decorator Receptacles</b>
<b>Wiring Type</b>	Back & side wire
<b>Testing &amp; Code Compliance</b>	<ul style="list-style-type: none"> <li>• cULus Listed to UL 498, file no. E15058</li> <li>• UL verified to Federal Spec. WC-596G</li> <li>• cULus certified to CSA spec C22.2, no. 42</li> </ul>
<b>Environmental Specifications</b>	<b>Flammability:</b> Meets UL 94 requirements; V2 rated <b>Temperature Rating:</b> -40°C to 60°C (-40°F to 140°F)
<b>Electrical Specifications</b>	<b>Dielectric Voltage:</b> Withstands 2000V per UL 498 <b>Current Interrupting:</b> Yes, at full-rated current <b>Temperature Rise:</b> Max. 30°C (86°F) after 250 cycles of overload @ 200% of rated current (DC)
<b>Mechanical Specifications</b>	<b>Terminal Accommodation:</b> #14 - 10 AWG <b>Voltage Ratings:</b> Permanently marked on device

**Table 3. Materials**

Catalog No.	IG8262, IG8362 Series
<b>Face</b>	Nylon
<b>Base</b>	Glass-filled nylon
<b>Strap</b>	0.05" thick solid steel
<b>Auto Ground</b>	Brass clip
<b>Line Contacts</b>	0.031" thick 5-leaf 688 grade high-performance brass
<b>Ground Contact</b>	0.030" brass grounding shunt
<b>Terminal Screws</b>	#8-32 steel
<b>Ground Screw</b>	#8-32 steel (green)
<b>Screw Terminal Guards</b>	PVC

**Table 4. Color Ordering Information**

For ordering devices, include Cat. No. followed by the color code: GY (Gray), RN (Orange), V (Ivory), W (White)

GY	RN	V	W
Gray	Orange	Ivory	White

Project Name:	Prepared By:
Project Number:	Date:
Catalog Number:	Type:

### Product Dimensions

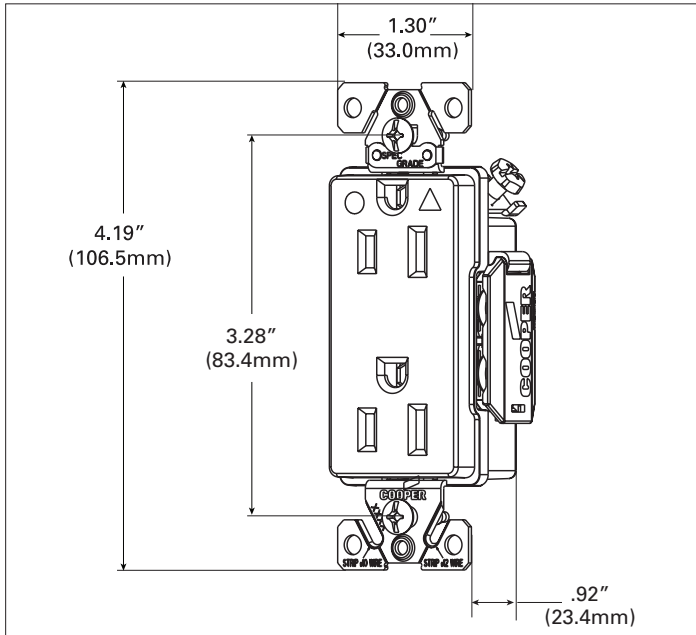


Figure 1. IG8262 Line Art with Dimensions

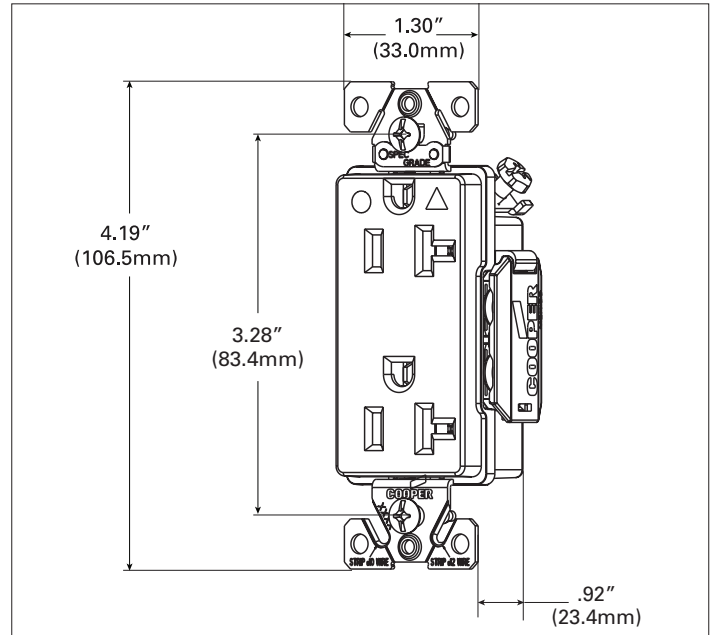


Figure 2. IG8362 Line Art with Dimensions

### Certifications & Compliances

Catalog No.	cULus	FULS	NOM 426	Arrowlink	Build-To-Spec	ROHS
IG8262	•	•	•	•	•	•
IG8362	•	•	•	•	•	•

**KEY:** cULus cULus FULS Fed Spec NOM 426 NOM Arrowlink Build-To-Spec ROHS

Parts are manufactured and designed in accordance with article 4 of the European Union's RoHS2 directive 2011/65/EU

Build-To-Spec Customizable Devices

Compliances, specifications and availability are subject to change without notice.

Electrical Sector  
203 Cooper Circle  
Peachtree City, GA 30269  
United States  
Eaton.com  
Eaton.com/arrowhart

Electrical Sector  
Canada Operations  
5925 McLaughlin Road  
Mississauga, Ontario, L5R 1B8  
Canada  
EatonCanada.ca  
Eaton.com/arrowhart

Electrical Sector  
Mexico Operations  
Carr. Tlalnepantla -  
Cuautitlán Km 178 s/n  
Col. Villa Jardín esq.  
Cerrada 8 de Mayo  
Cuautitlán, México CP 54800  
México  
Eaton.mx  
Eaton.com/wiringdevices