

# TMC3 Terminator

Cable gland for industrial, harsh & hazardous areas

ENGINEERED FOR



EXTREME CONDITIONS

## Primary applications

Ideal for terminating armored MC or TECK armored cable and non-armored tray cable in

- Harsh, corrosive or heavy industrial areas
- Hazardous areas such as, drilling rigs, refineries, petrochemical, grain and mining applications

## Features

- Multiple thread size options per sealing range eliminates need for adapters or reducers
- ½" to ¾" NPT sizes in small and medium cable ranges (*larger sizes up to 2" coming soon*)
- Standard gasket and locknut ease installation and improve ingress protection (*IP66 and NEMA 4X*)
- Meets same bonding requirements as Myers™ hubs when installed in thin wall enclosures
- Extreme temperature range: -60°C to +109°C
- Corrosion resistant material options: copper-free aluminum, nickel-plated brass or 316 stainless steel
- Cold Shrink™ kits available for extra protection in extreme environments
- Eaton blue, anodized industrial grade nut (*aluminum version only*)
- Certification markings oriented for easy inspection when installed in the bottom of enclosures

## Cable types\*

### NEC certified for use with cable types:

- MC, MC-HL, TECK, TC, TC-ER, TC-ER-HL, ITC, ITC-ER, ITC-HL, PLTC and PLTC-ER

### CEC certified for use with cable types:

- TECK, ACIC, TC

\*Type TC-ER-HL cable is rated for 600 V nominal. Overall cable diameters are 25mm (1 inch) or less

## Materials

- Body, gland nut and lock nut – copper-free aluminum, nickel-plated brass or 316 stainless steel options
- Bushing and gasket – silicone
- Spring – copper alloy

## Fast & easy installation

- 2-piece construction with lock nut and gasket for faster installation
- Increased size of wrenching surfaces on body and nut



## Designed for versatility

- Dual certified for armored (MC/TECK) and non-armored (tray) cables
- Available in copper-free aluminum, nickel-plated brass or 316 stainless steel

## Certifications & compliances

### NEC and CEC:

- cULus to UL514B, UL2225, CSA C22.2 No. 18.3, CSA C22.2 No. 60079-0, -7, -31
- ATEX/IECEx to EN/IEC 60079-0, -7, -31
- Listed for wet locations
- IP66, NEMA 4X
- May be permitted for use in Class I, Division 2 locations, provided there are no arcing and sparking risks in accordance with NEC501.10B
- Listed for Class II, Division 1, Groups E, F, G and Class III



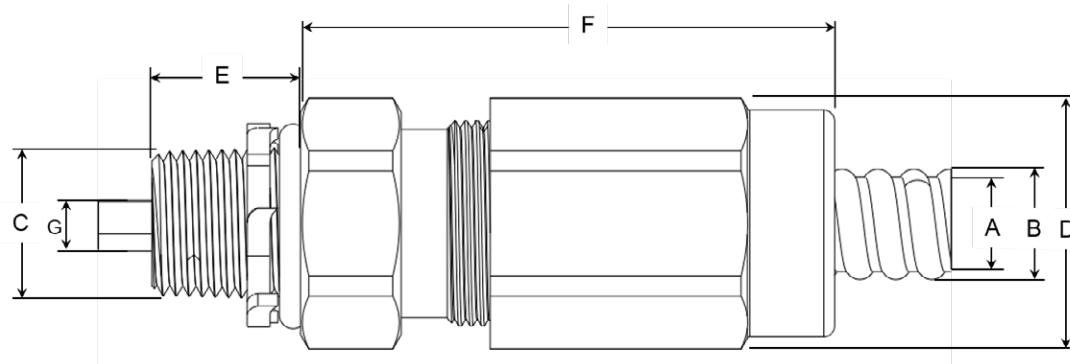
### ATEX and IECEx and other global certifications:

- IECEx UL 19.0079X, DEMKO 19 ATEX 2260X, Ex eb IIC Ex tb IIIc



Powering Business Worldwide

# Ordering information



All dimensions in inches

Entry thread NPT (C)	**Part #	Over conductors O.D max (G)*		Armored MC & MC-HL cables				Armored TECK90 cables				Un-armored TC & TC-ER-HL		Across corners (D)	Thread length (E)	Length (F)
		w/ armor stop	w/o armor stop	Armor O.D. (A)		Cable OD (B)		Armor O.D. (A)		Cable O.D. (B)*		Cable O.D. (B)*				
		Min.	Max.	Min.	Max.	Min.	Max.	Min.	Max.	Min.	Max.	Min.	Max.			
1/2"	<b>TMC3-050-0</b>	0.350	0.560	0.452	0.660	0.550	0.780	0.512	0.670	0.610	0.780	0.500	0.660	1.38	0.75	2.55
1/2"	<b>TMC3-050-1</b>	0.350	0.560	0.579	0.872	0.670	1.000	0.581	0.880	0.670	1.000	0.640	0.860	1.63	0.75	2.60
3/4"	<b>TMC3-075-0</b>	0.510	0.796	0.452	0.660	0.550	0.780	0.512	0.670	0.610	0.780	0.500	0.660	1.38	0.78	2.55
3/4"	<b>TMC3-075-1</b>	0.510	0.796	0.579	0.872	0.660	1.000	0.581	0.880	0.670	1.000	0.640	0.860	1.63	0.78	2.60

\*When making your cable gland selection based on cable O.D., be sure to also observe the over conductors O.D. dimension and the armor O.D.

\*\*Part numbers shown above are for aluminum, for stainless steel add "-SS" suffix, for nickel-plated brass add "-NP" suffix

## Accessories

### Myers grounding locknuts

Part number	
<b>STAGN 1</b>	1/2" aluminum Myers grounding locknut
<b>STAGN 2</b>	3/4" aluminum Myers grounding locknut
<b>SSTGN 1</b>	1/2" stainless steel Myers grounding locknut
<b>SSTGN 2</b>	3/4" stainless steel Myers grounding locknut



### TMC Cold Shrink kits

Part number	TMC3 O.D.	Tubing length	TMC
<b>TMC K1</b>	1.38	6.0	TMC050 0 TMC050 1 TMC075 0 TMC075 1
<b>TMC K2</b>	1.63	6.0	



All dimensions in inches.

# TMC3 Terminator

Cable gland for industrial, harsh & hazardous areas

ENGINEERED FOR



EXTREME CONDITIONS

## Primary applications

Ideal for terminating armored MC or TECK armored cable and non-armored tray cable in

- Harsh, corrosive or heavy industrial areas
- Hazardous areas such as, drilling rigs, refineries, petrochemical, grain and mining applications

## Features

- Multiple thread size options per sealing range eliminates need for adapters or reducers
- ½" to ¾" NPT sizes in small and medium cable ranges (*larger sizes up to 2" coming soon*)
- Standard gasket and locknut ease installation and improve ingress protection (*IP66 and NEMA 4X*)
- Meets same bonding requirements as Myers™ hubs when installed in thin wall enclosures
- Extreme temperature range: -60°C to +109°C
- Corrosion resistant material options: copper-free aluminum, nickel-plated brass or 316 stainless steel
- Cold Shrink™ kits available for extra protection in extreme environments
- Eaton blue, anodized industrial grade nut (*aluminum version only*)
- Certification markings oriented for easy inspection when installed in the bottom of enclosures

## Cable types\*

### NEC certified for use with cable types:

- MC, MC-HL, TECK, TC, TC-ER, TC-ER-HL, ITC, ITC-ER, ITC-HL, PLTC and PLTC-ER

### CEC certified for use with cable types:

- TECK, ACIC, TC

\*Type TC-ER-HL cable is rated for 600 V nominal. Overall cable diameters are 25mm (1 inch) or less

## Materials

- Body, gland nut and lock nut – copper-free aluminum, nickel-plated brass or 316 stainless steel options
- Bushing and gasket – silicone
- Spring – copper alloy

## Fast & easy installation

- 2-piece construction with lock nut and gasket for faster installation
- Increased size of wrenching surfaces on body and nut



## Designed for versatility

- Dual certified for armored (MC/TECK) and non-armored (tray) cables
- Available in copper-free aluminum, nickel-plated brass or 316 stainless steel

## Certifications & compliances

### NEC and CEC:

- cULus to UL514B, UL2225, CSA C22.2 No. 18.3, CSA C22.2 No. 60079-0, -7, -31
- ATEX/IECEx to EN/IEC 60079-0, -7, -31
- Listed for wet locations
- IP66, NEMA 4X
- May be permitted for use in Class I, Division 2 locations, provided there are no arcing and sparking risks in accordance with NEC501.10B
- Listed for Class II, Division 1, Groups E, F, G and Class III



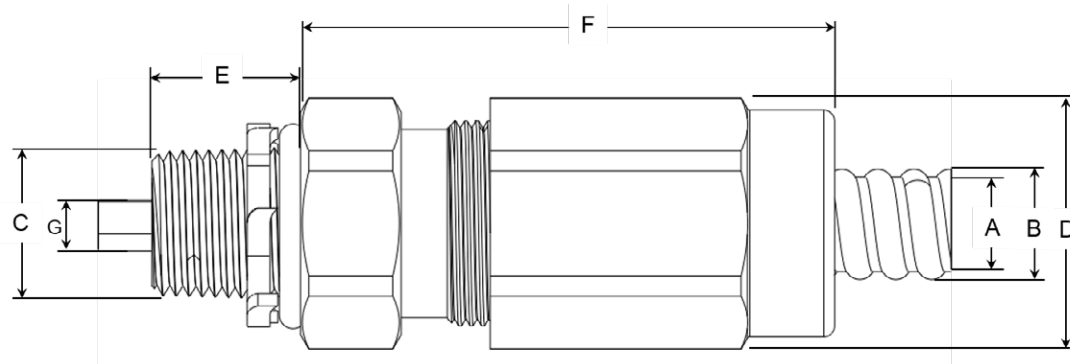
### ATEX and IECEx and other global certifications:

- IECEx UL 19.0079X, DEMKO 19 ATEX 2260X, Ex eb IIC Ex tb IIIc



Powering Business Worldwide

# Ordering information



All dimensions in inches

Entry thread NPT (C)	**Part #	Over conductors O.D max (G)*		Armored MC & MC-HL cables				Armored TECK90 cables				Un-armored TC & TC-ER-HL		Across corners (D)	Thread length (E)	Length (F)
		w/ armor stop	w/o armor stop	Armor O.D. (A)		Cable OD (B)		Armor O.D. (A)		Cable O.D. (B)*		Cable O.D. (B)*				
		Min.	Max.	Min.	Max.	Min.	Max.	Min.	Max.	Min.	Max.	Min.	Max.			
1/2"	<b>TMC3-050-0</b>	0.350	0.560	0.452	0.660	0.550	0.780	0.512	0.670	0.610	0.780	0.500	0.660	1.38	0.75	2.55
1/2"	<b>TMC3-050-1</b>	0.350	0.560	0.579	0.872	0.670	1.000	0.581	0.880	0.670	1.000	0.640	0.860	1.63	0.75	2.60
3/4"	<b>TMC3-075-0</b>	0.510	0.796	0.452	0.660	0.550	0.780	0.512	0.670	0.610	0.780	0.500	0.660	1.38	0.78	2.55
3/4"	<b>TMC3-075-1</b>	0.510	0.796	0.579	0.872	0.660	1.000	0.581	0.880	0.670	1.000	0.640	0.860	1.63	0.78	2.60

\*When making your cable gland selection based on cable O.D., be sure to also observe the over conductors O.D. dimension and the armor O.D.

\*\*Part numbers shown above are for aluminum, for stainless steel add "-SS" suffix, for nickel-plated brass add "-NP" suffix

## Accessories

### Myers grounding locknuts

Part number	
<b>STAGN 1</b>	1/2" aluminum Myers grounding locknut
<b>STAGN 2</b>	3/4" aluminum Myers grounding locknut
<b>SSTGN 1</b>	1/2" stainless steel Myers grounding locknut
<b>SSTGN 2</b>	3/4" stainless steel Myers grounding locknut



### TMC Cold Shrink kits

Part number	TMC3 O.D.	Tubing length	TMC
<b>TMC K1</b>	1.38	6.0	TMC050 0 TMC050 1 TMC075 0 TMC075 1
<b>TMC K2</b>	1.63	6.0	



All dimensions in inches.