

455C873  
ON NO. 133ND NO. 1ND1

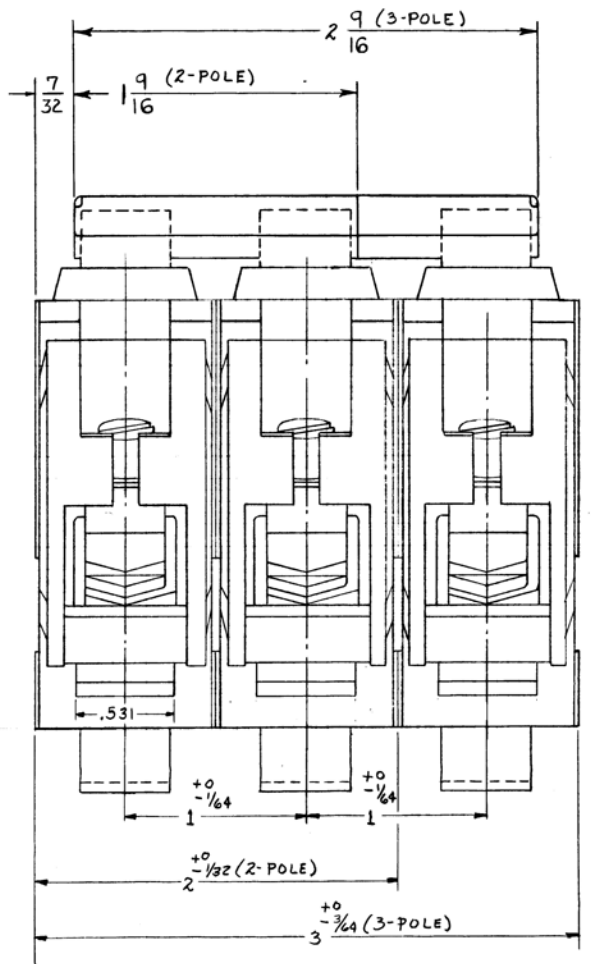
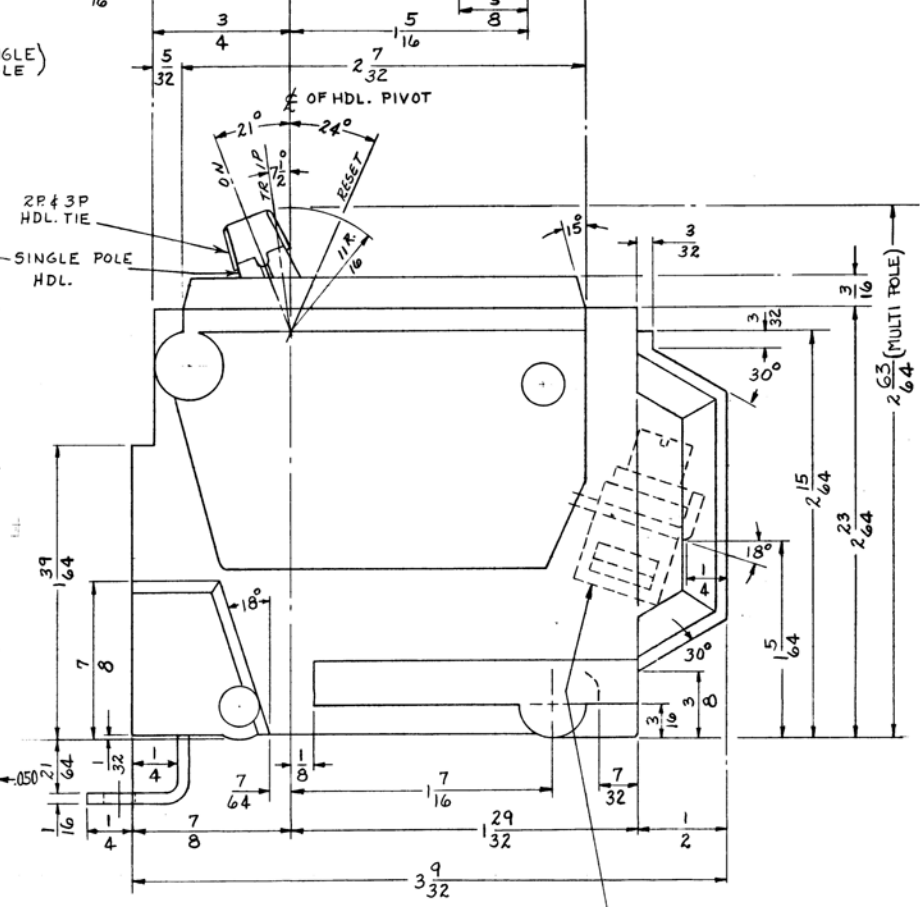
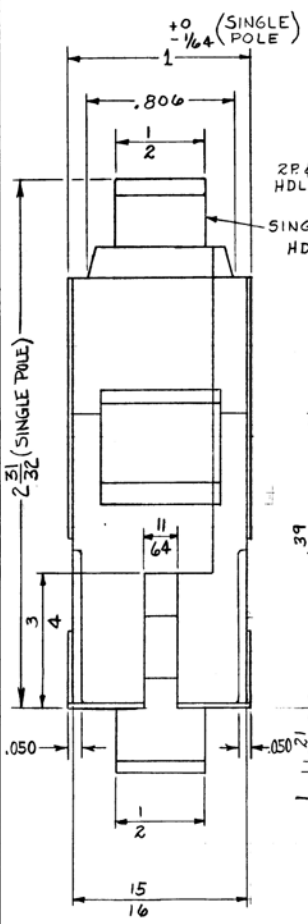
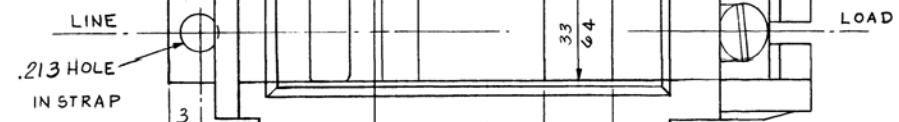
GENERAL ELECTRIC 455C873  
CONT. ON SHEET 2 SH. NO. 1

UNLESS OTHERWISE SPECIFIED USE THE FOLLOWING—

| APPLIED PRACTICES | TOLERANCES ON MACHINED DIMENSIONS |                    |            |
|-------------------|-----------------------------------|--------------------|------------|
|                   | SURFACES                          | FRACTIONS          | DECIMALS   |
|                   | ✓                                 | $\pm \frac{1}{64}$ | $\pm .005$ |
|                   |                                   |                    | ANGLES     |

TITLE **OUTLINE**  
**TQB CIRCUIT BREAKER**  
FIRST MADE FOR TQB1115

A  
B  
C  
D  
E



LUG WIRE SIZE  
 70A. TO 100A. # 6 CU. # 4 AL. TO 1/2 CU-AL.  
 15A. TO 60A. # 14 CU. # 12 AL. TO # 3 CU. # 2 AL.

5

REV NO.  
 1

455C873  
ON NO. 133ND NO. 1ND1

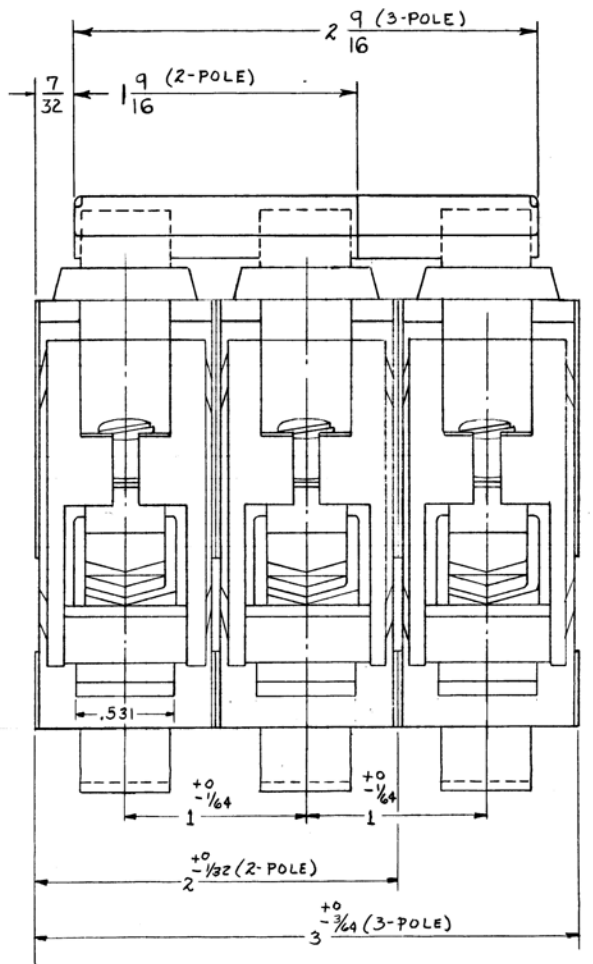
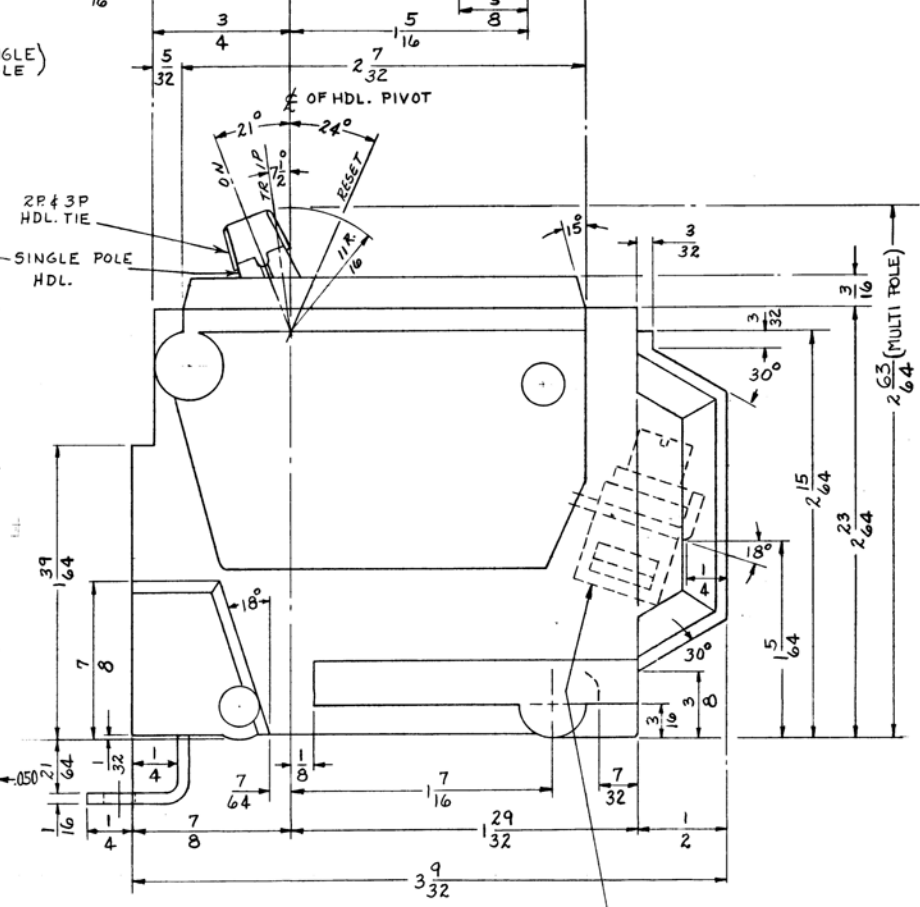
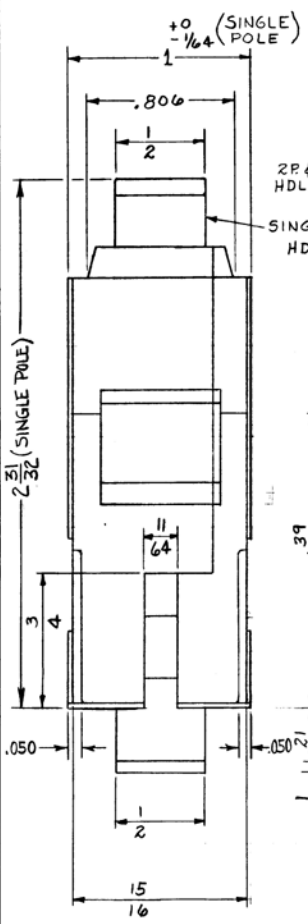
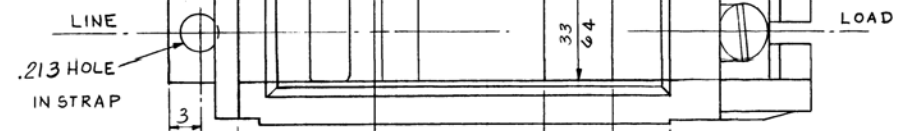
GENERAL ELECTRIC 455C873  
CONT. ON SHEET 2 SH. NO. 1

UNLESS OTHERWISE SPECIFIED USE THE FOLLOWING—

| APPLIED PRACTICES | SURFACES | TOLERANCES ON MACHINED DIMENSIONS |          |        |
|-------------------|----------|-----------------------------------|----------|--------|
|                   |          | FRACTIONS                         | DECIMALS | ANGLES |
|                   | ✓        | + 1/64                            | ± .005   | ±      |

TITLE **OUTLINE**  
**TQB CIRCUIT BREAKER**  
 FIRST MADE FOR TQB1115

A  
B  
C  
D  
E



LUG WIRE SIZE  
 70A. TO 100A. # 6 CU. # 4 AL. TO 1/2 CU-AL.  
 15A. TO 60A. # 14 CU. # 12 AL. TO # 3 CU. # 2 AL.

5

REV NO.  
 1