

F7 F8 M9 Conduit Bodies

Catalog Number: PRHT28
UPC: 784011204106

Description

3/4 Inch Form 8 T Conduit Body

PVC coated Form 8 conduit bodies with covers are offered in numerous configurations to provide a complete coated conduit system. Electrical continuity of the conduit system is maintained across assembled joints.

Application

- Offered in numerous configurations for 90 degree bends, taps or splices or mounting outlets
- Offered in numerous configurations for 90 degree bends, taps or splices or mounting outlets

Features

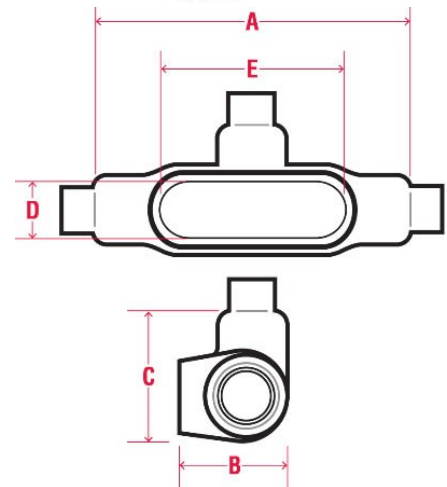
- 40 mil gray PVC exterior coating
- 2 mil red urethane interior coating
- 10 trade sizes from 1/2" through 4"
- Sealing sleeves on all conduit openings
- Plastic encapsulated stainless steel screws with retainers built into covers for trade sizes 1/2" through 2"
- V-Seal gasket on sizes 1/2" through 2"

General

Material:	FERROUS METAL
Exterior Finish:	A nominal .040 inch (40 mil) gray PVC coating
Interior Finish:	A nominal .002 inch (2 mil) red urethane
Body Style:	T
Screw Type: screws with retainers	Plastic encapsulated stainless steel cover
Cover Seal:	V-Seal gasket

Dimensions

Dimension A (Inches)	6.28
Dimension B (Inches)	2.04
Dimension C (Inches)	2.35
Dimension D (Inches)	1.19
Dimension E (Inches)	3.94
Nominal Weight (Pounds)	2.5





F7 F8 M9 Conduit Bodies

Catalog Number: PRHT28

UPC: 784011204106

Technical / Specification Documents

Specification Guide (1995 Master) *AVAILABLE ON WEBSITE*

Specification Guide (2004 Master) *AVAILABLE ON WEBSITE*

Installer Certification and Tools *AVAILABLE ON WEBSITE*

Chemical Resistance Charts *AVAILABLE ON WEBSITE*

Performance Specifications *AVAILABLE ON WEBSITE*

Standards

UL 514A, 514D: E231035

CSA Certified: C22.2 No.18

CSA Certified: C22.2 No. 42

Notes

All cover screws are stainless steel



F7 F8 M9 Conduit Bodies

Catalog Number: PRHT28
UPC: 784011204106

Description

3/4 Inch Form 8 T Conduit Body

PVC coated Form 8 conduit bodies with covers are offered in numerous configurations to provide a complete coated conduit system. Electrical continuity of the conduit system is maintained across assembled joints.

Application

- Offered in numerous configurations for 90 degree bends, taps or splices or mounting outlets
- Offered in numerous configurations for 90 degree bends, taps or splices or mounting outlets

Features

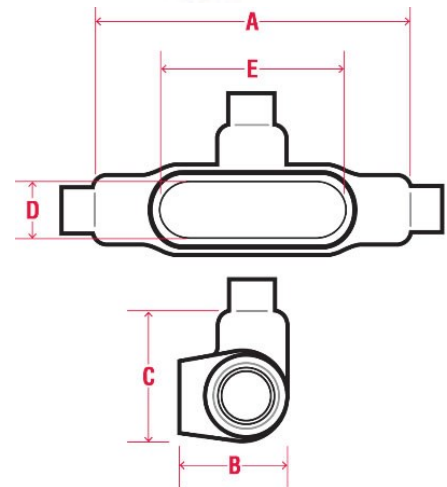
- 40 mil gray PVC exterior coating
- 2 mil red urethane interior coating
- 10 trade sizes from 1/2" through 4"
- Sealing sleeves on all conduit openings
- Plastic encapsulated stainless steel screws with retainers built into covers for trade sizes 1/2" through 2"
- V-Seal gasket on sizes 1/2" through 2"

General

Material:	FERROUS METAL
Exterior Finish:	A nominal .040 inch (40 mil) gray PVC coating
Interior Finish:	A nominal .002 inch (2 mil) red urethane
Body Style:	T
Screw Type: screws with retainers	Plastic encapsulated stainless steel cover
Cover Seal:	V-Seal gasket

Dimensions

Dimension A (Inches)	6.28
Dimension B (Inches)	2.04
Dimension C (Inches)	2.35
Dimension D (Inches)	1.19
Dimension E (Inches)	3.94
Nominal Weight (Pounds)	2.5





F7 F8 M9 Conduit Bodies

Catalog Number: PRHT28

UPC: 784011204106

Technical / Specification Documents

Specification Guide (1995 Master) *AVAILABLE ON WEBSITE*

Specification Guide (2004 Master) *AVAILABLE ON WEBSITE*

Installer Certification and Tools *AVAILABLE ON WEBSITE*

Chemical Resistance Charts *AVAILABLE ON WEBSITE*

Performance Specifications *AVAILABLE ON WEBSITE*

Standards

UL 514A, 514D: E231035

CSA Certified: C22.2 No.18

CSA Certified: C22.2 No. 42

Notes

All cover screws are stainless steel

