



Uncompromising safety and comfort
Miniature Circuit Breaker SU 200 M for
branch circuit protection per UL and CSA

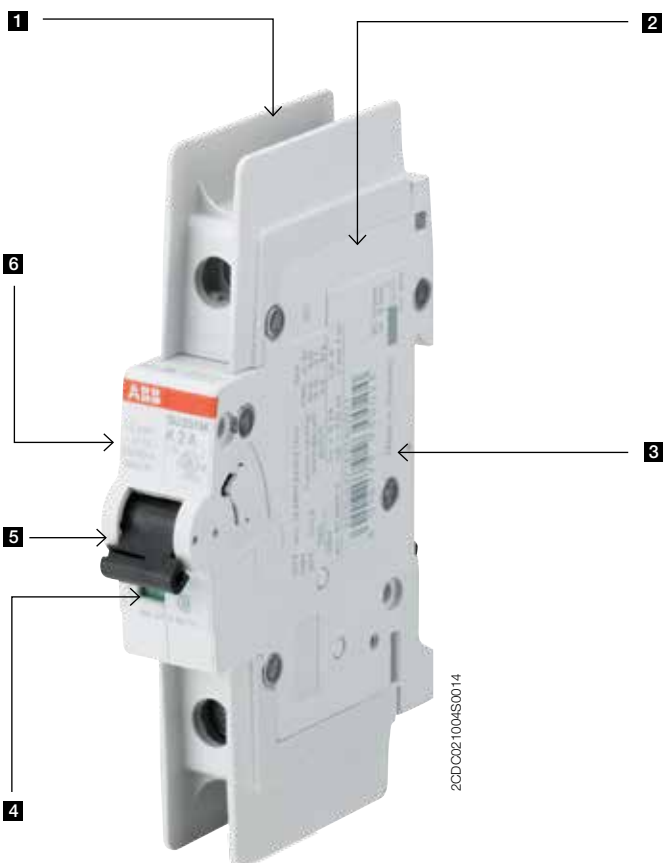
Miniature Circuit Breaker SU 200 M

The next generation MCB for UL/CSA applications within the proven System pro M compact range

The SU 200 M miniature circuit breaker is ABB's solution for UL489 protection in branch circuits for voltages up to 480Y/277VAC, and 96VDC.

This circuit breaker is an all-around device for universal use in AC and DC applications in North American and global markets with approvals according to UL, CSA, and IEC.

Furthermore, the SU 200 M MCB is fully compatible with existing UL489 System pro M compact accessories.



A range designed to ensure efficiency and protection

For more than 120 years, based on the mindset of Hugo Stotz, ABB MCBs have an innovative history. Today, we offer MCB solutions for numerous applications to meet the needs of the most demanding customer.

Performance in action

The SU 200 M offers outstanding electrical and mechanical performance:

- Rated breaking capacity 10 kA acc. UL489 / CSA 22.2 No. 5 and 15kA acc. IEC / EN 60947-2
- Certified up to $I_n = 40$ A at 480 Y / 277 V AC acc. to UL 489 / CSA 22.2 No.5
- 40°C reference temperature acc. to UL and CSA
- Clear contact position indication in red / green ("real CPI")

AC and DC at your command

Inventory planning and project engineering has now been simplified with the SU 200 M. Having both AC and DC ratings allows a reduction in both inventory and product types for your project.

Easy identification

Identification of the product can be found directly in the product part numbering system on the face of the device. Points such as number of poles, trip curve, and amperage can all be found in the device designation. This allows quick and intuitive identification of the circuit breaker.

- 1** New, patented twin terminals with captive screws: highest comfort, safety and flexibility
- 2** New, patented housing design: environmentally friendly and designed for maximum performance
- 3** Laser printing: scratch and solvent resistant marking
- 4** Real contact position indication, directly connected to the moving contact for greater safety and contact state identification
- 5** Immediate system availability after fault by simply switching on the MCB, even by unskilled personnel
- 6** Easy product coding – easy identification: basic technical information already integrated in the name. Further information as well as a barcode for easy identification laser-printed on the dome or on the side of the MCB

Miniature Circuit Breaker SU 200 M

The details make the difference



Contact position indication

All System pro M compact® MCBs are equipped with real contact position indication (CPI). This allows for quick identification of the MCBs state, ON or OFF, if maintenance is required. Working together, both the position of the toggle and the color of the CPI, clear indication of the MCBs contact position provides additional security and safety. If an event has occurred, the device always provides reliable information on its state.



Approvals printed on the dome

SU 200 M MCBs comply with UL489/CSA 22.2 No. 5 and carry approvals for other relevant markets or segments that they may be used in. For ease of identification, certification markings are printed on the dome and side of the MCB.



PATENTED – Housing Design

The SU 200 M range utilizes the latest halogen free thermoplastic, making it possible to recycle the whole MCB and reducing environmental pollution.



Logout-Tagout device

Since safety is always at the forefront, the new S 200-LOTO devices can be added for use in a Lockout-Tagout program. The S 200-LOTO device is available in single and multi-pole versions



UL Vario busbar

With the new SU 200 M circuit breaker comes the new UL Vario busbar. The Vario busbar can be cut to length based on the number of UL489 branch circuit breakers in your design.



PATENTED – IP 20 finger safe terminals

IP 20 terminals are standard on the SU 200 M System pro M compact® line. Equipped with cylinder lift twin terminals that accept 35 mm² and 10 mm² wires or busbars, multiple wiring solutions can be achieved.

Miniature Circuit Breaker SU 200 M

Accessory Overview

The System pro M compact SU 200 M is the first truly complete compact and modular circuit breaker for both North American and global markets. This proven system offers all of the essential accessories; shunt trips, and auxiliary, and signal contacts. In development of the SU 200 M range, the ability to use existing accessories was a key design requirement. Current accessories can be used with both current MCBs and the new SU 200 M MCB.

Auxiliary contact S2C-H6RU 1

The switching position of the auxiliary contact is dependent upon the toggle position of the MCB (On/Off). Being coupled to the switching mechanism, the auxiliary contact is used to indicate the state of the MCB.

Signal contact S2C-S6RU 2

In the event of an overload or short circuit, the signal contact will indicate that the MCB has tripped. When the MCB is operated manually, the signal contact will not provide an indication, as the signal contact is coupled to the trip mechanism of the MCB. The signal contact also allows for resetting of the signal contact independently of the MCB.

Shunt Trip 3

When applying a voltage to the solenoid, this accessory allows remote opening of the device. Two different models are available for both AC and DC control voltages.

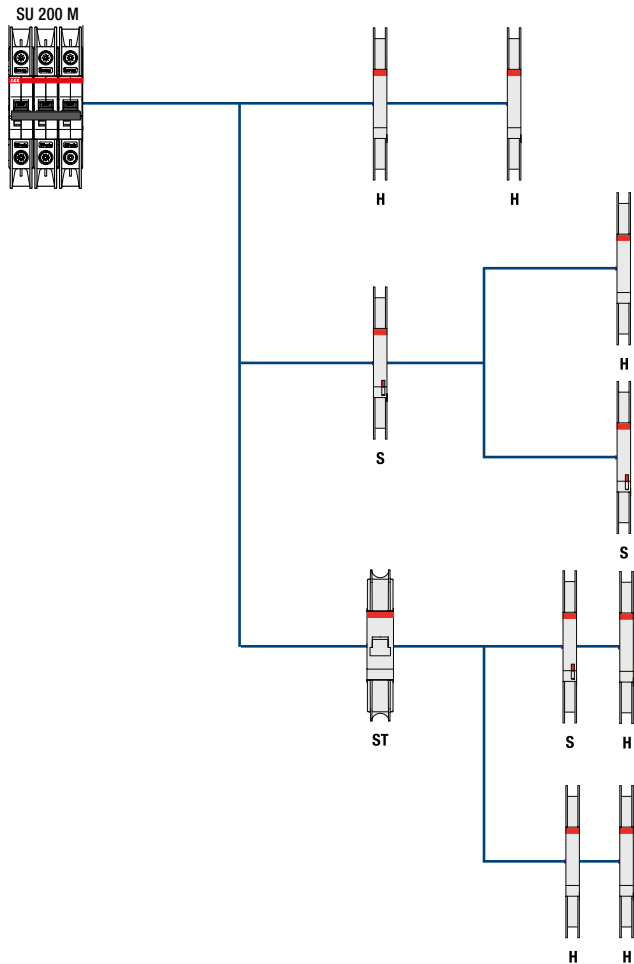
Busbar Systems 4

Busbars are available for the SU 200 M MCB range. Utilizing the patented twin-terminal design, busbars can be connected even after the device has been installed.



Miniature Circuit Breaker SU 200 M

Accessory Overview



H	Auxiliary contact (change-over contact)	S2C-H6RU
S/H	Signal contact	S2C-S6RU
ST	Shunt trip	S2C-A...

For UL/CSA applications, only one side mount accessory per MCB is allowed.

The number of electrical operations is limited to 4000 operations for the maximum combinations and the combinations including shunt trips.

2CDC092011F0014



Contact

ABB STOTZ-KONTAKT GmbH

Eppelheimer Straße 82
69123 Heidelberg, Germany
Phone: +49 (0) 6221 7 01-0
Fax: +49 (0) 6221 7 01-13 25
E-Mail: info.desto@de.abb.com

ABB Inc.

8155 T & B BLVD
Memphis, TN 38125
United States of America
Phone: 901-252-5000

ABB Inc.

Low Voltage Products
2117 – 32nd Avenue
Lachine, QC, CANADA H8T 3J1
Phone: 514-420-3100
Fax: 514-420-3137
Toll Free: 1-800-567-0283

You can find the address of your
local sales organization on the
ABB home page
<http://www.abb.com/contacts>
-> Low Voltage Products and Systems

Note:

We reserve the right to make technical changes or modify the contents of this document without prior notice. With regard to purchase orders, the agreed particulars shall prevail. ABB AG does not accept any responsibility whatsoever for potential errors or possible lack of information in this document.

We reserve all rights in this document and in the subject matter and illustrations contained therein. Any reproduction, disclosure to third parties or utilization of its contents - in whole or in parts - is forbidden without prior written consent of ABB AG.

Copyright© 2015 ABB
All rights reserved