

DESCRIPTION

The Sure-Lites Emergency Light (SEL) series is designed to reduce egress system cost and maintenance as well as improve reliability. Key features include long life LED's, proprietary adjustable accuLED optics, and a nickel cadmium battery. The Patented easy hang feature reduces installation time and cost.

Catalog #		Type
Project		
Comments		Date
Prepared by		

SPECIFICATION FEATURES

ELECTRICAL

- Dual Voltage Input
120/277 VAC, 60Hz
- 240 VAC capable with 48 hour recharge time
- Brownout circuit
- Low voltage disconnect
- Overload / Short Circuit protection
- 3.6V Battery back-up

HOUSING CONSTRUCTION

- Components injection molded, color stable, high impact polycarbonate
- EZ Hang feature facilitates fast installation
- Suitable for ceiling or wall mount applications
- Universal J-box mounting pattern
- Keyhole mounting slots
- Aesthetically designed with thin profile

BATTERY

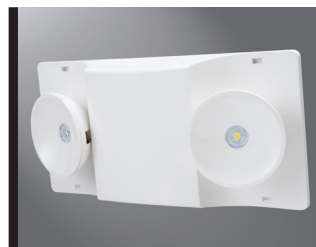
- Sealed Nickel Cadmium
- Full Recharge Time, 24 hours (max.)
- 10°C to 40°C (50°F to 104°F)

WARRANTY

- Five-year warranty

CODE COMPLIANCE

- UL924 Listed
- Damp Location
- Life Safety NFPA 101
- NEC/OSHA
- Most State & Local Codes
- California Energy Code



SEL17

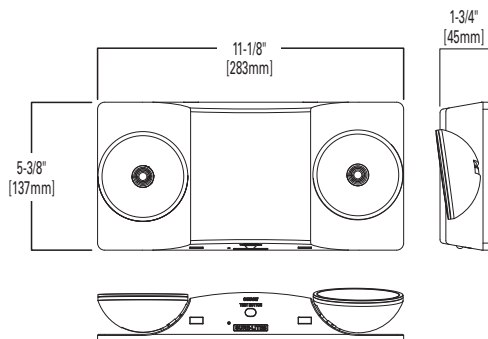
SEL Emergency Light

LED Emergency Light AccuLED Optic SEL

HOW TO SPECIFY

Sure-lites LED emergency light with nickel cadmium battery and AccuLED optics.

DIMENSIONS



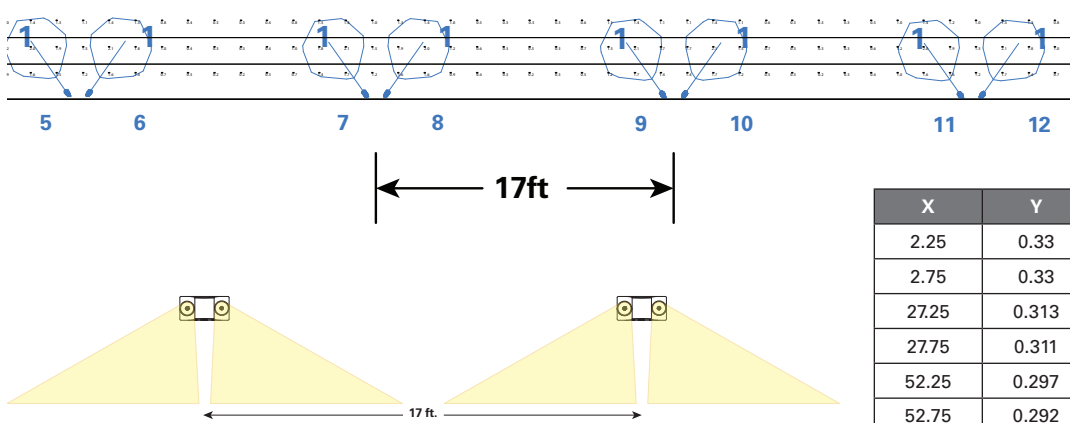
ORDERING INFORMATION

SAMPLE NUMBER: SEL17

Series	Coverage	Battery	Color
SEL= LED Emergency Light	17=17 feet	__=NiCad	__=White BK=Black

PHOTOMETRY

SEL17



X	Y	Z	Orient	Tilt
2.25	0.33	7.5	150	30
2.75	0.33	7.5	30	30
27.25	0.313	7.5	150	30
27.75	0.311	7.5	30	30
52.25	0.297	7.5	150	30
52.75	0.292	7.5	30	30
77.25	0.28	7.5	150	30
77.75	0.273	7.5	30	30
102.25	0.264	7.5	150	30
102.75	0.254	7.5	30	30

***The "Rule of Thumb" spacing guidelines are designed to achieve 1 foot-candle average and 0.1 foot-candle minimum with a 40:1 maximum/minimum ratio. The corridor used is 100 feet long, 9 foot ceiling with a 6 foot wide walkway and 3 foot path of egress. The reflectances are 80% ceiling, 50% walls and 20% floors. The fixture mounting height is 7.5 feet. Eaton assumes no responsibility for local requirements or specific project variables. This is a guideline to be used as a design aid, not as guarantee of any code compliance.

TECHNICAL DATA

AccuLED Optics

The AccuLED precision engineered optics display sharp cutoffs and oval light pattern, which provide a clear path of egress per UL924 standards. The efficient optical design increases spacing distance between units, while providing evenly diffused light pattern throughout the egress path for both 1 foot candle minimum and 0.1 ft candle minimum specifications.

Mechanical Housing

All components are injection molded with a color stable, high impact thermoplastic resin. The surface is textured to improve aesthetic appearance. The housing construction is designed with snap-fit components and reinforcement ribs to provide maximum strength at minimum installation effort. The mounting hole pattern is universal to junction box requirements and is suitable for both wall and ceiling mount applications.

EZ Hang – Mounting Feature

The hands-free EZ Hang feature allows the installer to hang the emergency light face from the back plate in order to easily and efficiently make the power connections.

Low Voltage Disconnect

When the battery’s terminal voltage falls, the low-voltage circuitry disconnects the lighting load. The disconnect remains in effect until normal utility power is restored preventing deep battery discharge.

Brownout Circuit

The brownout circuit on the SEL emergency light monitors the flow of AC current to the unit and activates the emergency light heads when a predetermined reduction of AC power occurs.

Warranty

SEL units are backed by a five-year warranty on the fixtures.



EZ Hang