

## Skylark LED+ Dimmer

Dimmer for dimmable LED, CFL, halogen, and incandescent bulbs.

### Features

- On/off rocker switch with a linear-slide dimmer for a standard designer wallplate opening.
- LED+ includes the most advanced technology for superior dimming of LED, CFL, halogen, and incandescent bulbs.
- UL® Listed to control:
  - Dimmable LEDs
  - Dimmable compact fluorescent lamps (CFL) with integrated ballast
  - Lutron LTEA Hi-lume 1% forward-phase LED driver
  - Halogen
  - Incandescent
- Low-end adjustment to accommodate a wide range of bulbs.
- Switch returns load to previous level.
- 100% factory tested.
- Formerly C•L.

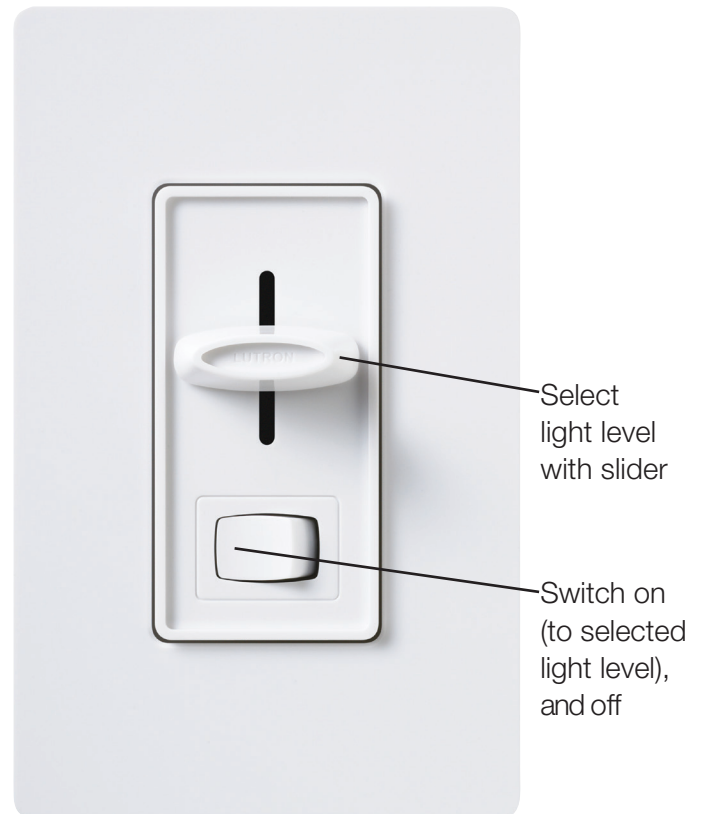
### Application Requirements

- **When dimming LEDs or CFLs, only bulbs marked or rated as DIMMABLE may be used.**
- For a complete list of compatible DIMMABLE LEDs please visit [www.lutron.com/LEDfinder](http://www.lutron.com/LEDfinder)
- Some DIMMABLE LEDs and CFLs require a minimum number of bulbs for proper operation. For details and a list of bulbs, please visit [www.lutron.com/LEDfinder](http://www.lutron.com/LEDfinder)

### Model Number

SCL-153P-XX<sup>1, 2</sup>      Single pole/3-way<sup>3</sup>  
 SCL-153PH-XX-C<sup>1, 4</sup>      Single pole/3-way<sup>3</sup>

<sup>1</sup> "XX" in the model number represents color/finish code; see "Colors and Finishes" on next page.  
<sup>2</sup> For clamshell packaging, add "H" after "153P". Clamshell packaged product available in AL, IV, LA, and WH.  
<sup>3</sup> For 3-way and 4-way switching, use Claro switches or other mechanical switches.  
<sup>4</sup> Clamshell packaged product for Canada. Available in AL, IV, LA, and WH.



Wallplate sold separately

<b>Job Name:</b>	<b>Model Numbers:</b>
<b>Job Number:</b>	

## Specifications

### Regulatory Approvals

- UL<sup>®</sup> Listed to US and Canadian safety requirements UL1472/CSA C22.2 184.1
- NOM

### Power and Ratings

- 120 V~ 60 Hz
- 150 W dimmable LED/CFL
- or**
- 600 W incandescent/halogen
- or**
- Mixed bulb type per **Multigang and Mixed Bulb Type Ratings** table (see page 3)
- or**
- 250 W Lutron LTEA Hi-lume 1% forward-phase LED driver (6 max.)

### Environment

- For indoor use only
- Operating temperatures 0 °C to 40 °C (32 °F to 104 °F).

### Performance

- Power-failure memory
- Linear slider
- Electrostatic discharge tested
- Precise color matching
- Mechanical air-gap switch to disconnect load power

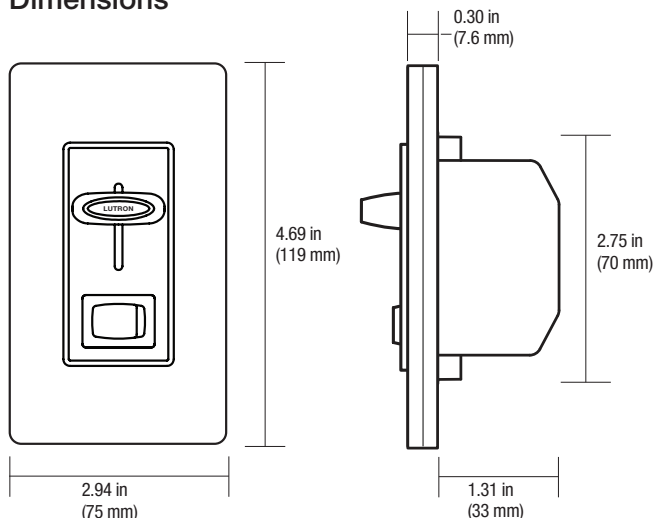
### Product Specific Features

- Capable of controlling up to 150 W dimmable LED/CFL or 600 W incandescent/halogen or Mixed bulb type per **Multigang and Mixed Bulb Type Ratings** table (see page 3)

### Warranty

- 1 Year Limited Warranty  
For additional Warranty information, please visit [www.lutron.com/TechnicalDocumentLibrary/369-119\\_Wallbox\\_Warranty.pdf](http://www.lutron.com/TechnicalDocumentLibrary/369-119_Wallbox_Warranty.pdf)

## Dimensions



**Note:** Requires a U.S. wallbox 2½ in (64 mm) deep minimum.

## Colors and Finishes:

### Gloss Finishes

Add color / finish code to model #

**Example: SCL-153P-WH**

WH	White
IV	Ivory
AL	Almond
LA	Light Almond
GR	Gray
BR	Brown
BL	Black

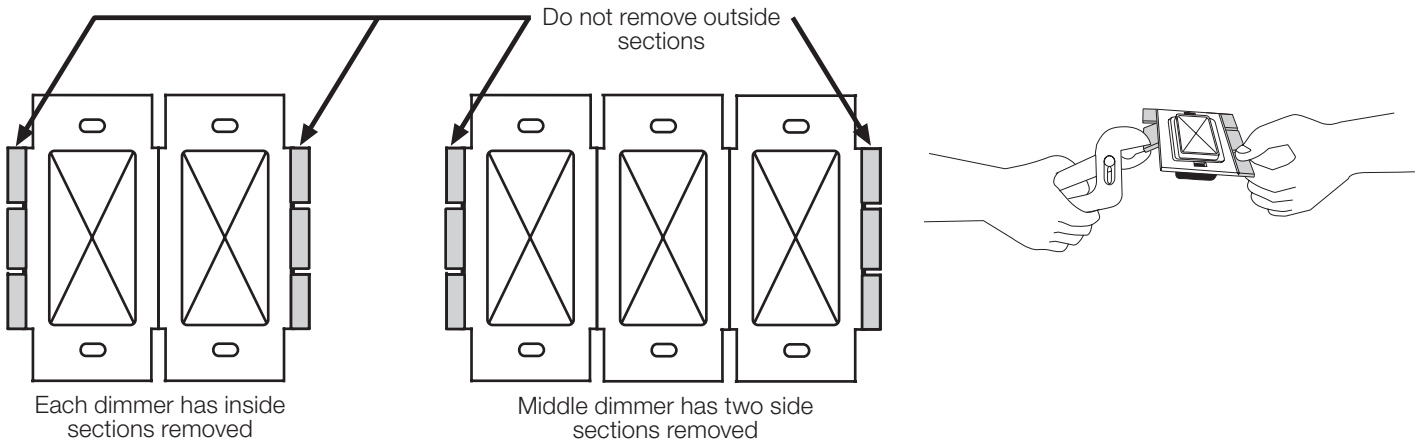
<b>Job Name:</b>	<b>Model Numbers:</b>
<b>Job Number:</b>	

## Multigang and Mixed-Bulb-Type Ratings

When installing more than one dimmer in the same wallbox, it may be necessary to remove some side sections prior to wiring (**see diagram**). Removal of dimmer side sections may reduce maximum wattage, as shown in the chart below.

Mixing bulb types (**using a combination of LED/CFL, and incandescent/halogen bulbs**) will also affect the maximum ratings, as shown in the chart below.

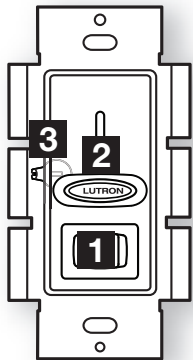
\*EXAMPLE: If one set of side sections is removed and you have three 10 W LED bulbs installed (Total LED Wattage = 30 W), you may add up to 300 W of incandescent or halogen lighting.



Total LED/CFL Wattage Installed (Wattage per bulb x # of bulbs)	LED CFL	Maximum Allowable Incandescent/Halogen Wattage		
		No sides removed	1 side removed	2 sides removed
0 W	+	600 W	500 W	400 W
1 W – 25 W	+	500 W	400 W	300 W
26 W – 50 W	+	400 W	300 W	200 W
51 W – 75 W	+	300 W	200 W	100 W
76 W – 100 W	+	200 W	100 W	50 W
101 W – 125 W	+	100 W	50 W	0 W
126 W – 150 W	+	0 W	0 W	0 W

Job Name:	Model Numbers:
Job Number:	

### Operation (View with wallplate removed)



**1** Switch  
Turns lights ON and OFF.

**2** Slider  
Controls light level.

+ ↑ Up  
Increases light level

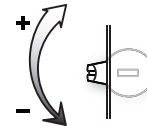
- ↓ Down  
Decreases light level

**IMPORTANT:** Set slider to bottom before adjusting dimming range.

### Lever-type Adjustment Dial

**3** Adjustment lever  
Sets low end dimming limit.

Up (clockwise)  
Increases brightness



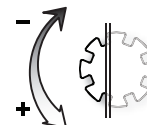
Down (counter-clockwise)  
Decreases brightness

OR

### Wheel-type Adjustment Dial

**3** Adjustment dial  
Sets low end dimming limit.

Up (clockwise)  
Decreases brightness

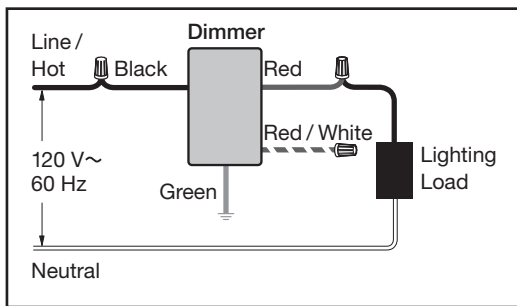


Down (counter-clockwise)  
Increases brightness

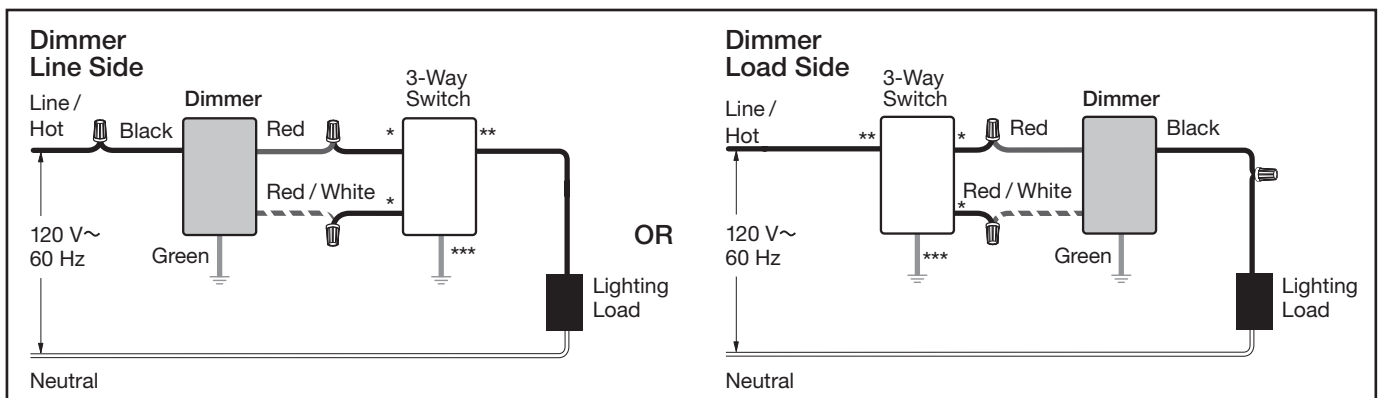
Job Name:	Model Numbers:
Job Number:	

# Wiring Diagrams

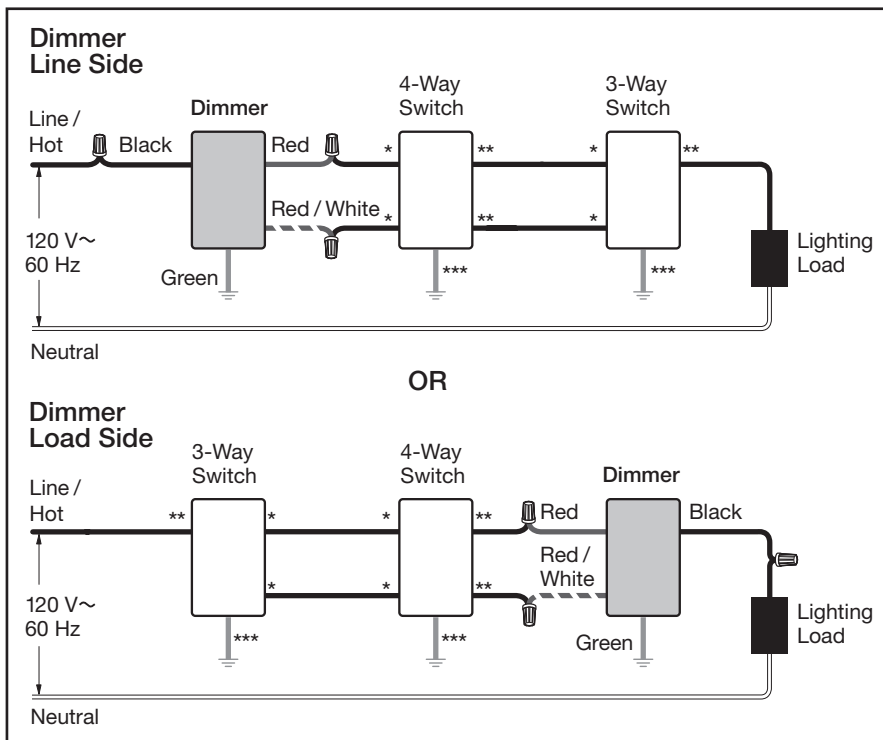
## Single-Pole Wiring



## 3-Way Wiring



## 4-Way Wiring



- \* or Copper/Black screw terminal
- \*\* or Brass/Gold screw terminal
- \*\*\* or Green screw terminal
- † Please refer to the switch's instruction sheet for proper wiring.

**Note for 4-Way Wiring:**  
Dimmer must be installed Line Side or Load Side. It cannot be installed in the 4-way location.

The Lutron logo, Lutron, Skylark, LED+, Hi-lume, C•L, and Claro are trademarks or registered trademarks of Lutron Electronics Co., Inc. in the US and/or other countries. All other product names, logos, and brands are property of their respective owners.

Job Name:	Model Numbers:
Job Number:	

## Skylark LED+ Dimmer

Dimmer for dimmable LED, CFL, halogen, and incandescent bulbs.

### Features

- On/off rocker switch with a linear-slide dimmer for a standard designer wallplate opening.
- LED+ includes the most advanced technology for superior dimming of LED, CFL, halogen, and incandescent bulbs.
- UL® Listed to control:
  - Dimmable LEDs
  - Dimmable compact fluorescent lamps (CFL) with integrated ballast
  - Lutron LTEA Hi-lume 1% forward-phase LED driver
  - Halogen
  - Incandescent
- Low-end adjustment to accommodate a wide range of bulbs.
- Switch returns load to previous level.
- 100% factory tested.
- Formerly C•L.

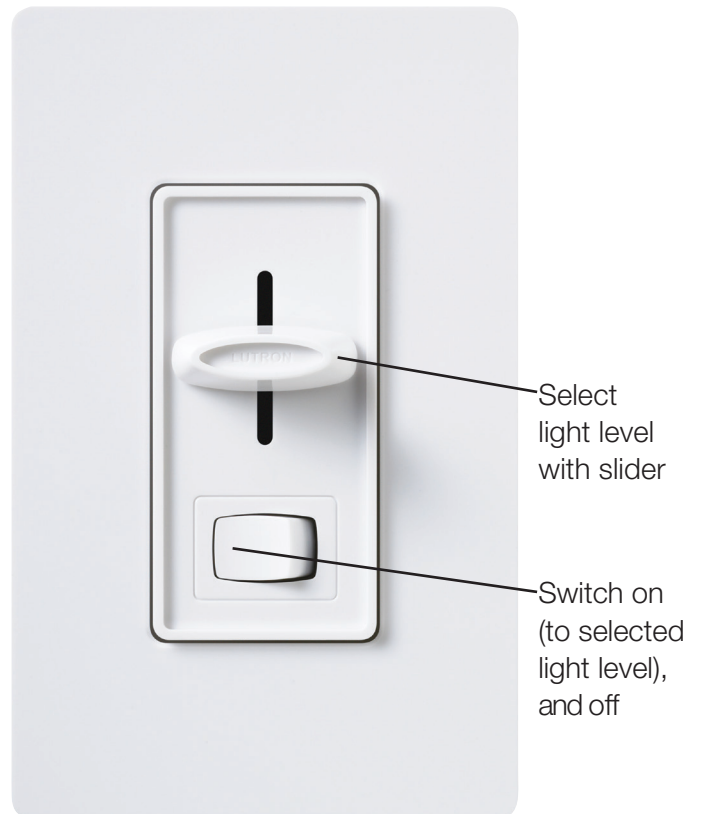
### Application Requirements

- **When dimming LEDs or CFLs, only bulbs marked or rated as DIMMABLE may be used.**
- For a complete list of compatible DIMMABLE LEDs please visit [www.lutron.com/LEDfinder](http://www.lutron.com/LEDfinder)
- Some DIMMABLE LEDs and CFLs require a minimum number of bulbs for proper operation. For details and a list of bulbs, please visit [www.lutron.com/LEDfinder](http://www.lutron.com/LEDfinder)

### Model Number

SCL-153P-XX<sup>1, 2</sup>      Single pole/3-way<sup>3</sup>  
 SCL-153PH-XX-C<sup>1, 4</sup>      Single pole/3-way<sup>3</sup>

<sup>1</sup> "XX" in the model number represents color/finish code; see "Colors and Finishes" on next page.  
<sup>2</sup> For clamshell packaging, add "H" after "153P". Clamshell packaged product available in AL, IV, LA, and WH.  
<sup>3</sup> For 3-way and 4-way switching, use Claro switches or other mechanical switches.  
<sup>4</sup> Clamshell packaged product for Canada. Available in AL, IV, LA, and WH.



Wallplate sold separately

<b>Job Name:</b>	<b>Model Numbers:</b>
<b>Job Number:</b>	

## Specifications

### Regulatory Approvals

- UL<sup>®</sup> Listed to US and Canadian safety requirements UL1472/CSA C22.2 184.1
- NOM

### Power and Ratings

- 120 V~ 60 Hz
- 150 W dimmable LED/CFL
- or**
- 600 W incandescent/halogen
- or**
- Mixed bulb type per **Multigang and Mixed Bulb Type Ratings** table (see page 3)
- or**
- 250 W Lutron LTEA Hi-lume 1% forward-phase LED driver (6 max.)

### Environment

- For indoor use only
- Operating temperatures 0 °C to 40 °C (32 °F to 104 °F).

### Performance

- Power-failure memory
- Linear slider
- Electrostatic discharge tested
- Precise color matching
- Mechanical air-gap switch to disconnect load power

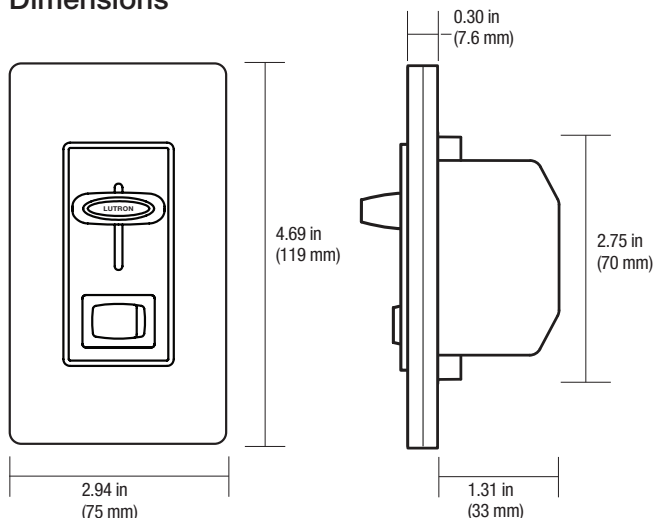
### Product Specific Features

- Capable of controlling up to 150 W dimmable LED/CFL or 600 W incandescent/halogen or Mixed bulb type per **Multigang and Mixed Bulb Type Ratings** table (see page 3)

### Warranty

- 1 Year Limited Warranty  
For additional Warranty information, please visit [www.lutron.com/TechnicalDocumentLibrary/369-119\\_Wallbox\\_Warranty.pdf](http://www.lutron.com/TechnicalDocumentLibrary/369-119_Wallbox_Warranty.pdf)

## Dimensions



**Note:** Requires a U.S. wallbox 2½ in (64 mm) deep minimum.

### Colors and Finishes:

#### Gloss Finishes

Add color / finish code to model #

**Example: SCL-153P-WH**

WH	White
IV	Ivory
AL	Almond
LA	Light Almond
GR	Gray
BR	Brown
BL	Black

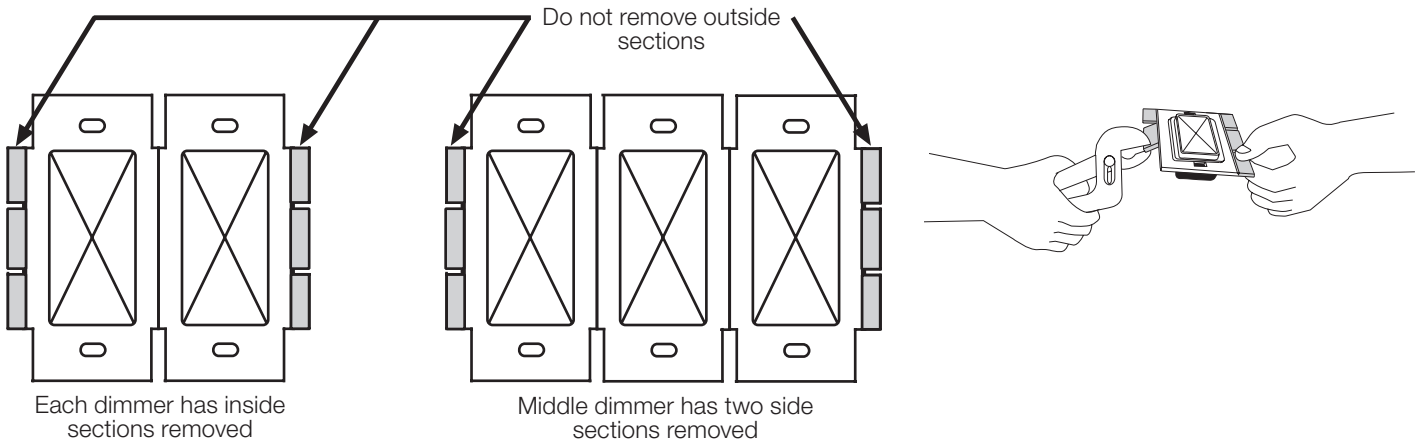
<b>Job Name:</b>	<b>Model Numbers:</b>
<b>Job Number:</b>	

## Multigang and Mixed-Bulb-Type Ratings

When installing more than one dimmer in the same wallbox, it may be necessary to remove some side sections prior to wiring (**see diagram**). Removal of dimmer side sections may reduce maximum wattage, as shown in the chart below.

Mixing bulb types (**using a combination of LED/CFL, and incandescent/halogen bulbs**) will also affect the maximum ratings, as shown in the chart below.

\*EXAMPLE: If one set of side sections is removed and you have three 10 W LED bulbs installed (Total LED Wattage = 30 W), you may add up to 300 W of incandescent or halogen lighting.

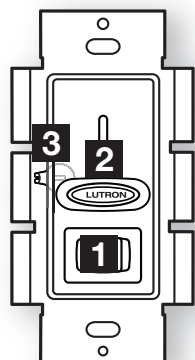


Total LED/CFL Wattage Installed (Wattage per bulb x # of bulbs)	LED CFL	Maximum Allowable Incandescent/Halogen Wattage		
		No sides removed	1 side removed	2 sides removed
0 W	+	600 W	500 W	400 W
1 W – 25 W	+	500 W	400 W	300 W
26 W – 50 W	+	400 W	300 W	200 W
51 W – 75 W	+	300 W	200 W	100 W
76 W – 100 W	+	200 W	100 W	50 W
101 W – 125 W	+	100 W	50 W	0 W
126 W – 150 W	+	0 W	0 W	0 W

Job Name:	Model Numbers:
Job Number:	



### Operation (View with wallplate removed)



**1** Switch  
Turns lights ON and OFF.

**2** Slider  
Controls light level.

+ ↑ Up  
Increases light level

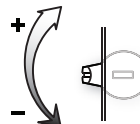
- ↓ Down  
Decreases light level

**IMPORTANT:** Set slider to bottom before adjusting dimming range.

### Lever-type Adjustment Dial

**3** Adjustment lever  
Sets low end dimming limit.

Up (clockwise)  
Increases brightness



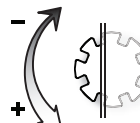
Down (counter-clockwise)  
Decreases brightness

OR

### Wheel-type Adjustment Dial

**3** Adjustment dial  
Sets low end dimming limit.

Up (clockwise)  
Decreases brightness

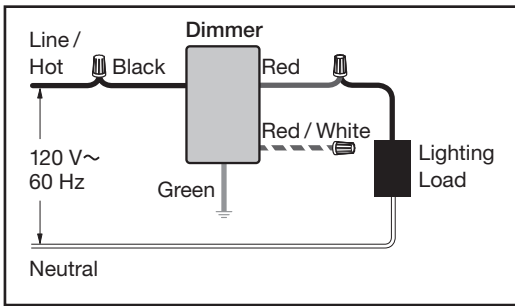


Down (counter-clockwise)  
Increases brightness

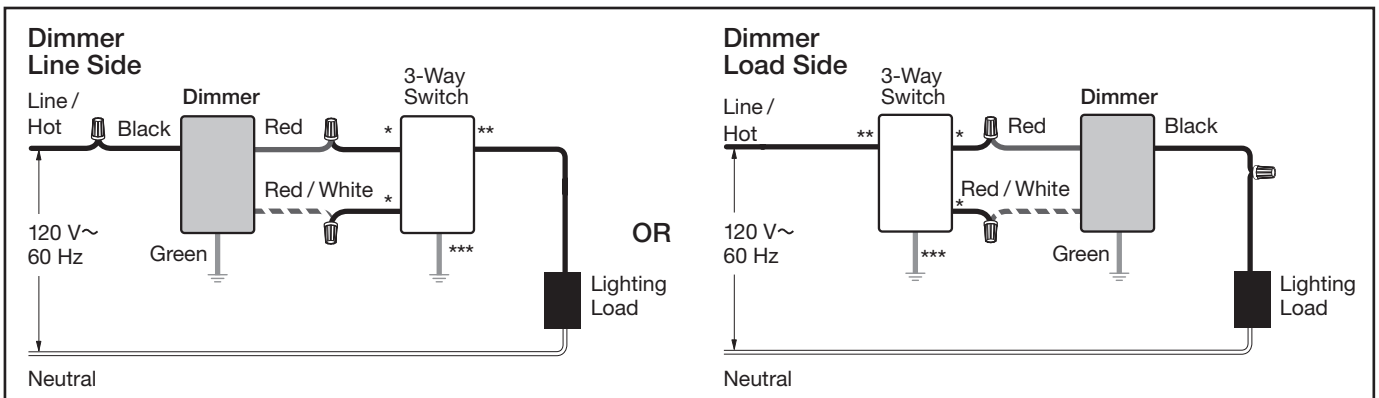
Job Name:	Model Numbers:
Job Number:	

# Wiring Diagrams

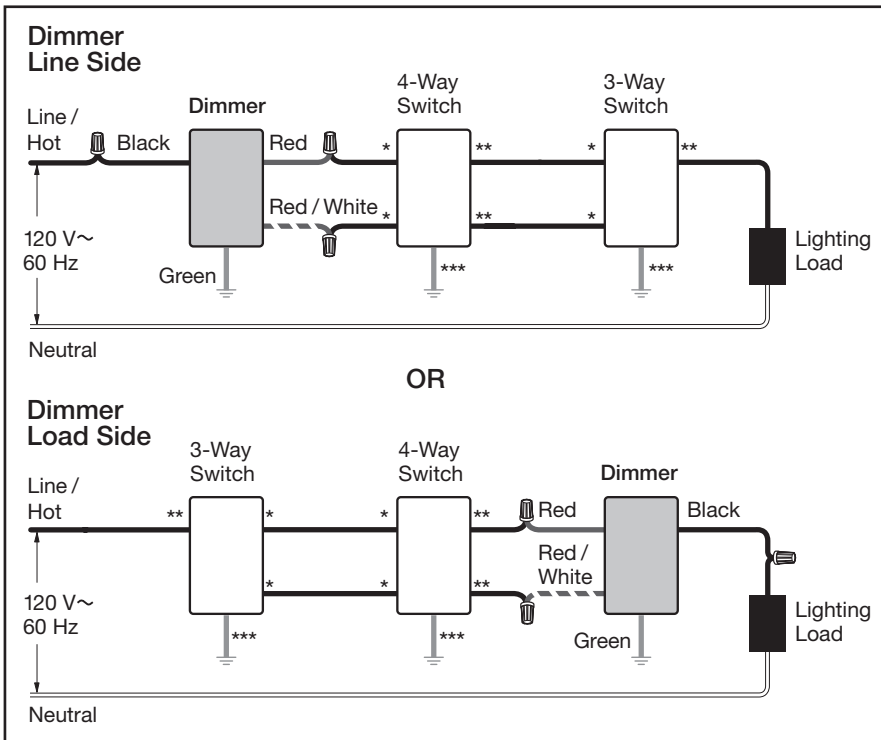
## Single-Pole Wiring



## 3-Way Wiring



## 4-Way Wiring



- \* or Copper/Black screw terminal
- \*\* or Brass/Gold screw terminal
- \*\*\* or Green screw terminal
- † Please refer to the switch's instruction sheet for proper wiring.

**Note for 4-Way Wiring:**  
Dimmer must be installed Line Side or Load Side. It cannot be installed in the 4-way location.

The Lutron logo, Lutron, Skylark, LED+, Hi-lume, C•L, and Claro are trademarks or registered trademarks of Lutron Electronics Co., Inc. in the US and/or other countries. All other product names, logos, and brands are property of their respective owners.

Job Name:	Model Numbers:
Job Number:	