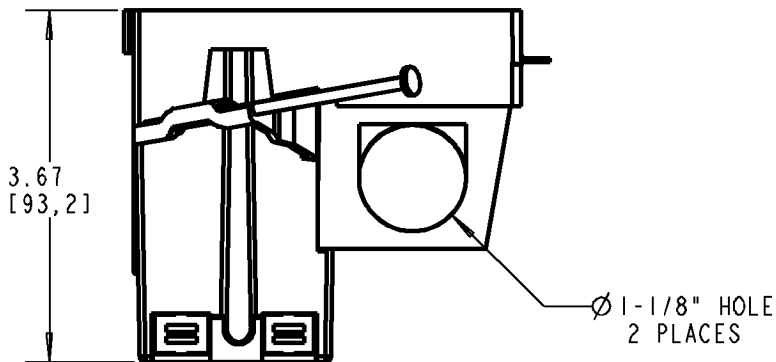
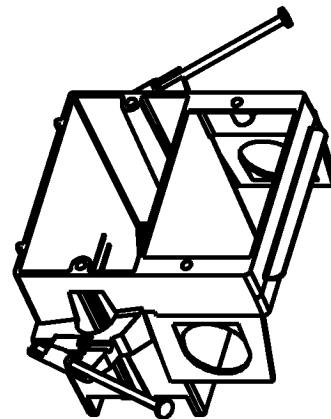
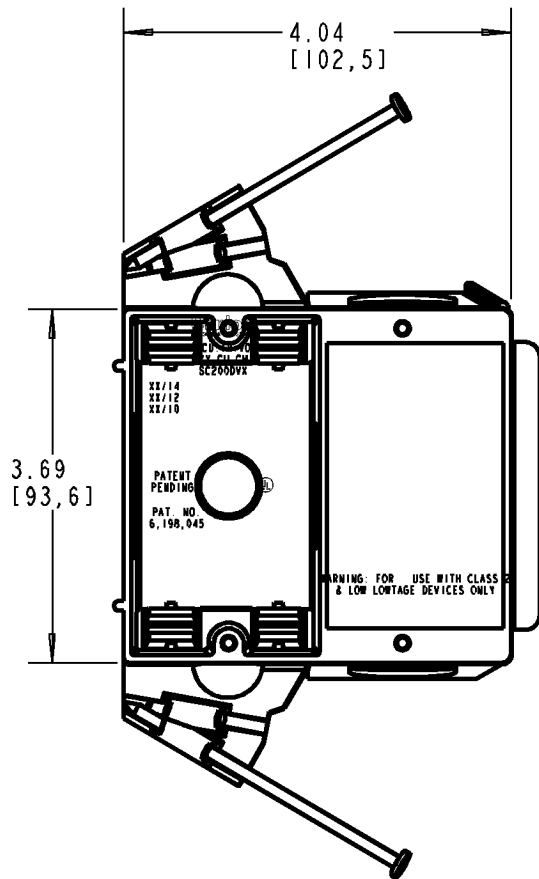


Carlton®



P/N
SC200DV
SC200DVR

GENERAL NOTES

1. ALL DIMENSIONS ARE FOR REFERENCE ONLY.
2. DIMENSIONS IN BRACKETS [] ARE IN METRIC UNITS.

REVISIONS

** SEE ERN (****)
FOR APPROVAL SIGNATURES
& RELEASE DATE.
PROJECT NO: ****

Thomas & Betts
www.tnb.com

DESCRIPTION:

**2 GANG DUAL VOLTAGE
DEVICE BOX/BACKET**

ORIGINAL PROJECT NO / (ERN NO)

/ ()

SHEET NO:

1 OF 1

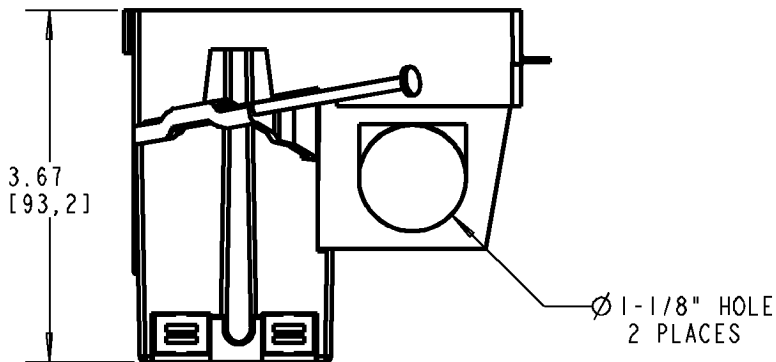
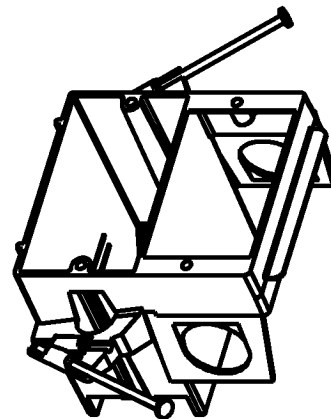
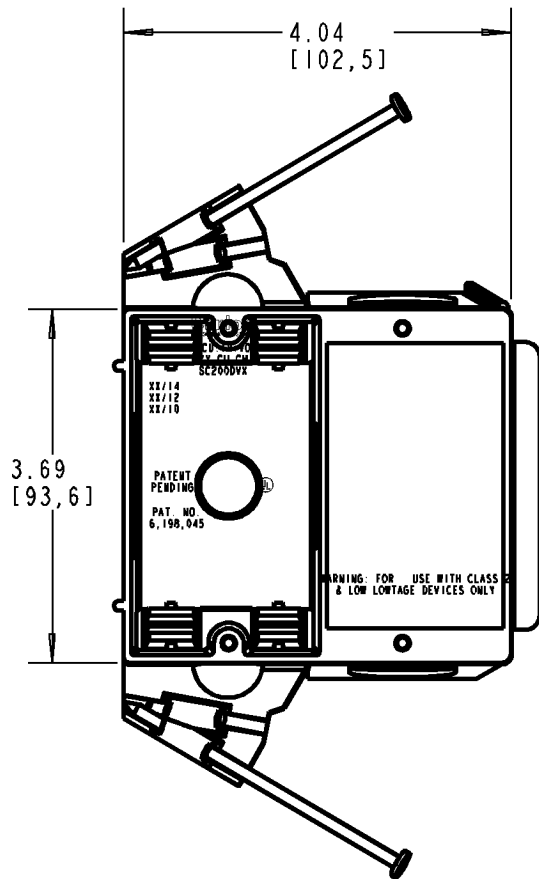
REV. NO:

A

DRAWING NO:

WSD-AC04001

Carlton®



P/N
SC200DV
SC200DVR

GENERAL NOTES

1. ALL DIMENSIONS ARE FOR REFERENCE ONLY.
2. DIMENSIONS IN BRACKETS [] ARE IN METRIC UNITS.

REVISIONS

*** SEE ERN (****)
FOR APPROVAL SIGNATURES
& RELEASE DATE.
PROJECT NO: ****

Thomas & Betts
www.tnb.com

DESCRIPTION:

**2 GANG DUAL VOLTAGE
DEVICE BOX/BACKET**

ORIGINAL PROJECT NO / (ERN NO)

/ ()

SHEET NO:

1 OF 1

REV. NO:

A

DRAWING NO:

WSD-AC04001