

Project		Catalog #		Type	
Prepared by		Notes		Date	



# HALO

## NightLight RL6-DM

6" Night Light LED Retrofit Direct Mount  
w/ Remote Driver/Junction Box  
1000 Lumen Series

### Typical Applications

Residential

### Product Certification



Refer to ENERGY STAR® Certified Products List.  
Can be used to comply with California Title 24 High Efficiency requirements.  
Certified to California Appliance Efficiency Database under JAB.

### Product Features



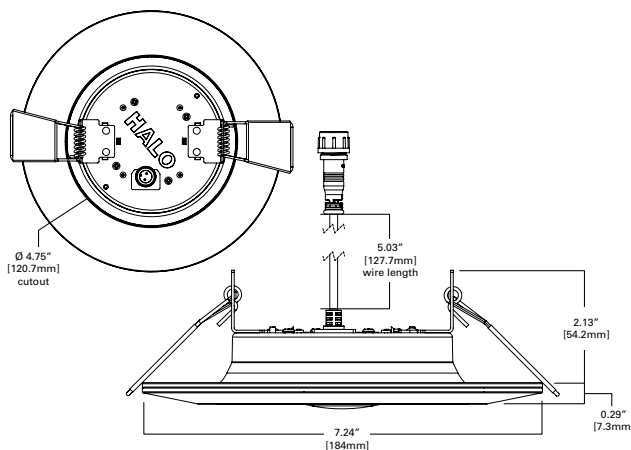
### Interactive Menu

- Order Information page 2
- Product Specifications page 3
- Photometric Data page 4
- Energy & Performance Data page 4
- Product Warranty

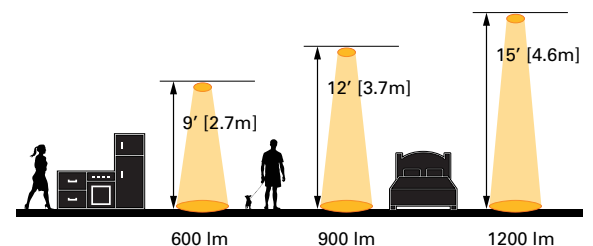
### Top Product Features

- 6" LED Direct Mount Night Light with Field Selectable CCT
- Direct mount - does not require recessed housing or junction box
- Select from 5 CCTs via switch: 2700K, 3000K, 3500K, 4000K, 5000K CCT
- Night light provides soft glow at 2000K CCT
- Wet location listed for showers and protected ceilings
- Dimmable to 5% with 120V dimmers

### Dimensional and Mounting Details



### Scale



additional product diagrams

## Order Information

SAMPLE ORDER NUMBER: **RL6069NLWHDMR**

A complete luminaire consists of an LED module and remote driver/junction box.

Models	CRI/CCT	Finish	Mounting	Packaging
<b>RL606</b> = 6" All-Purpose Retrofit LED module, 1000 lumens (nominal)	<b>9NL</b> = 90 CRI minimum, 2000K Night Light and white tuning, selectable CCT 2700K-5000K	<b>WH</b> = Matte white baffle	<b>DM</b> = Direct Mount	<b>R</b> = recyclable 4-color unit carton suitable for point of purchase merchandising display
<b>Notes</b>	<b>Notes</b>	<b>Notes</b>	<b>Notes</b>	<b>Notes</b>

## Accessories

### Accessories

#### Mounting Frame

**HL6RSMF** = 6" round and square mounting frame

#### Extension Cable | seleCCTable Driver/Jbox

**HLB06FSEC** - 6 ft. extension cable

**HLB12FSEC** - 12 ft. extension cable

**HLB20FSEC** - 20 ft. extension cable

## Light Modes

Flip wall switch On/Off/On under 1.5 seconds to change light mode.

### Downlight



### Night Light



## Product Specifications

### Night Light System

- Choose mode of light based on toggle of light switch

#### NIGHTLIGHT MODE:

- With wall switch in 'ON' position (downtlight on), cycle wall switch 'OFF' and back to 'ON' within 0.2-1.5 seconds. Fixture should illuminate in nightlight mode.
- Fixture will default back to downtlight mode when wall switch is cycled 'OFF' then 'ON'.

#### DOWNLIGHT MODE:

- Cycle wall switch to 'ON' position to turn on downtlight.
- Cycle wall switch to 'OFF' position to turn off downtlight.

### CCT Select System

- SeleCCTable models use the switch to choose between 2700K, 3000K, 3500K, 4000K, and 5000K CCT

### Module - Trim

- Module construction includes LED Array, heat sink, reflector, lens, baffle/trim ring and ceiling ring
- Regressed baffle
- Heat sink designed to conduct heat away from the LED array

### LED Array

- Mid power LED array provides a uniform source with high efficiency and no pixilation
- 90 CRI minimum, R9 greater than 50
- Color accuracy within 3 SDCM at the CCT endpoints and 4 SDCM in between endpoints, provide color accuracy and uniformity.
- Color Temperature (CCT) has an selectable range from 2700K to 5000K (factory default 3000K)

### Optical Assembly

- Regressed lens
- Impact-resistant polycarbonate
- Convex form and lamp-like appearance
- Diffuse for even illumination

### Remote Driver/ Junction Box

- Aluminum driver / junction box with captive hinged junction box cover
- Listed for (6) #12 AWG 90° C splice conductors, 2-in, 2-out plus (2) ground
- (2) ½" conduit pry-outs
- (2) Slide-N-Side™ non-metallic (NM) wire traps all
- Accepts 14-2, 14-3, 12-2, 12-3 U.S and 14-2, 14-3, 12-2 Canadian NM cable
- (3) 4-port push wire nuts with clear caps for quick and reliable mains voltage connections
- Integral keyhole mounting slots facilitate direct mounting to building structure or new construction mounting frame

### Driver

- Remote 120V 60 Hz constant current driver provides noise free operation
- Continuous, flicker-free dimming from 100% to 5%.
- Plenum rated inline electrical quick connect provides low voltage connection to fixture fitting

### Installation

- Can be installed in 1/2" to 1-1/4" thick ceilings
- Cutout can utilize standard round hole saw sizes, cutout template provided
- Heat treated springs hold fixture fitting securely in the ceiling eliminating light leaks
- Can be removed from below the ceiling for service or replacement

### Mounting / Retention

- The RL-DM requires no housing or third party junction box
- The remote enclosure may be used in direct contact with insulation
- Installer must cut template out of drywall and install into aperture with the clips compressed
- When released, the spring clips will rest on to the back side of the drywall
- Not for installation in recessed cans

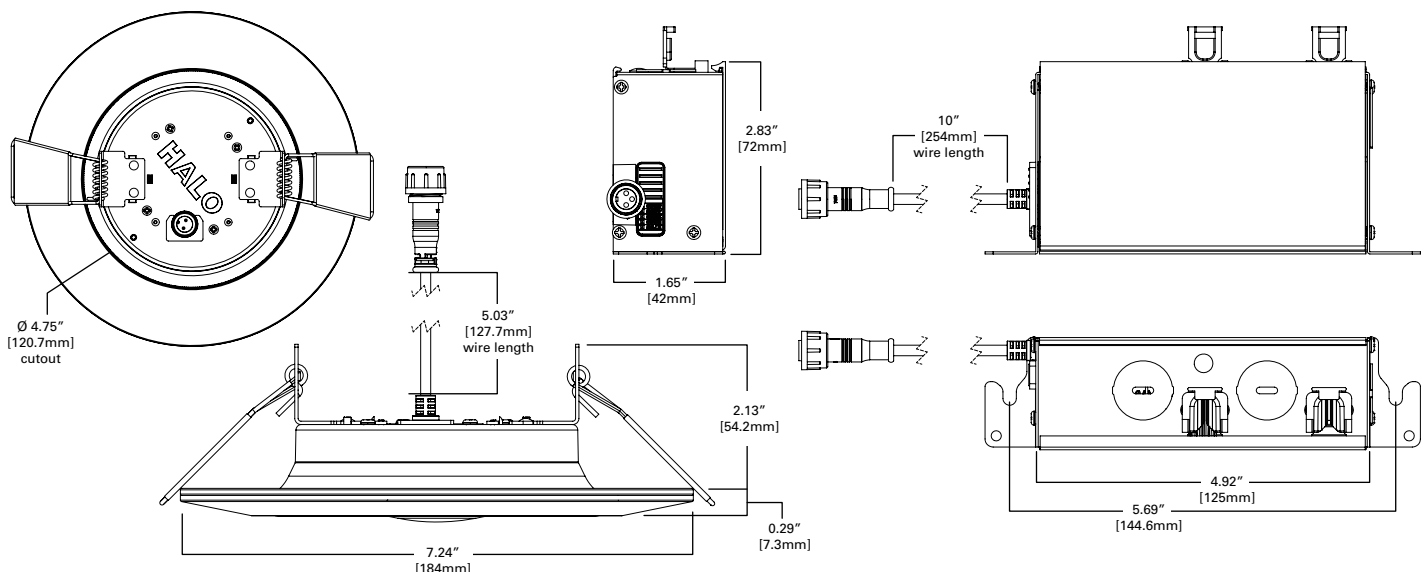
### Compliance

- UL Certified for US and Canada
- Wet and Damp location listed
- Airtight certified per ASTM-E283
- Suitable for use in closets when installed in accordance with the NEC 410.16 spacing requirements
- EMI/RFI emissions per FCC 47CFR Part 15 consumer limits
- Contains no mercury or lead and is RoHS compliant
- Photometric testing in accordance with IES LM- 79-08
- Lumen maintenance projections in accordance with IES LM-80-08 and TM-21-11
- Complies with State of California Title 24 JA8-2019-E as a high efficacy luminaire
- International Energy Conservation CoDe (IECC) and Washington State Energy Code compliant
- ENERGY STAR® listed, reference database for current listings

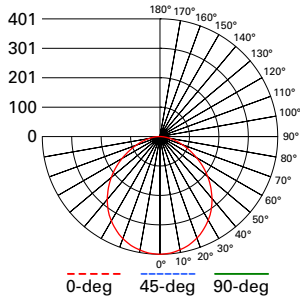
### Warranty

- Five year limited warranty, consult website for details. [www.cooperlighting.com/legal](http://www.cooperlighting.com/legal)

## Dimensional and Mounting Details



## Photometric Data



### RL6069NLWHDMR-3000K

Spacing criterion: (0-180) 1.22  
(90-270) 1.22  
(Diagonal) 1.32

Beam Angle: 104°

Field Angle: 158.1°

Lumens: 1040.9

Input Watts: 11.5 W

Efficacy: 90.5 LPW

Test Report:  
RL4069S1EWHR-3000K.ies

Zonal Lumen	Lumens	% Lumens
0-30	308	30
0-40	499	48
0-60	850	82
0-90	1041	100

TM-30-15	Rf = 95
	Rg = 101
CRI/CIE	Ra = 94
	R9 = 68

CCT - Range of 2700K- 5000K



104°

## Energy Data

Energy Data @ 3000K	
Lumens	600 Series
Input Voltage	120V
Input Current	98 (mA)
Input Power	11.5 (W)
Efficiency	90.4 (LPW)
Inrush (A)	1.35 (A)
THD: ≤ 20%	
PF: ≥ 0.90	
T Ambient -30 - +40°C	
Sound Rating ≤ 22dBA	

RL6-DM	CCT	Lumens	Power (W)	LPW
Field Selectable CCT	2700K	1005	11.5	87.4
	3000K	1040	11.5	90.4
	3500K	1065	11.5	92.6
	4000K	1085	11.5	94.3
	5000K	1115	11.5	97.0

## Product Specifications

### RL6069NLWHDMR

PRODUCT SPECIFICATIONS	
Lumens	1040
Watts	11.5
Lumens Per Watt (Efficacy)	90.4
Color Accuracy (CRI)	94
Light Color (CCT) Correlated Color Temperature (CCT)	3000K
	2700K 3000K 4500K 6500K

Project		Catalog #		Type	
Prepared by		Notes		Date	



# HALO

## NightLight RL6-DM

6" Night Light LED Retrofit Direct Mount  
w/ Remote Driver/Junction Box  
1000 Lumen Series

### Typical Applications

Residential

### Product Certification



Refer to ENERGY STAR® Certified Products List.  
Can be used to comply with California Title 24 High Efficiency requirements.  
Certified to California Appliance Efficiency Database under JAB.

### Product Features



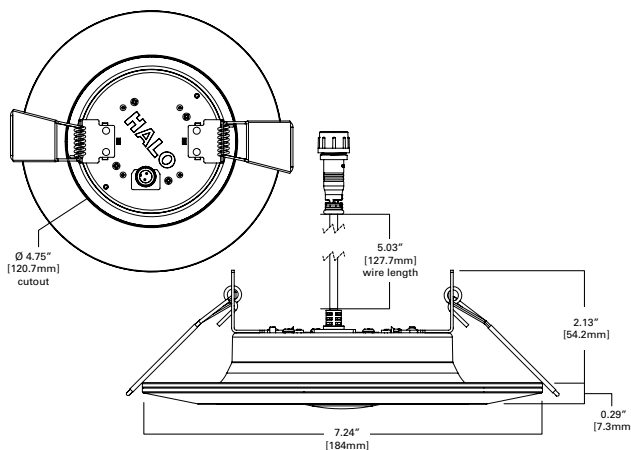
### Interactive Menu

- Order Information page 2
- Product Specifications page 3
- Photometric Data page 4
- Energy & Performance Data page 4
- Product Warranty

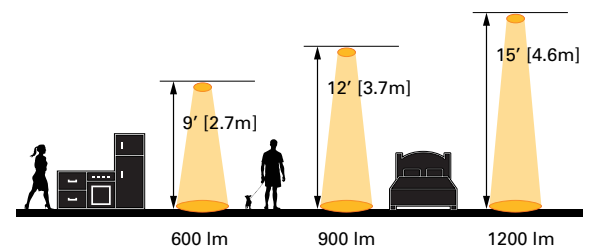
### Top Product Features

- 6" LED Direct Mount Night Light with Field Selectable CCT
- Direct mount - does not require recessed housing or junction box
- Select from 5 CCTs via switch: 2700K, 3000K, 3500K, 4000K, 5000K CCT
- Night light provides soft glow at 2000K CCT
- Wet location listed for showers and protected ceilings
- Dimmable to 5% with 120V dimmers

### Dimensional and Mounting Details



### Scale



additional product diagrams

## Order Information

SAMPLE ORDER NUMBER: **RL6069NLWHDMR**

A complete luminaire consists of an LED module and remote driver/junction box.

Models	CRI/CCT	Finish	Mounting	Packaging
<b>RL606</b> = 6" All-Purpose Retrofit LED module, 1000 lumens (nominal)	<b>9NL</b> = 90 CRI minimum, 2000K Night Light and white tuning, selectable CCT 2700K-5000K	<b>WH</b> = Matte white baffle	<b>DM</b> = Direct Mount	<b>R</b> = recyclable 4-color unit carton suitable for point of purchase merchandising display
<b>Notes</b>	<b>Notes</b>	<b>Notes</b>	<b>Notes</b>	<b>Notes</b>

## Accessories

### Accessories

#### Mounting Frame

**HL6RSMF** = 6" round and square mounting frame

#### Extension Cable | seleCCTable Driver/Jbox

**HLB06FSEC** - 6 ft. extension cable

**HLB12FSEC** - 12 ft. extension cable

**HLB20FSEC** - 20 ft. extension cable

## Light Modes

Flip wall switch On/Off/On under 1.5 seconds to change light mode.

### Downlight



### Night Light





## Product Specifications

### Night Light System

- Choose mode of light based on toggle of light switch

#### NIGHTLIGHT MODE:

- With wall switch in 'ON' position (downtlight on), cycle wall switch 'OFF' and back to 'ON' within 0.2-1.5 seconds. Fixture should illuminate in nightlight mode.
- Fixture will default back to downtlight mode when wall switch is cycled 'OFF' then 'ON'.

#### DOWNLIGHT MODE:

- Cycle wall switch to 'ON' position to turn on downtlight.
- Cycle wall switch to 'OFF' position to turn off downtlight.

### CCT Select System

- SeleCCTable models use the switch to choose between 2700K, 3000K, 3500K, 4000K, and 5000K CCT

### Module - Trim

- Module construction includes LED Array, heat sink, reflector, lens, baffle/trim ring and ceiling ring
- Regressed baffle
- Heat sink designed to conduct heat away from the LED array

### LED Array

- Mid power LED array provides a uniform source with high efficiency and no pixilation
- 90 CRI minimum, R9 greater than 50
- Color accuracy within 3 SDCM at the CCT endpoints and 4 SDCM in between endpoints, provide color accuracy and uniformity.
- Color Temperature (CCT) has an selectable range from 2700K to 5000K (factory default 3000K)

### Optical Assembly

- Regressed lens
- Impact-resistant polycarbonate
- Convex form and lamp-like appearance
- Diffuse for even illumination

### Remote Driver/ Junction Box

- Aluminum driver / junction box with captive hinged junction box cover
- Listed for (6) #12 AWG 90° C splice conductors, 2-in, 2-out plus (2) ground
- (2) ½" conduit pry-outs
- (2) Slide-N-Side™ non-metallic (NM) wire traps all
- Accepts 14-2, 14-3, 12-2, 12-3 U.S and 14-2, 14-3, 12-2 Canadian NM cable
- (3) 4-port push wire nuts with clear caps for quick and reliable mains voltage connections
- Integral keyhole mounting slots facilitate direct mounting to building structure or new construction mounting frame

### Driver

- Remote 120V 60 Hz constant current driver provides noise free operation
- Continuous, flicker-free dimming from 100% to 5%.
- Plenum rated inline electrical quick connect provides low voltage connection to fixture fitting

### Installation

- Can be installed in 1/2" to 1-1/4" thick ceilings
- Cutout can utilize standard round hole saw sizes, cutout template provided
- Heat treated springs hold fixture fitting securely in the ceiling eliminating light leaks
- Can be removed from below the ceiling for service or replacement

### Mounting / Retention

- The RL-DM requires no housing or third party junction box
- The remote enclosure may be used in direct contact with insulation
- Installer must cut template out of drywall and install into aperture with the clips compressed
- When released, the spring clips will rest on to the back side of the drywall
- Not for installation in recessed cans

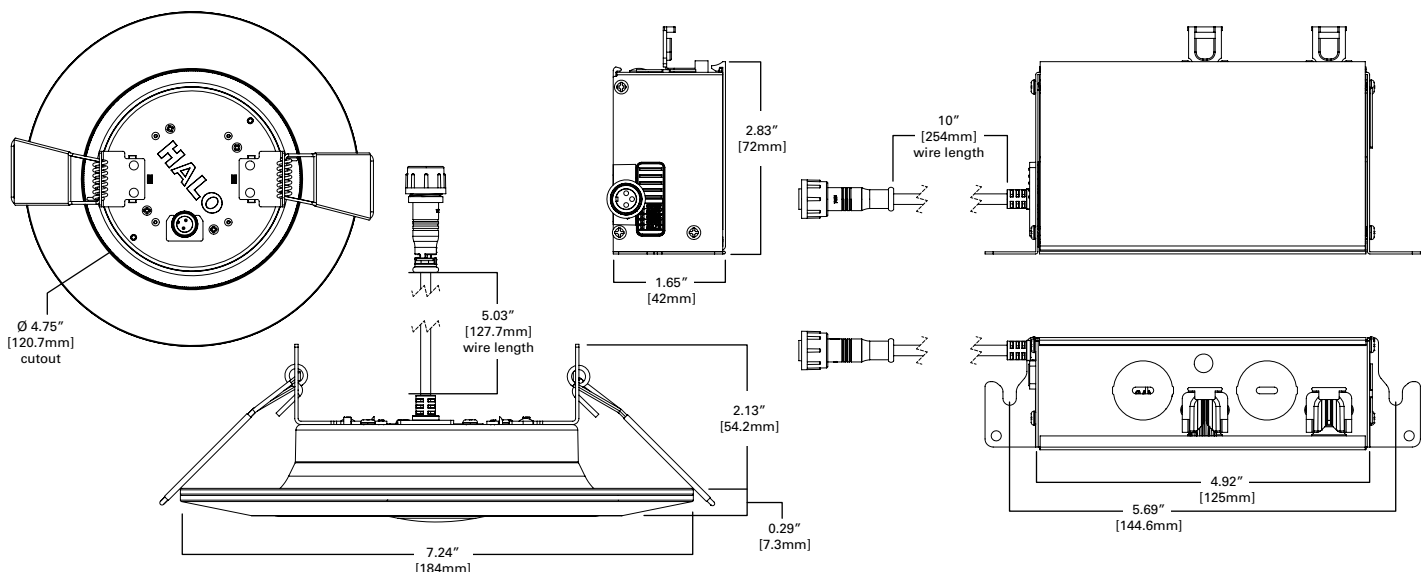
### Compliance

- UL Certified for US and Canada
- Wet and Damp location listed
- Airtight certified per ASTM-E283
- Suitable for use in closets when installed in accordance with the NEC 410.16 spacing requirements
- EMI/RFI emissions per FCC 47CFR Part 15 consumer limits
- Contains no mercury or lead and is RoHS compliant
- Photometric testing in accordance with IES LM- 79-08
- Lumen maintenance projections in accordance with IES LM-80-08 and TM-21-11
- Complies with State of California Title 24 JA8-2019-E as a high efficacy luminaire
- International Energy Conservation CoDe (IECC) and Washington State Energy Code compliant
- ENERGY STAR® listed, reference database for current listings

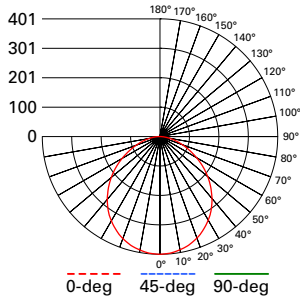
### Warranty

- Five year limited warranty, consult website for details. [www.cooperlighting.com/legal](http://www.cooperlighting.com/legal)

## Dimensional and Mounting Details



## Photometric Data



### RL6069NLWHDMR-3000K

Spacing criterion: (0-180) 1.22  
(90-270) 1.22  
(Diagonal) 1.32

Beam Angle: 104°

Field Angle: 158.1°

Lumens: 1040.9

Input Watts: 11.5 W

Efficacy: 90.5 LPW

Test Report:  
RL4069S1EWHR-3000K.ies

Zonal Lumen	Lumens	% Lumens
0-30	308	30
0-40	499	48
0-60	850	82
0-90	1041	100

TM-30-15	Rf = 95
	Rg = 101
CRI/CIE	Ra = 94
	R9 = 68

CCT - Range of 2700K- 5000K



104°

## Energy Data

Energy Data @ 3000K	
Lumens	600 Series
Input Voltage	120V
Input Current	98 (mA)
Input Power	11.5 (W)
Efficiency	90.4 (LPW)
Inrush (A)	1.35 (A)
THD: ≤ 20%	
PF: ≥ 0.90	
T Ambient -30 - +40°C	
Sound Rating ≤ 22dBA	

RL6-DM	CCT	Lumens	Power (W)	LPW
Field Selectable CCT	2700K	1005	11.5	87.4
	3000K	1040	11.5	90.4
	3500K	1065	11.5	92.6
	4000K	1085	11.5	94.3
	5000K	1115	11.5	97.0

## Product Specifications

### RL6069NLWHDMR

PRODUCT SPECIFICATIONS	
Lumens	1040
Watts	11.5
Lumens Per Watt (Efficacy)	90.4
Color Accuracy (CRI)	94
Light Color (CCT) Correlated Color Temperature (CCT)	3000K
	2700K 3000K 4500K 6500K