

**RAISED COVER WITH LATCHES, TYPE 4X**

**INDUSTRY STANDARDS**

UL 508A Listed; Type 3, 3R, 4, 4X, 12, 13; File No. E54315  
 cUL Listed per CSA C22.2 No 94; Type 3, 3R, 4, 4X, 12, 13; File No. E54315  
 Enclosure flammability per UL 508A

NEMA/EEMAC Type 3, 3R, 4, 4X, 12, 13  
 CSA File No. 217184: Type 3, 3R, 4, 4X, 12, 13  
 IEC 60529, IP66  
 Meets NEMA Type 3RX requirements

**APPLICATION**

Enclosures feature a raised, hinged, overlapping cover design that ensures a more secure seal and offers increased internal space for mounting components. Available with solid and window covers. Latches provide easy access and security.

**SPECIFICATIONS**

- Compression-molded fiberglass construction
- Overlapping raised solid and window covers
- Windows are clear polycarbonate
- Cover fastens with padlockable Type 316 stainless steel latches
- Type 304 stainless steel piano hinges
- Integral mounting brackets
- Enclosures protect equipment and operators from indirect electrical contact
- Material is halogen free

**FINISH**

Fiberglass material is RAL 7035 light-gray inside and out. Optional steel panels are painted white. Optional stainless steel, aluminum, conductive and composite panels are unpainted.

**ACCESSORIES**

See also *Accessories*.  
 H2OMIT Vent Drains, Type 4X  
 HOL-SEALERS Non-Metallic Hole Seals  
 Panels for Junction Boxes  
 Swing-Out Panel Kit  
 Terminal Block Kit Assembly for Junction Boxes Overview

**MODIFICATION AND CUSTOMIZATION**

Hoffman excels at modifying and customizing products to your specifications. Contact your local Hoffman sales office or distributor for complete information.

**BULLETIN: HJ**
**Standard Product**

Catalog Number	Ax B x C in./mm	No. of Latches	Window Size		D in./mm	F in./mm	G in./mm	H in./mm	I in./mm	J in./mm	K in./mm	L in./mm	P in./mm	Q in./mm	W in./mm
			M x N in./mm												
RHJB1008HWPL1LG	9.70 x 7.71 x 5.91 246 x 196 x 150	1	8.00 x 6.00		6.86	6.49	10.75	6.00	11.51	4.50	3.15	11.22	8.25	6.25	9.22
RHJB1210HWPL2LG	11.68 x 9.69 x 6.16 296 x 246 x 156	2	10.00 x 8.00		7.05	6.73	12.75	8.00	13.51	4.66	3.15	13.22	10.25	8.25	11.22
RHJB1412HWPL2LG	13.62 x 11.62 x 7.24 346 x 295 x 184	2	12.00 x 10.00		8.13	7.81	14.75	10.00	15.50	5.63	3.25	15.32	12.25	10.25	13.22
RHJB1614HWPL2LG	15.62 x 13.62 x 7.24 396 x 346 x 184	2	14.00 x 12.00		8.13	7.81	16.75	12.00	17.51	5.63	3.25	17.22	14.25	12.25	15.22
RHJ1008HWPL1LG	9.70 x 7.71 x 5.91 246 x 196 x 150	1	---		6.86	6.49	10.75	6.00	11.51	4.50	3.15	11.22	8.25	6.25	9.22
RHJ1210HWPL2LG	11.68 x 9.69 x 6.16 296 x 246 x 156	2	---		7.05	6.73	12.75	6.00	13.51	4.66	3.15	13.22	10.25	8.25	11.22
RHJ1412HWPL2LG	13.62 x 11.62 x 7.24 346 x 295 x 184	2	---		8.13	7.81	14.75	10.00	15.51	5.63	3.25	15.22	12.25	10.25	13.22
RHJ1614HWPL2LG	15.62 x 13.62 x 7.24 396 x 346 x 184	2	---		8.13	7.81	16.75	12.00	17.51	5.63	3.25	17.22	14.25	12.25	15.22
RHJ1816HWPL2LG	17.48 x 15.77 x 9.44 444 x 400 x 240	2	---		10.25	10.01	18.74	12.00	19.51	7.76	3.25	19.22	16.25	14.25	17.22

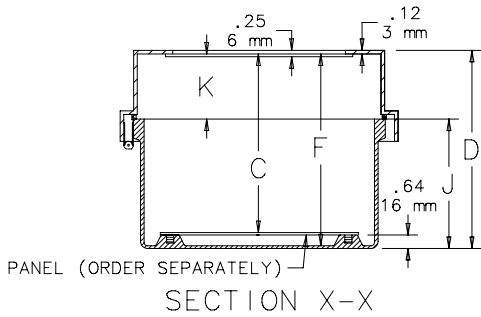
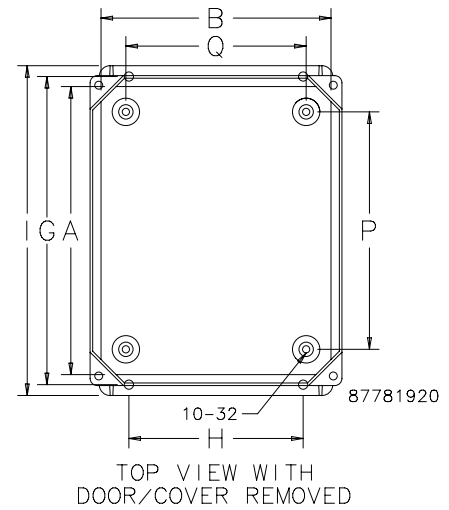
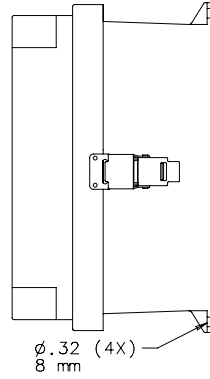
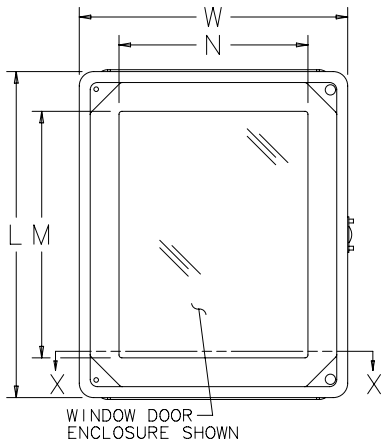
A x B x C are internal dimensions.

Purchase panels separately. Optional stainless steel, composite and aluminum panels are available for most sizes.

**Panels**

Enclosure Catalog Number	Steel Panel	Aluminum Panel	Panel Size in./mm
RHJB1008HWPL1LG	A10P8	A10P8AL	8.75 x 6.88 222 x 102
RHJB1210HWPL2LG	A12P10	A12P10AL	10.75 x 8.88 273 x 226
RHJB1412HWPL2LG	A14P12	A14P12AL	12.75 x 10.88 324 x 276
RHJB1614HWPL2LG	A16P14	A16P14AL	14.75 x 12.88 375 x 327
RHJ1008HWPL1LG	A10P8	A10P8AL	8.75 x 6.88 222 x 102
RHJ1210HWPL2LG	A12P10	A12P10AL	10.75 x 8.88 273 x 226
RHJ1412HWPL2LG	A14P12	A14P12AL	12.75 x 10.88 324 x 276
RHJ1614HWPL2LG	A16P14	A16P14AL	14.75 x 12.88 375 x 327
RHJ1816HWPL2LG	A18P16	A18P16AL	16.75 x 14.88 425 x 378

**Raised Cover Window Enclosures**



**RAISED COVER WITH LATCHES, TYPE 4X**

**INDUSTRY STANDARDS**

UL 508A Listed; Type 3, 3R, 4, 4X, 12, 13; File No. E54315  
 cUL Listed per CSA C22.2 No 94; Type 3, 3R, 4, 4X, 12, 13; File No. E54315  
 Enclosure flammability per UL 508A

NEMA/EEMAC Type 3, 3R, 4, 4X, 12, 13  
 CSA File No. 217184: Type 3, 3R, 4, 4X, 12, 13  
 IEC 60529, IP66  
 Meets NEMA Type 3RX requirements

**APPLICATION**

Enclosures feature a raised, hinged, overlapping cover design that ensures a more secure seal and offers increased internal space for mounting components. Available with solid and window covers. Latches provide easy access and security.

**SPECIFICATIONS**

- Compression-molded fiberglass construction
- Overlapping raised solid and window covers
- Windows are clear polycarbonate
- Cover fastens with padlockable Type 316 stainless steel latches
- Type 304 stainless steel piano hinges
- Integral mounting brackets
- Enclosures protect equipment and operators from indirect electrical contact
- Material is halogen free

**FINISH**

Fiberglass material is RAL 7035 light-gray inside and out. Optional steel panels are painted white. Optional stainless steel, aluminum, conductive and composite panels are unpainted.

**ACCESSORIES**

See also *Accessories*.  
 H2OMIT Vent Drains, Type 4X  
 HOL-SEALERS Non-Metallic Hole Seals  
 Panels for Junction Boxes  
 Swing-Out Panel Kit  
 Terminal Block Kit Assembly for Junction Boxes Overview

**MODIFICATION AND CUSTOMIZATION**

Hoffman excels at modifying and customizing products to your specifications. Contact your local Hoffman sales office or distributor for complete information.

**BULLETIN: HJ**
**Standard Product**

Catalog Number	Ax B x C in./mm	No. of Latches	Window Size		D in./mm	F in./mm	G in./mm	H in./mm	I in./mm	J in./mm	K in./mm	L in./mm	P in./mm	Q in./mm	W in./mm
			M x N in./mm												
RHJB1008HWPL1LG	9.70 x 7.71 x 5.91 246 x 196 x 150	1	8.00 x 6.00		6.86	6.49	10.75	6.00	11.51	4.50	3.15	11.22	8.25	6.25	9.22
RHJB1210HWPL2LG	11.68 x 9.69 x 6.16 296 x 246 x 156	2	10.00 x 8.00		7.05	6.73	12.75	8.00	13.51	4.66	3.15	13.22	10.25	8.25	11.22
RHJB1412HWPL2LG	13.62 x 11.62 x 7.24 346 x 295 x 184	2	12.00 x 10.00		8.13	7.81	14.75	10.00	15.50	5.63	3.25	15.32	12.25	10.25	13.22
RHJB1614HWPL2LG	15.62 x 13.62 x 7.24 396 x 346 x 184	2	14.00 x 12.00		8.13	7.81	16.75	12.00	17.51	5.63	3.25	17.22	14.25	12.25	15.22
RHJ1008HWPL1LG	9.70 x 7.71 x 5.91 246 x 196 x 150	1	---		6.86	6.49	10.75	6.00	11.51	4.50	3.15	11.22	8.25	6.25	9.22
RHJ1210HWPL2LG	11.68 x 9.69 x 6.16 296 x 246 x 156	2	---		7.05	6.73	12.75	6.00	13.51	4.66	3.15	13.22	10.25	8.25	11.22
RHJ1412HWPL2LG	13.62 x 11.62 x 7.24 346 x 295 x 184	2	---		8.13	7.81	14.75	10.00	15.51	5.63	3.25	15.22	12.25	10.25	13.22
RHJ1614HWPL2LG	15.62 x 13.62 x 7.24 396 x 346 x 184	2	---		8.13	7.81	16.75	12.00	17.51	5.63	3.25	17.22	14.25	12.25	15.22
RHJ1816HWPL2LG	17.48 x 15.77 x 9.44 444 x 400 x 240	2	---		10.25	10.01	18.74	12.00	19.51	7.76	3.25	19.22	16.25	14.25	17.22

A x B x C are internal dimensions.

Purchase panels separately. Optional stainless steel, composite and aluminum panels are available for most sizes.

**Panels**

Enclosure Catalog Number	Steel Panel	Aluminum Panel	Panel Size in./mm
RHJB1008HWPL1LG	A10P8	A10P8AL	8.75 x 6.88 222 x 102
RHJB1210HWPL2LG	A12P10	A12P10AL	10.75 x 8.88 273 x 226
RHJB1412HWPL2LG	A14P12	A14P12AL	12.75 x 10.88 324 x 276
RHJB1614HWPL2LG	A16P14	A16P14AL	14.75 x 12.88 375 x 327
RHJ1008HWPL1LG	A10P8	A10P8AL	8.75 x 6.88 222 x 102
RHJ1210HWPL2LG	A12P10	A12P10AL	10.75 x 8.88 273 x 226
RHJ1412HWPL2LG	A14P12	A14P12AL	12.75 x 10.88 324 x 276
RHJ1614HWPL2LG	A16P14	A16P14AL	14.75 x 12.88 375 x 327
RHJ1816HWPL2LG	A18P16	A18P16AL	16.75 x 14.88 425 x 378

**Raised Cover Window Enclosures**

