



Cast Device Boxes

Description:

Plasti-Bond device boxes and covers are available in several configurations and may be used in coated conduit systems to accommodate wiring devices, to serve as pull boxes for conductors, or to allow for splices and taps in conductors. Covers are available separately. Electrical continuity of the conduit system is maintained across assembled joints.

Features:

- 40 mil gray PVC exterior coating
- 2 mil red urethane interior coating
- 3 trade sizes from 1/2" through 1"
- Available in Standard (FS) and Deep (FD) Styles
- Internal grounding screw is standard
- Sealing sleeves on all conduit openings

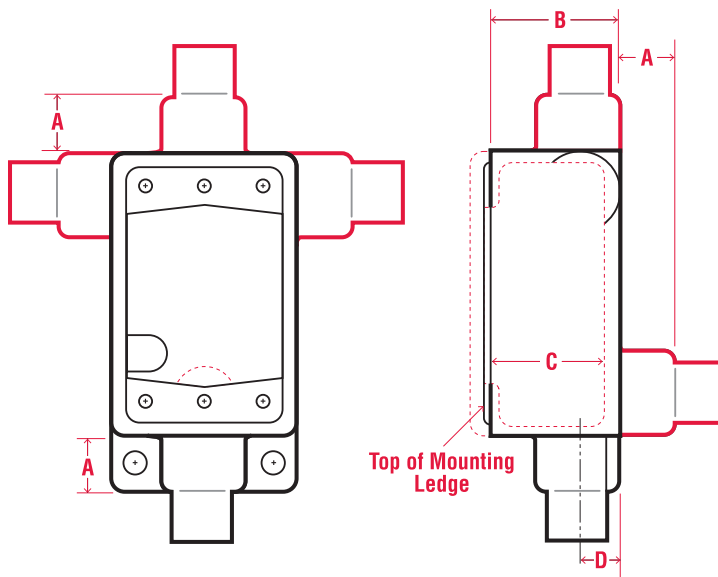
Standards:

Steel and Aluminum

- UL 514A, 514D (E231035)
- CSA C22.2 No. 18, CSA C22.2 No. 42

Cast Device Boxes – Single Gang

Single Gang FS/FD Series – Technical Data



All configurations offered in both 'FS' or 'FD' box depths. FS prefix: Shallow configuration, FD prefix: Deep configuration



FS SERIES (SHALLOW BOX) – SINGLE GANG DEAD END

| PIPE SIZE | FERROUS CATALOG # | NOMINAL WEIGHT | A | B | C | D | ALUMINUM CATALOG # |
|-----------|-------------------|----------------|------|------|------|------|--------------------|
| 1/2" | PRFS1 | 3.2 | 0.88 | 1.92 | 1.69 | 0.67 | PRFS1SA* |
| 3/4" | PRFS2 | 3.3 | 0.88 | 1.92 | 1.69 | 0.79 | PRFS2SA* |
| 1" | PRFS3 | 3.5 | 1.00 | 1.92 | 1.69 | 0.92 | PRFS3SA* |



FD SERIES (DEEP BOX) – SINGLE GANG DEAD END

| PIPE SIZE | FERROUS CATALOG # | NOMINAL WEIGHT | A | B | C | D | ALUMINUM CATALOG # |
|-----------|-------------------|----------------|------|------|------|------|--------------------|
| 1/2" | PRFD1 | 2.7 | 0.88 | 2.69 | 2.50 | 0.67 | PRFD1SA* |
| 3/4" | PRFD2 | 2.8 | 0.88 | 2.69 | 2.50 | 0.79 | PRFD2SA* |
| 1" | PRFD3 | 3.1 | 1.00 | 2.69 | 2.50 | 0.92 | PRFD3SA* |



FSC SERIES (SHALLOW BOX) – SINGLE GANG THROUGH FEED

| PIPE SIZE | FERROUS CATALOG # | NOMINAL WEIGHT | A | B | C | D | ALUMINUM CATALOG # |
|-----------|-------------------|----------------|------|------|------|------|--------------------|
| 1/2" | PRFSC1 | 2.2 | 0.88 | 1.92 | 1.69 | 0.67 | PRFSC1SA* |
| 3/4" | PRFSC2 | 2.4 | 0.88 | 1.92 | 1.69 | 0.79 | PRFSC2SA* |
| 1" | PRFSC3 | 2.7 | 1.00 | 1.92 | 1.69 | 0.92 | PRFSC3SA* |



FDC SERIES (DEEP BOX) – SINGLE GANG THROUGH FEED

| PIPE SIZE | FERROUS CATALOG # | NOMINAL WEIGHT | A | B | C | D | ALUMINUM CATALOG # |
|-----------|-------------------|----------------|------|------|------|------|--------------------|
| 1/2" | PRFDC1 | 2.7 | 0.88 | 2.69 | 2.50 | 0.67 | PRFDC1SA* |
| 3/4" | PRFDC2 | 2.8 | 0.88 | 2.69 | 2.50 | 0.79 | PRFDC2SA* |
| 1" | PRFDC3 | 3.1 | 1.00 | 2.69 | 2.50 | 0.92 | PRFDC3SA* |

* Available in copper free aluminum



Contact us:
customerservice@plastibond.com



Visit www.plastibond.com
For more information



Cast Device Boxes

Description:

Plasti-Bond device boxes and covers are available in several configurations and may be used in coated conduit systems to accommodate wiring devices, to serve as pull boxes for conductors, or to allow for splices and taps in conductors. Covers are available separately. Electrical continuity of the conduit system is maintained across assembled joints.

Features:

- 40 mil gray PVC exterior coating
- 2 mil red urethane interior coating
- 3 trade sizes from 1/2" through 1"
- Available in Standard (FS) and Deep (FD) Styles
- Internal grounding screw is standard
- Sealing sleeves on all conduit openings

Standards:

Steel and Aluminum

- UL 514A, 514D (E231035)
- CSA C22.2 No. 18, CSA C22.2 No. 42

Cast Device Boxes – Single Gang

Single Gang FS/FD Series – Technical Data



All configurations offered in both 'FS' or 'FD' box depths. FS prefix: Shallow configuration, FD prefix: Deep configuration



FS SERIES (SHALLOW BOX) – SINGLE GANG DEAD END

| PIPE SIZE | FERROUS CATALOG # | NOMINAL WEIGHT | A | B | C | D | ALUMINUM CATALOG # |
|-----------|-------------------|----------------|------|------|------|------|--------------------|
| 1/2" | PRFS1 | 3.2 | 0.88 | 1.92 | 1.69 | 0.67 | PRFS1SA* |
| 3/4" | PRFS2 | 3.3 | 0.88 | 1.92 | 1.69 | 0.79 | PRFS2SA* |
| 1" | PRFS3 | 3.5 | 1.00 | 1.92 | 1.69 | 0.92 | PRFS3SA* |



FD SERIES (DEEP BOX) – SINGLE GANG DEAD END

| PIPE SIZE | FERROUS CATALOG # | NOMINAL WEIGHT | A | B | C | D | ALUMINUM CATALOG # |
|-----------|-------------------|----------------|------|------|------|------|--------------------|
| 1/2" | PRFD1 | 2.7 | 0.88 | 2.69 | 2.50 | 0.67 | PRFD1SA* |
| 3/4" | PRFD2 | 2.8 | 0.88 | 2.69 | 2.50 | 0.79 | PRFD2SA* |
| 1" | PRFD3 | 3.1 | 1.00 | 2.69 | 2.50 | 0.92 | PRFD3SA* |



FSC SERIES (SHALLOW BOX) – SINGLE GANG THROUGH FEED

| PIPE SIZE | FERROUS CATALOG # | NOMINAL WEIGHT | A | B | C | D | ALUMINUM CATALOG # |
|-----------|-------------------|----------------|------|------|------|------|--------------------|
| 1/2" | PRFSC1 | 2.2 | 0.88 | 1.92 | 1.69 | 0.67 | PRFSC1SA* |
| 3/4" | PRFSC2 | 2.4 | 0.88 | 1.92 | 1.69 | 0.79 | PRFSC2SA* |
| 1" | PRFSC3 | 2.7 | 1.00 | 1.92 | 1.69 | 0.92 | PRFSC3SA* |



FDC SERIES (DEEP BOX) – SINGLE GANG THROUGH FEED

| PIPE SIZE | FERROUS CATALOG # | NOMINAL WEIGHT | A | B | C | D | ALUMINUM CATALOG # |
|-----------|-------------------|----------------|------|------|------|------|--------------------|
| 1/2" | PRFDC1 | 2.7 | 0.88 | 2.69 | 2.50 | 0.67 | PRFDC1SA* |
| 3/4" | PRFDC2 | 2.8 | 0.88 | 2.69 | 2.50 | 0.79 | PRFDC2SA* |
| 1" | PRFDC3 | 3.1 | 1.00 | 2.69 | 2.50 | 0.92 | PRFDC3SA* |

* Available in copper free aluminum



Contact us:
customerservice@plastibond.com



Visit www.plastibond.com
For more information