

Conduit Unions



Conduit Unions

Description:

Plasti-Bond REDH₂OT UNF unions are used to connect conduit to conduit or to allow for future changes to the conduit system. Female threads are provided at each end. Plasti-Bond REDH₂OT UNY unions are used to connect conduit to a conduit fitting, junction box, or device enclosure. One end is a male thread and the other is female.

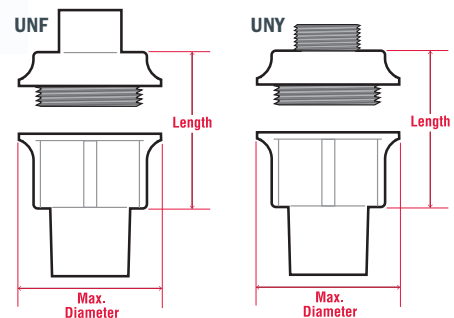
Features:

- 40 mil gray PVC exterior coating
- 2 mil red urethane interior coating
- 13 trade sizes from 1/2" through 6"
- Sealing sleeves on all conduit openings
- Molded PVC gasket seals fitting

Standards:

- UL 1203 (E476062)
- CSA C22.2 No. 30
- NEC/CEC:
 - UNF/UNY 1/2" through 1"
 - Class I, Division 1 & 2, Groups A, B, C, D
 - Class II, Division 1, Groups E, F, G
 - Class II, Division 2, Groups F, G
 - Class III
 - UNF/UNY 905, 1005
 - Class I, Division 1 & 2, Groups B, C, D
 - Class II, Division 1, Groups E, F, G
 - Class II, Division 2, Groups F, G
 - Class III
 - UNF, UNY - all sizes
 - Class I, Division 1 & 2, Groups C, D
 - Class II, Division 1, Groups E, F, G
 - Class II, Division 2, Groups F, G
 - Class III

Conduit Union Technical Data



UNF

| PIPE SIZE | FERROUS CATALOG # | NOMINAL WEIGHT | LENGTH | MAX DIA. | ALUMINUM CATALOG # |
|-------------|-------------------|----------------|--------|----------|--------------------|
| 1/2" | PRUNF105 | 0.3 | 1.81 | 2.00 | PRUNF105SA |
| 3/4" | PRUNF205 | 0.5 | 1.75 | 2.25 | PRUNF205SA |
| 3/4" - 1/2" | PRUNF215 | 0.6 | 1.75 | 2.25 | - |
| 1" | PRUNF305 | 0.7 | 2.00 | 2.75 | PRUNF305SA |
| 1-1/4" | PRUNF405 | 1.5 | 2.25 | 3.00 | PRUNF405SA |
| 1-1/2" | PRUNF505 | 2.3 | 2.63 | 3.50 | PRUNF505SA |
| 2" | PRUNF605 | 3.6 | 2.56 | 4.50 | PRUNF605SA |
| 2-1/2" | PRUNF705 | 5.0 | 3.19 | 4.75 | PRUNF705SA |
| 3" | PRUNF805 | 6.5 | 3.44 | 5.50 | PRUNF805SA |
| 3-1/2" | PRUNF905 | 8.2 | 4.13 | 6.50 | PRUNF905SA |
| 4" | PRUNF1005 | 10.0 | 4.13 | 7.00 | PRUNF1005SA |
| 5" | PRUNF012 | 12.5 | 3.81 | 9.00 | - |
| 6" | PRUNF014 | 14.8 | 3.81 | 10.25 | - |

UNY

| PIPE SIZE | FERROUS CATALOG # | NOMINAL WEIGHT | LENGTH | MAX DIA. | ALUMINUM CATALOG # |
|-------------|-------------------|----------------|--------|----------|--------------------|
| 1/2" | PRUNY105 | 0.4 | 2.38 | 2.00 | PRUNY105SA |
| 3/4" | PRUNY205 | 0.7 | 2.44 | 2.25 | PRUNY205SA |
| 3/4" - 1/2" | PRUNY215 | 0.8 | 2.44 | 2.25 | - |
| 1" | PRUNY305 | 1.3 | 2.75 | 2.75 | PRUNY305SA |
| 1-1/4" | PRUNY405 | 2.6 | 3.19 | 3.00 | PRUNY405SA |
| 1-1/2" | PRUNY505 | 3.9 | 3.56 | 3.50 | PRUNY505SA |
| 2" | PRUNY605 | 4.2 | 3.75 | 4.50 | PRUNY605SA |
| 2-1/2" | PRUNY705 | 5.5 | 4.63 | 4.75 | PRUNY705SA |
| 3" | PRUNY805 | 7.5 | 5.00 | 5.50 | PRUNY805SA |
| 3-1/2" | PRUNY905 | 8.4 | 5.50 | 6.50 | PRUNY905SA |
| 4" | PRUNY1005 | 10.5 | 5.63 | 7.00 | PRUNY1005SA |
| 5" | PRUNY012 | 12.0 | 5.25 | 9.00 | - |
| 6" | PRUNY014 | 14.9 | 5.38 | 10.25 | - |



Contact us:
customerservice@plastibond.com



Visit www.plastibond.com
For more information

Conduit Unions



Conduit Unions

Description:

Plasti-Bond REDH₂OT UNF unions are used to connect conduit to conduit or to allow for future changes to the conduit system. Female threads are provided at each end. Plasti-Bond REDH₂OT UNY unions are used to connect conduit to a conduit fitting, junction box, or device enclosure. One end is a male thread and the other is female.

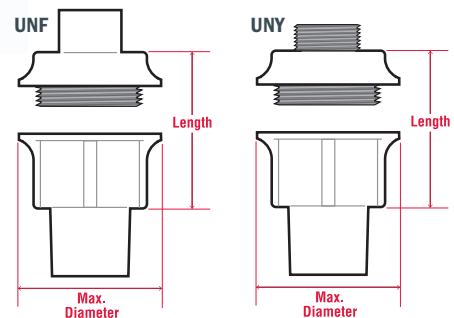
Features:

- 40 mil gray PVC exterior coating
- 2 mil red urethane interior coating
- 13 trade sizes from 1/2" through 6"
- Sealing sleeves on all conduit openings
- Molded PVC gasket seals fitting

Standards:

- UL 1203 (E476062)
- CSA C22.2 No. 30
- NEC/CEC:
 - UNF/UNY 1/2" through 1"
 - Class I, Division 1 & 2, Groups A, B, C, D
 - Class II, Division 1, Groups E, F, G
 - Class II, Division 2, Groups F, G
 - Class III
 - UNF/UNY 905, 1005
 - Class I, Division 1 & 2, Groups B, C, D
 - Class II, Division 1, Groups E, F, G
 - Class II, Division 2, Groups F, G
 - Class III
 - UNF, UNY - all sizes
 - Class I, Division 1 & 2, Groups C, D
 - Class II, Division 1, Groups E, F, G
 - Class II, Division 2, Groups F, G
 - Class III

Conduit Union Technical Data



UNF

| PIPE SIZE | FERROUS CATALOG # | NOMINAL WEIGHT | LENGTH | MAX DIA. | ALUMINUM CATALOG # |
|-------------|-------------------|----------------|--------|----------|--------------------|
| 1/2" | PRUNF105 | 0.3 | 1.81 | 2.00 | PRUNF105SA |
| 3/4" | PRUNF205 | 0.5 | 1.75 | 2.25 | PRUNF205SA |
| 3/4" - 1/2" | PRUNF215 | 0.6 | 1.75 | 2.25 | - |
| 1" | PRUNF305 | 0.7 | 2.00 | 2.75 | PRUNF305SA |
| 1-1/4" | PRUNF405 | 1.5 | 2.25 | 3.00 | PRUNF405SA |
| 1-1/2" | PRUNF505 | 2.3 | 2.63 | 3.50 | PRUNF505SA |
| 2" | PRUNF605 | 3.6 | 2.56 | 4.50 | PRUNF605SA |
| 2-1/2" | PRUNF705 | 5.0 | 3.19 | 4.75 | PRUNF705SA |
| 3" | PRUNF805 | 6.5 | 3.44 | 5.50 | PRUNF805SA |
| 3-1/2" | PRUNF905 | 8.2 | 4.13 | 6.50 | PRUNF905SA |
| 4" | PRUNF1005 | 10.0 | 4.13 | 7.00 | PRUNF1005SA |
| 5" | PRUNF012 | 12.5 | 3.81 | 9.00 | - |
| 6" | PRUNF014 | 14.8 | 3.81 | 10.25 | - |

UNY

| PIPE SIZE | FERROUS CATALOG # | NOMINAL WEIGHT | LENGTH | MAX DIA. | ALUMINUM CATALOG # |
|-------------|-------------------|----------------|--------|----------|--------------------|
| 1/2" | PRUNY105 | 0.4 | 2.38 | 2.00 | PRUNY105SA |
| 3/4" | PRUNY205 | 0.7 | 2.44 | 2.25 | PRUNY205SA |
| 3/4" - 1/2" | PRUNY215 | 0.8 | 2.44 | 2.25 | - |
| 1" | PRUNY305 | 1.3 | 2.75 | 2.75 | PRUNY305SA |
| 1-1/4" | PRUNY405 | 2.6 | 3.19 | 3.00 | PRUNY405SA |
| 1-1/2" | PRUNY505 | 3.9 | 3.56 | 3.50 | PRUNY505SA |
| 2" | PRUNY605 | 4.2 | 3.75 | 4.50 | PRUNY605SA |
| 2-1/2" | PRUNY705 | 5.5 | 4.63 | 4.75 | PRUNY705SA |
| 3" | PRUNY805 | 7.5 | 5.00 | 5.50 | PRUNY805SA |
| 3-1/2" | PRUNY905 | 8.4 | 5.50 | 6.50 | PRUNY905SA |
| 4" | PRUNY1005 | 10.5 | 5.63 | 7.00 | PRUNY1005SA |
| 5" | PRUNY012 | 12.0 | 5.25 | 9.00 | - |
| 6" | PRUNY014 | 14.9 | 5.38 | 10.25 | - |



Contact us:
customerservice@plastibond.com



Visit www.plastibond.com
For more information