

Operator Enclosures

Pushbutton Enclosures Type 12 & Type 4X - 22.5 mm & 30.5 mm Data and Illustration Sheet



PBxx Series

PVxSS Series

Application

- Designed to mount standard 30.5 mm or miniature 22.5 mm oil-tight pushbuttons, pilot lights and switches
- Protects against circulating dust, falling dirt and dripping non-corrosive liquids

Standards

- UL 508A listed, Type 12, Type 13, and Type 4X
- CSA C22.2 No.94 certified, Type 12, Type 13, and Type 4X
- Conforms to NEMA standard for Type 12, Type 13, and Type 4X

Finish

- Wash and phosphate undercoat
- ANSI 61 gray polyester powder finish
- Stainless steel enclosure cover and sides of body have a smooth brushed finish

Accessories

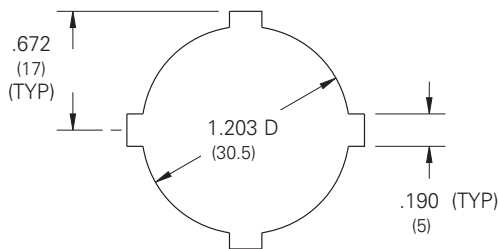
- Hole seals
- Columns and bases
- Touch-up paint
- See accessories section

Construction

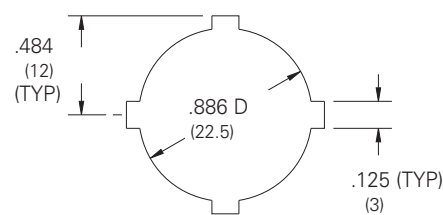
- Enclosure and cover are fabricated from (14) or (16) gauge steel, Type 304 or Type 316L stainless steel
- All continuous welded seams are finished smooth
- Cover is attached with captive screws which thread into sealed well nuts (stainless enclosures use stainless sealed well nuts)
- Cover has concealed, detachable hinges which allow for quick removal and can be hinged on either side (not offered on all sizes)
- Cover has a fixed, oil-resistant gasket
- Weldnut in body of enclosure for grounding
- Cover is pre-punched with standard 30.5 mm or miniature 22.5 mm "4-way" pushbutton holes
- External mounting feet are provided for secure wall mounting

Discount Schedule: C2

Subclass: DPO



Standard 4-Way



Miniature 4-Way

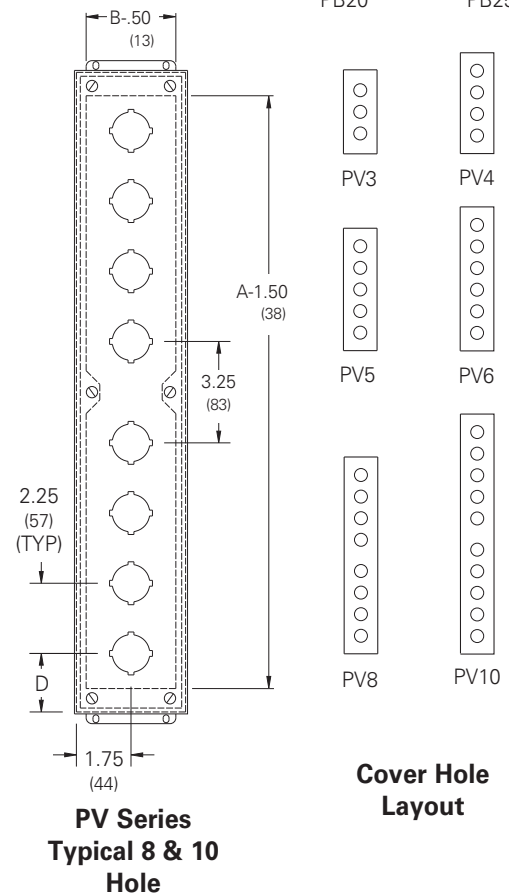
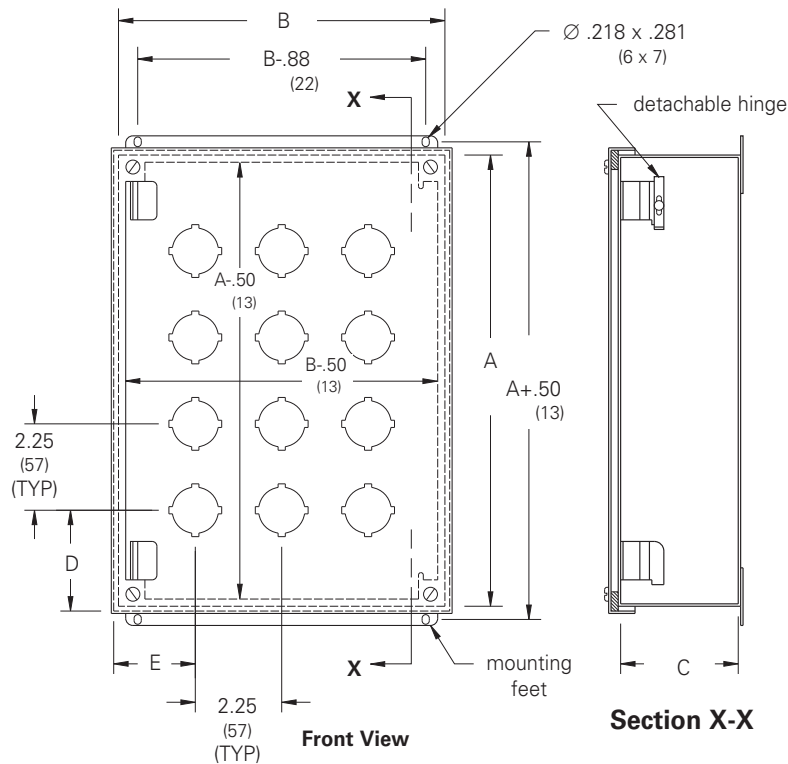
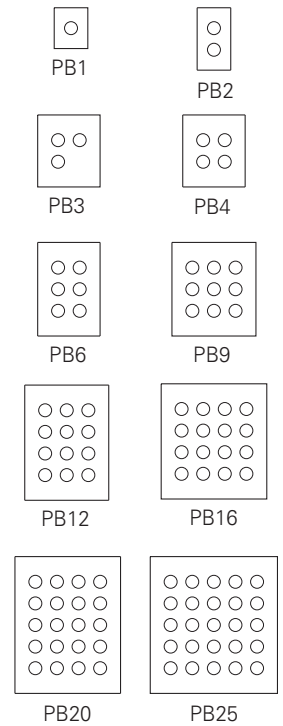
Notes: We can provide special sizes, finishes and other holes and cutouts, see page 352. Consult the factory for your special requirements.

Pushbutton Enclosures Type 12 & Type 4X - 22.5 mm & 30.5 mm Illustration Sheet and Catalog Number

Enclosure Catalog Number					Holes	Enclosure Size		D		E	
(30.5 mm Hole)			(22.5 mm Hole)			Height x Width x Depth		in. mm		in. mm	
Steel	Type 304 Stainless	Type 316L Stainless	Steel	Type 304 Stainless		A x B x C					
						in.	mm				
PB1*†	PB1SS*†	PB1SS6*†	PB1M*†	PB1MSS*†	1	4.00 x 3.25 x 3.00	102 x 83 x 76	2.12	54	1.75	44
PB2*†	PB2SS*†	PB2SS6*†	PB2M*†	PB2MSS*†	2	5.75 x 3.25 x 3.00	146 x 83 x 76	2.12	54	1.75	44
PB3	-	-	-	-	3	7.25 x 6.25 x 3.00	184 x 159 x 76	2.62	67	2.12	54
PB4	-	-	-	-	4	7.25 x 6.25 x 3.00	184 x 159 x 76	2.62	67	2.12	54
PB6	PB6SS*	PB6SS6*	-	-	6	9.50 x 6.25 x 3.00	241 x 159 x 76	2.62	67	2.12	54
PB9	PB9SS*	PB9SS6*	-	-	9	9.50 x 8.50 x 3.00	241 x 216 x 76	2.62	67	2.12	54
PB12	PB12SS*	PB12SS6*	-	-	12	11.75 x 8.50 x 3.00	298 x 216 x 76	2.62	67	2.12	54
PB16	-	-	-	-	16	11.75 x 10.75 x 3.00	298 x 273 x 76	2.62	67	2.12	54
PB20	-	-	-	-	20	14.00 x 10.75 x 3.00	356 x 273 x 76	2.62	67	2.12	54
PB25	-	-	-	-	25	14.00 x 13.00 x 3.00	356 x 330 x 76	2.62	67	2.12	54
PV3*	PV3SS*	PV3SS6*	PV3M*	PV3MSS*	3	8.00 x 3.25 x 2.75	203 x 83 x 70	2.12	54	1.75	44
PV4*	PV4SS*	PV4SS6*	PV4M*	PV4MSS*	4	10.25 x 3.25 x 2.75	260 x 83 x 70	1.87	47	1.75	44
PV5*	-	-	-	-	5	12.50 x 3.25 x 2.75	318 x 83 x 70	1.87	47	1.75	44
PV6*	-	-	-	-	6	14.75 x 3.25 x 2.75	375 x 83 x 70	1.87	47	1.75	44
PV8*	-	-	-	-	8	20.25 x 3.25 x 2.75	514 x 83 x 70	1.87	47	1.75	44
PV10*	-	-	-	-	10	24.75 x 3.25 x 2.75	629 x 83 x 70	1.87	47	1.75	44

* Enclosures are not hinged.

† PB1 and PB2 enclosures are fabricated from (16) gauge steel or stainless steel



Cover Hole Layout

Notes: Dimensions are in inches. Millimeters shown are for reference only. Data subject to change without notice.

Operator Enclosures

Pushbutton Enclosures Type 12 & Type 4X - 22.5 mm & 30.5 mm Data and Illustration Sheet



PBxx Series

PVxSS Series

Application

- Designed to mount standard 30.5 mm or miniature 22.5 mm oil-tight pushbuttons, pilot lights and switches
- Protects against circulating dust, falling dirt and dripping non-corrosive liquids

Standards

- UL 508A listed, Type 12, Type 13, and Type 4X
- CSA C22.2 No.94 certified, Type 12, Type 13, and Type 4X
- Conforms to NEMA standard for Type 12, Type 13, and Type 4X

Finish

- Wash and phosphate undercoat
- ANSI 61 gray polyester powder finish
- Stainless steel enclosure cover and sides of body have a smooth brushed finish

Accessories

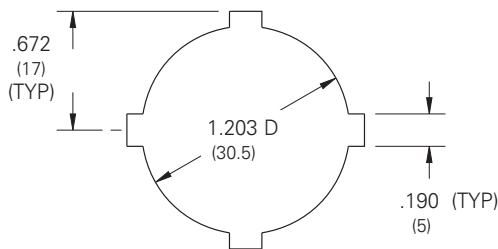
- Hole seals
- Columns and bases
- Touch-up paint
- See accessories section

Construction

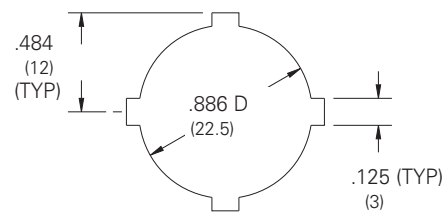
- Enclosure and cover are fabricated from (14) or (16) gauge steel, Type 304 or Type 316L stainless steel
- All continuous welded seams are finished smooth
- Cover is attached with captive screws which thread into sealed well nuts (stainless enclosures use stainless sealed well nuts)
- Cover has concealed, detachable hinges which allow for quick removal and can be hinged on either side (not offered on all sizes)
- Cover has a fixed, oil-resistant gasket
- Weldnut in body of enclosure for grounding
- Cover is pre-punched with standard 30.5 mm or miniature 22.5 mm "4-way" pushbutton holes
- External mounting feet are provided for secure wall mounting

Discount Schedule: C2

Subclass: DPO



Standard 4-Way



Miniature 4-Way

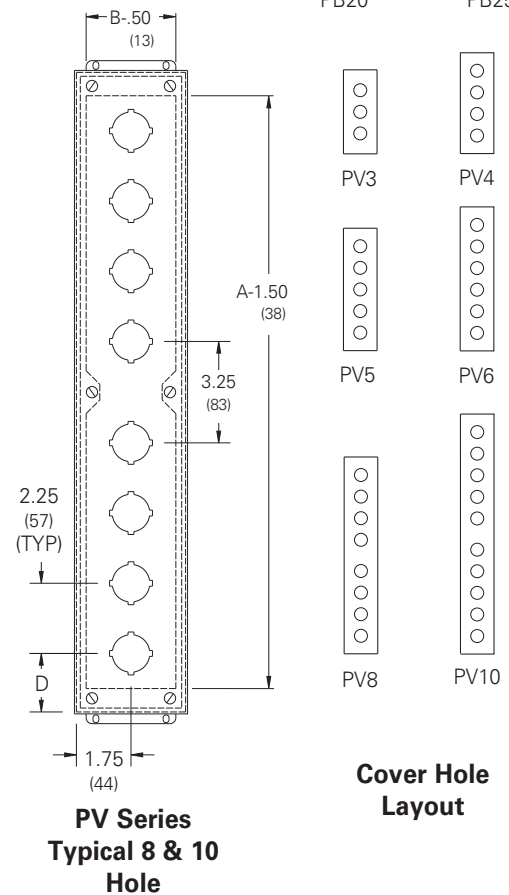
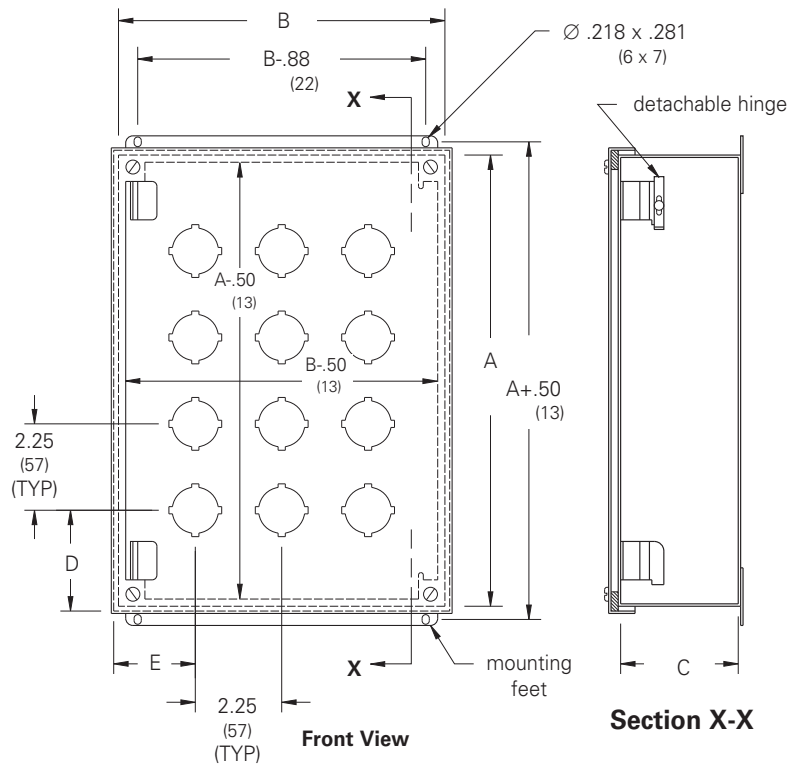
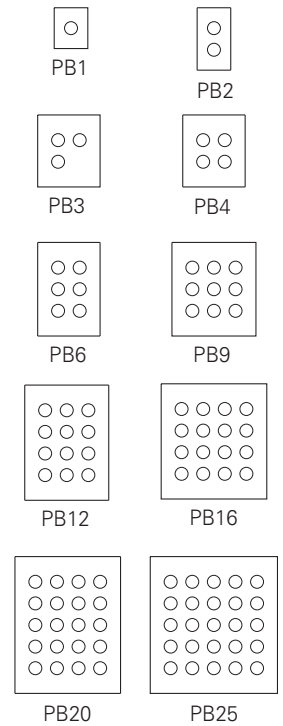
Notes: We can provide special sizes, finishes and other holes and cutouts, see page 352. Consult the factory for your special requirements.

Pushbutton Enclosures Type 12 & Type 4X - 22.5 mm & 30.5 mm Illustration Sheet and Catalog Number

Enclosure Catalog Number					Holes	Enclosure Size		D		E			
(30.5 mm Hole)			(22.5 mm Hole)			Height x Width x Depth		in. mm		in. mm			
Steel	Type 304 Stainless	Type 316L Stainless	Steel	Type 304 Stainless		A x B x C							
						in.	mm						
PB1*†	PB1SS*†	PB1SS6*†	PB1M*†	PB1MSS*†	1	4.00	3.25 x 3.00	102	83 x 76	2.12	54	1.75	44
PB2*†	PB2SS*†	PB2SS6*†	PB2M*†	PB2MSS*†	2	5.75	3.25 x 3.00	146	83 x 76	2.12	54	1.75	44
PB3	-	-	-	-	3	7.25	6.25 x 3.00	184	159 x 76	2.62	67	2.12	54
PB4	-	-	-	-	4	7.25	6.25 x 3.00	184	159 x 76	2.62	67	2.12	54
PB6	PB6SS*	PB6SS6*	-	-	6	9.50	6.25 x 3.00	241	159 x 76	2.62	67	2.12	54
PB9	PB9SS*	PB9SS6*	-	-	9	9.50	8.50 x 3.00	241	216 x 76	2.62	67	2.12	54
PB12	PB12SS*	PB12SS6*	-	-	12	11.75	8.50 x 3.00	298	216 x 76	2.62	67	2.12	54
PB16	-	-	-	-	16	11.75	10.75 x 3.00	298	273 x 76	2.62	67	2.12	54
PB20	-	-	-	-	20	14.00	10.75 x 3.00	356	273 x 76	2.62	67	2.12	54
PB25	-	-	-	-	25	14.00	13.00 x 3.00	356	330 x 76	2.62	67	2.12	54
PV3*	PV3SS*	PV3SS6*	PV3M*	PV3MSS*	3	8.00	3.25 x 2.75	203	83 x 70	2.12	54	1.75	44
PV4*	PV4SS*	PV4SS6*	PV4M*	PV4MSS*	4	10.25	3.25 x 2.75	260	83 x 70	1.87	47	1.75	44
PV5*	-	-	-	-	5	12.50	3.25 x 2.75	318	83 x 70	1.87	47	1.75	44
PV6*	-	-	-	-	6	14.75	3.25 x 2.75	375	83 x 70	1.87	47	1.75	44
PV8*	-	-	-	-	8	20.25	3.25 x 2.75	514	83 x 70	1.87	47	1.75	44
PV10*	-	-	-	-	10	24.75	3.25 x 2.75	629	83 x 70	1.87	47	1.75	44

* Enclosures are not hinged.

† PB1 and PB2 enclosures are fabricated from (16) gauge steel or stainless steel



Notes: Dimensions are in inches. Millimeters shown are for reference only. Data subject to change without notice.