

# FLAT PLATE FITTINGS

FOR 1 5/8" (41 MM) WIDTH SERIES CHANNEL

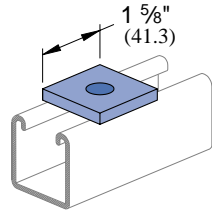


1 5/8" Channels

Nuts & Hardware

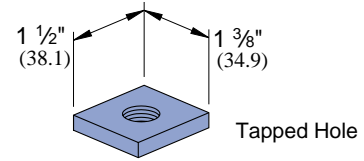
General Fittings

**P1062, P1063,  
P1064, P1964,  
P2471, P2490**



Part Number	Bolt Size	Hole Size	Weight/C	
			Lbs	kg
P1062	5/16"	1 1/32"	18	8.2
P1063	3/8"	7/16"	18	8.2
P1064	1/2"	9/16"	17	7.7
P1964	5/8"	1 1/16"	16	7.3
P2471	3/4"	1 3/16"	15	6.8
P2490	7/8"	1 5/16"	14	

**P1959  
P1960  
P1961**



Material: 3/8" (9.5) thick.

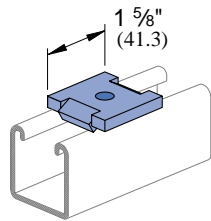
Part Number	U.S. Std. Thd Size	Weight/C	
		Lbs	kg
P1959	3/8"-16	21	9.5
P1960	1/2"-13	20	9.1
P1961	5/8"-11	19	8.6

Pipe/Conduit Supports

Electrical Fittings

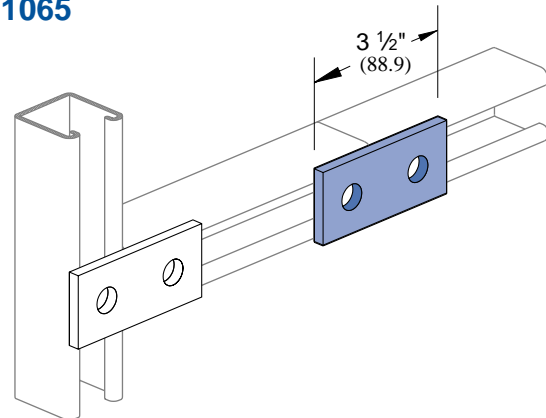
Concrete Inserts

**P2862  
P2863  
P2864**



Part Number	Bolt Size	Hole Size	Weight/C	
			Lbs	kg
P2862	5/16"	1 1/32"	18	8.2
P2863	3/8"	7/16"	18	8.2
P2864	1/2"	9/16"	17	7.7

**P1065**



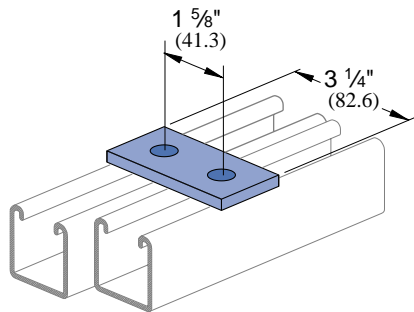
Wt/C 38 Lbs (17.2 kg)

1 1/2" Framing System

1 3/16" Framing System

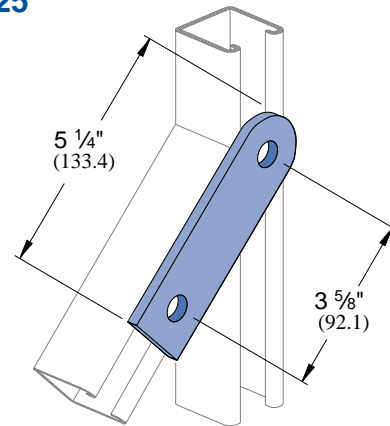
Spec. Metals & Fiberglass

**P1924**



Wt/C 35 Lbs (15.9 kg)

**P2325**



Wt/C 55 Lbs (24.9 kg)

Index

Hole Size	Hole Spacing	Width	Thickness
5/16" Diameter 14.3 mm	1 3/16" (20.6 mm) From End 1 7/8" (47.6 mm) On Center	1 5/8" 41.3 mm	1/4" 6.4 mm

# GENERAL FITTINGS

FOR 1<sup>5</sup>/<sub>8</sub>" (41 MM) WIDTH SERIES CHANNEL



1<sup>5</sup>/<sub>8</sub>"  
Channels

Nuts &  
Hardware

General  
Fittings

Pipe/Conduit  
Supports

Electrical  
Fittings

Concrete  
Inserts

1<sup>1</sup>/<sub>4</sub>" Framing  
System

1<sup>3</sup>/<sub>16</sub>" Framing  
System

Spec. Metals  
& Fiberglass

Index

Page

**Flat Plate Fittings**

82

**Ninety Degree Fittings**

86

**Angular Fittings**

93

**"Z" Shape Fittings**

94

**"U" Shape Fittings**

96

**Wing Shape Fittings**

101

**Post Bases**

105

**Brackets and Braces**

106

**Beam Clamps**

112

**Trolleys**

122

**Special Application Fittings**

124

**End Caps**

126

**Partition and Display Fittings**

127



## MATERIAL

Fittings, unless noted, are made from hot-rolled, pickled and oiled steel plates, strip or coil, and conform to ASTM specifications A575, A576, A635, or A36. The fitting steel also meets the physical requirements of ASTM A570 GR 33. The pickling of the steel produces a smooth surface free from scale.

Many fittings are also available in stainless steel, aluminum and fiberglass. Consult factory for ordering information.

## FINISHES

Fittings are available in: Perma-Green II (GR), electro-galvanized

(EG), conforming to ASTM B633 Type III SC1; Hot-dipped galvanized (HG), conforming to ASTM A123 or A153 and plain (PL).

## APPLICATION

All parts drawings illustrate only one application of each fitting. In most cases many other applications are possible. The channels shown in the illustrations are P1000, 1<sup>5</sup>/<sub>8</sub>" square, except where noted otherwise. All <sup>5</sup>/<sub>16</sub>" diameter holes use 1/2" x <sup>15</sup>/<sub>16</sub>" hex head cap screws and 1/2" nuts - P1010, P4010 or P5510 - depending on the channel used. Nuts and bolts are not included with the fitting and must be ordered separately.

## DESIGN BOLT TORQUE

BOLT SIZE	1/4"	5/16"	3/8"	1/2"	5/8"	3/4"
FOOT LBS.	20	18	16	13	11	10
N·m	6	11	19	50	100	125

## DIMENSIONS

Imperial dimensions are illustrated in inches. Metric dimensions are shown in parenthesis or as noted. Unless noted, all metric dimensions are in millimeters and rounded to one decimal place.

## DESIGN LOAD

Design load data, where shown, is based on the ultimate strength of the connection with a safety factor of 2.5, unless otherwise noted.

# FLAT PLATE FITTINGS

FOR 1 5/8" (41 MM) WIDTH SERIES CHANNEL

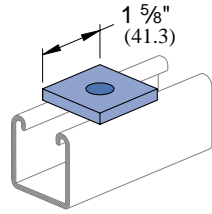


1 5/8" Channels

Nuts & Hardware

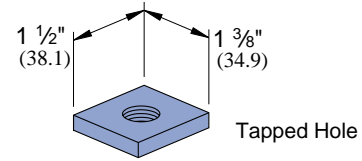
General Fittings

**P1062, P1063,  
P1064, P1964,  
P2471, P2490**



Part Number	Bolt Size	Hole Size	Weight/C	
			Lbs	kg
P1062	5/16"	1 1/32"	18	8.2
P1063	3/8"	7/16"	18	8.2
P1064	1/2"	9/16"	17	7.7
P1964	5/8"	1 1/16"	16	7.3
P2471	3/4"	1 3/16"	15	6.8
P2490	7/8"	1 5/16"	14	

**P1959  
P1960  
P1961**



Material: 3/8" (9.5) thick.

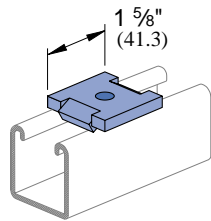
Part Number	U.S. Std. Thd Size	Weight/C	
		Lbs	kg
P1959	3/8"-16	21	9.5
P1960	1/2"-13	20	9.1
P1961	5/8"-11	19	8.6

Pipe/Conduit Supports

Electrical Fittings

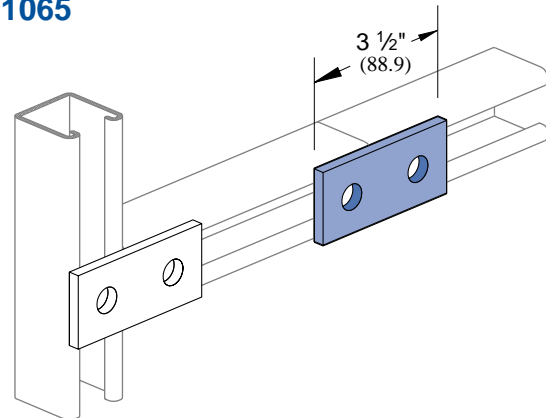
Concrete Inserts

**P2862  
P2863  
P2864**



Part Number	Bolt Size	Hole Size	Weight/C	
			Lbs	kg
P2862	5/16"	1 1/32"	18	8.2
P2863	3/8"	7/16"	18	8.2
P2864	1/2"	9/16"	17	7.7

**P1065**



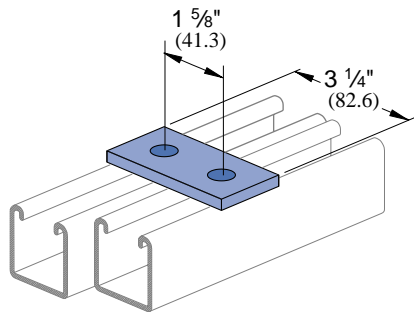
Wt/C 38 Lbs (17.2 kg)

1 1/2" Framing System

1 3/16" Framing System

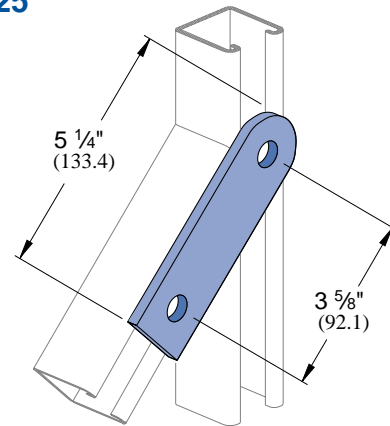
Spec. Metals & Fiberglass

**P1924**



Wt/C 35 Lbs (15.9 kg)

**P2325**



Wt/C 55 Lbs (24.9 kg)

Index

Hole Size	Hole Spacing	Width	Thickness
5/16" Diameter 14.3 mm	1 3/16" (20.6 mm) From End 1 7/8" (47.6 mm) On Center	1 5/8" 41.3 mm	1/4" 6.4 mm

# GENERAL FITTINGS

FOR 1<sup>5</sup>/<sub>8</sub>" (41 MM) WIDTH SERIES CHANNEL



1<sup>5</sup>/<sub>8</sub>"  
Channels

Nuts &  
Hardware

General  
Fittings

Pipe/Conduit  
Supports

Electrical  
Fittings

Concrete  
Inserts

1<sup>1</sup>/<sub>4</sub>" Framing  
System

1<sup>3</sup>/<sub>16</sub>" Framing  
System

Spec. Metals  
& Fiberglass

Index

Page

<b>Flat Plate Fittings</b>	<b>82</b>
<b>Ninety Degree Fittings</b>	<b>86</b>
<b>Angular Fittings</b>	<b>93</b>
<b>"Z" Shape Fittings</b>	<b>94</b>
<b>"U" Shape Fittings</b>	<b>96</b>
<b>Wing Shape Fittings</b>	<b>101</b>
<b>Post Bases</b>	<b>105</b>
<b>Brackets and Braces</b>	<b>106</b>
<b>Beam Clamps</b>	<b>112</b>
<b>Trolleys</b>	<b>122</b>
<b>Special Application Fittings</b>	<b>124</b>
<b>End Caps</b>	<b>126</b>
<b>Partition and Display Fittings</b>	<b>127</b>



## MATERIAL

Fittings, unless noted, are made from hot-rolled, pickled and oiled steel plates, strip or coil, and conform to ASTM specifications A575, A576, A635, or A36. The fitting steel also meets the physical requirements of ASTM A570 GR 33. The pickling of the steel produces a smooth surface free from scale.

Many fittings are also available in stainless steel, aluminum and fiberglass. Consult factory for ordering information.

## FINISHES

Fittings are available in: Perma-Green II (GR), electro-galvanized

(EG), conforming to ASTM B633 Type III SC1; Hot-dipped galvanized (HG), conforming to ASTM A123 or A153 and plain (PL).

## APPLICATION

All parts drawings illustrate only one application of each fitting. In most cases many other applications are possible. The channels shown in the illustrations are P1000, 1<sup>5</sup>/<sub>8</sub>" square, except where noted otherwise. All <sup>1</sup>/<sub>16</sub>" diameter holes use 1/2" x <sup>15</sup>/<sub>16</sub>" hex head cap screws and 1/2" nuts - P1010, P4010 or P5510 - depending on the channel used. Nuts and bolts are not included with the fitting and must be ordered separately.

## DESIGN BOLT TORQUE

BOLT SIZE	1/4"	5/16"	3/8"	1/2"	5/8"	3/4"
FOOT LBS.	20	18	16	13	11	10
N·m	6	11	19	50	100	125

## DIMENSIONS

Imperial dimensions are illustrated in inches. Metric dimensions are shown in parenthesis or as noted. Unless noted, all metric dimensions are in millimeters and rounded to one decimal place.

## DESIGN LOAD

Design load data, where shown, is based on the ultimate strength of the connection with a safety factor of 2.5, unless otherwise noted.