

FLAT PLATE FITTINGS

FOR 1 5/8" (41 MM) WIDTH SERIES CHANNEL

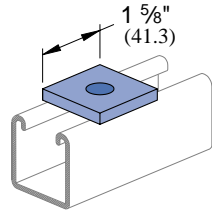


1 5/8" Channels

Nuts & Hardware

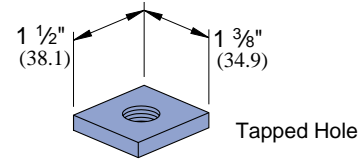
General Fittings

**P1062, P1063,
P1064, P1964,
P2471, P2490**



Part Number	Bolt Size	Hole Size	Weight/C	
			Lbs	kg
P1062	5/16"	1 1/32"	18	8.2
P1063	3/8"	7/16"	18	8.2
P1064	1/2"	9/16"	17	7.7
P1964	5/8"	1 1/16"	16	7.3
P2471	3/4"	1 3/16"	15	6.8
P2490	7/8"	1 5/16"	14	

**P1959
P1960
P1961**



Material: 3/8" (9.5) thick.

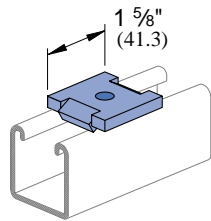
Part Number	U.S. Std. Thd Size	Weight/C	
		Lbs	kg
P1959	3/8"-16	21	9.5
P1960	1/2"-13	20	9.1
P1961	5/8"-11	19	8.6

Pipe/Conduit Supports

Electrical Fittings

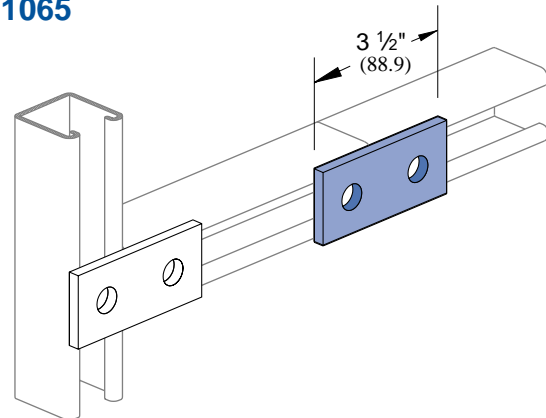
Concrete Inserts

**P2862
P2863
P2864**



Part Number	Bolt Size	Hole Size	Weight/C	
			Lbs	kg
P2862	5/16"	1 1/32"	18	8.2
P2863	3/8"	7/16"	18	8.2
P2864	1/2"	9/16"	17	7.7

P1065



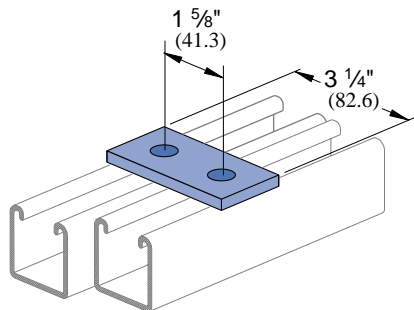
Wt/C 38 Lbs (17.2 kg)

1 1/2" Framing System

1 3/16" Framing System

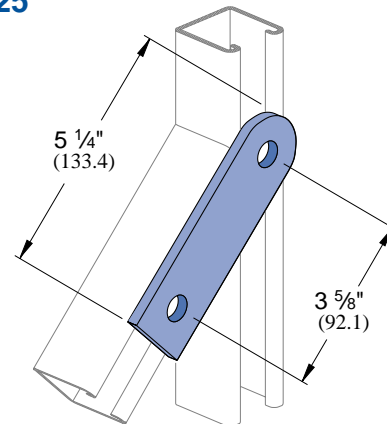
Spec. Metals & Fiberglass

P1924



Wt/C 35 Lbs (15.9 kg)

P2325



Wt/C 55 Lbs (24.9 kg)

Index

Hole Size	Hole Spacing	Width	Thickness
5/16" Diameter 14.3 mm	1 3/16" (20.6 mm) From End 1 7/8" (47.6 mm) On Center	1 5/8" 41.3 mm	1/4" 6.4 mm

GENERAL FITTINGS

FOR 1⁵/₈" (41 MM) WIDTH SERIES CHANNEL



1⁵/₈" Channels

Nuts & Hardware

General Fittings

Pipe/Conduit Supports

Electrical Fittings

Concrete Inserts

1¹/₄" Framing System

1³/₁₆" Framing System

Spec. Metals & Fiberglass

Index

Page

Flat Plate Fittings	82
Ninety Degree Fittings	86
Angular Fittings	93
"Z" Shape Fittings	94
"U" Shape Fittings	96
Wing Shape Fittings	101
Post Bases	105
Brackets and Braces	106
Beam Clamps	112
Trolleys	122
Special Application Fittings	124
End Caps	126
Partition and Display Fittings	127



MATERIAL

Fittings, unless noted, are made from hot-rolled, pickled and oiled steel plates, strip or coil, and conform to ASTM specifications A575, A576, A635, or A36. The fitting steel also meets the physical requirements of ASTM A570 GR 33. The pickling of the steel produces a smooth surface free from scale.

Many fittings are also available in stainless steel, aluminum and fiberglass. Consult factory for ordering information.

FINISHES

Fittings are available in: Perma-Green II (GR), electro-galvanized

(EG), conforming to ASTM B633 Type III SC1; Hot-dipped galvanized (HG), conforming to ASTM A123 or A153 and plain (PL).

APPLICATION

All parts drawings illustrate only one application of each fitting. In most cases many other applications are possible. The channels shown in the illustrations are P1000, 1⁵/₈" square, except where noted otherwise. All ¹/₁₆" diameter holes use 1/2" x ¹⁵/₁₆" hex head cap screws and 1/2" nuts - P1010, P4010 or P5510 - depending on the channel used. Nuts and bolts are not included with the fitting and must be ordered separately.

DESIGN BOLT TORQUE

BOLT SIZE	1/4"	5/16"	3/8"	1/2"	5/8"	3/4"
20	20	18	16	13	11	10
FOOT LBS.	6	11	19	50	100	125
N·m	8	15	25	70	135	170

DIMENSIONS

Imperial dimensions are illustrated in inches. Metric dimensions are shown in parenthesis or as noted. Unless noted, all metric dimensions are in millimeters and rounded to one decimal place.

DESIGN LOAD

Design load data, where shown, is based on the ultimate strength of the connection with a safety factor of 2.5, unless otherwise noted.

FLAT PLATE FITTINGS

FOR 1 5/8" (41 MM) WIDTH SERIES CHANNEL

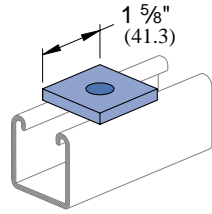


1 5/8" Channels

Nuts & Hardware

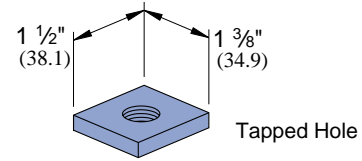
General Fittings

**P1062, P1063,
P1064, P1964,
P2471, P2490**



Part Number	Bolt Size	Hole Size	Weight/C	
			Lbs	kg
P1062	5/16"	1 1/32"	18	8.2
P1063	3/8"	7/16"	18	8.2
P1064	1/2"	9/16"	17	7.7
P1964	5/8"	1 1/16"	16	7.3
P2471	3/4"	1 3/16"	15	6.8
P2490	7/8"	1 5/16"	14	

**P1959
P1960
P1961**



Material: 3/8" (9.5) thick.

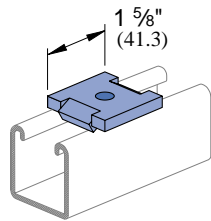
Part Number	U.S. Std. Thd Size	Weight/C	
		Lbs	kg
P1959	3/8"-16	21	9.5
P1960	1/2"-13	20	9.1
P1961	5/8"-11	19	8.6

Pipe/Conduit Supports

Electrical Fittings

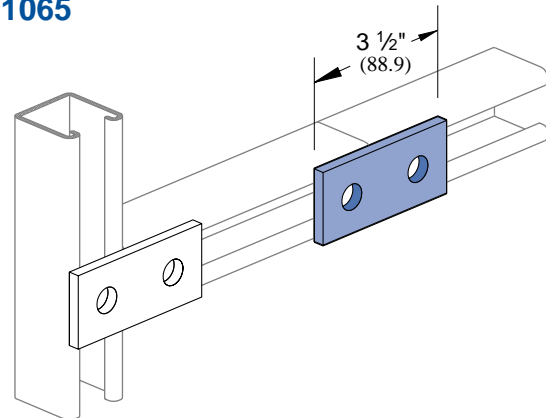
Concrete Inserts

**P2862
P2863
P2864**



Part Number	Bolt Size	Hole Size	Weight/C	
			Lbs	kg
P2862	5/16"	1 1/32"	18	8.2
P2863	3/8"	7/16"	18	8.2
P2864	1/2"	9/16"	17	7.7

P1065



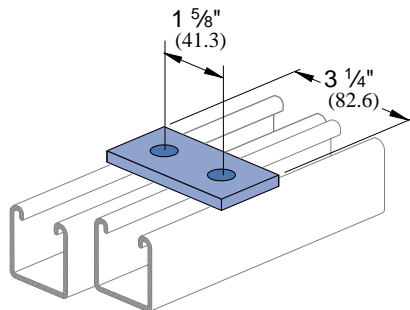
Wt/C 38 Lbs (17.2 kg)

1 1/2" Framing System

1 3/16" Framing System

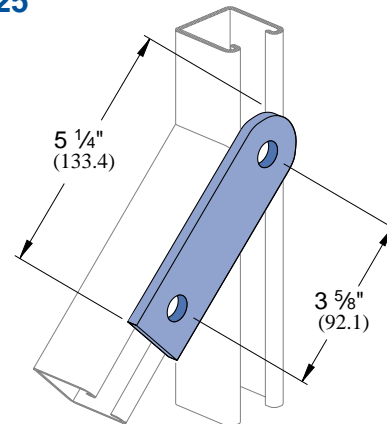
Spec. Metals & Fiberglass

P1924



Wt/C 35 Lbs (15.9 kg)

P2325



Wt/C 55 Lbs (24.9 kg)

Index

Hole Size	Hole Spacing	Width	Thickness
5/16" Diameter 14.3 mm	1 3/16" (20.6 mm) From End 1 7/8" (47.6 mm) On Center	1 5/8" 41.3 mm	1/4" 6.4 mm

GENERAL FITTINGS

FOR 1⁵/₈" (41 MM) WIDTH SERIES CHANNEL



1⁵/₈"
Channels

Nuts &
Hardware

General
Fittings

Pipe/Conduit
Supports

Electrical
Fittings

Concrete
Inserts

1¹/₄" Framing
System

1³/₁₆" Framing
System

Spec. Metals
& Fiberglass

Index

Page

Flat Plate Fittings	82
Ninety Degree Fittings	86
Angular Fittings	93
"Z" Shape Fittings	94
"U" Shape Fittings	96
Wing Shape Fittings	101
Post Bases	105
Brackets and Braces	106
Beam Clamps	112
Trolleys	122
Special Application Fittings	124
End Caps	126
Partition and Display Fittings	127



MATERIAL

Fittings, unless noted, are made from hot-rolled, pickled and oiled steel plates, strip or coil, and conform to ASTM specifications A575, A576, A635, or A36. The fitting steel also meets the physical requirements of ASTM A570 GR 33. The pickling of the steel produces a smooth surface free from scale.

Many fittings are also available in stainless steel, aluminum and fiberglass. Consult factory for ordering information.

FINISHES

Fittings are available in: Perma-Green II (GR), electro-galvanized

(EG), conforming to ASTM B633 Type III SC1; Hot-dipped galvanized (HG), conforming to ASTM A123 or A153 and plain (PL).

APPLICATION

All parts drawings illustrate only one application of each fitting. In most cases many other applications are possible. The channels shown in the illustrations are P1000, 1⁵/₈" square, except where noted otherwise. All ¹/₁₆" diameter holes use 1/2" x ¹⁵/₁₆" hex head cap screws and 1/2" nuts - P1010, P4010 or P5510 - depending on the channel used. Nuts and bolts are not included with the fitting and must be ordered separately.

DESIGN BOLT TORQUE

BOLT SIZE	1/4"	5/16"	3/8"	1/2"	5/8"	3/4"
20	20	18	16	13	11	10
FOOT LBS.	6	11	19	50	100	125
N·m	8	15	25	70	135	170

DIMENSIONS

Imperial dimensions are illustrated in inches. Metric dimensions are shown in parenthesis or as noted. Unless noted, all metric dimensions are in millimeters and rounded to one decimal place.

DESIGN LOAD

Design load data, where shown, is based on the ultimate strength of the connection with a safety factor of 2.5, unless otherwise noted.