



LOW-VOLTAGE MOUNTING PLATE FOR NEW CONSTRUCTION, 1 GANG

CATALOG NUMBER

MP1S



CERTIFICATIONS



FEATURES

Provides a bracket for mounting low voltage Class 2 communication outlets

Reduces bulges in the dry wall caused by plaster rings

May be installed to the front or the side of the metal or wood stud

Side support provides for a rigid installation

Attaches with self-tapping screws or nails

Works with wood or metal studs

PRODUCT ATTRIBUTES

Material: Steel

Finish: Pregalvanized

Gang: 1

Drywall Thickness: 1/2" - 5/8"

Height (H): 4 1/2"

Width (W): 4"

A: 2.67"

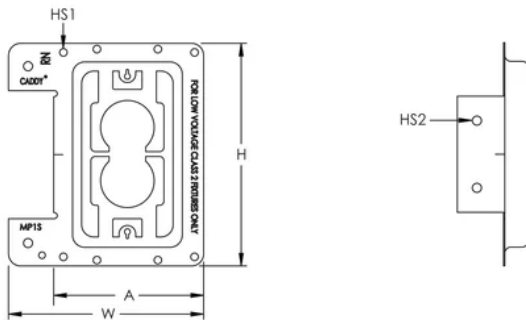
Hole Size 1 (HS1): 0.16"

Hole Size 2 (HS2): 0.19"

ADDITIONAL PRODUCT DETAILS

No load rating, for positioning only.

DIAGRAMS



WARNING

nVent products shall be installed and used only as indicated in nVent's product instruction sheets and training materials. Instruction sheets are available at www.nvent.com and from your nVent customer service representative. Improper installation, misuse, misapplication or other failure to completely follow nVent's instructions and warnings may cause product malfunction, property damage, serious bodily injury and death and/or void your warranty.

North America

+1.800.753.9221

Option 1 – Customer Care

Option 2 – Technical Support

Europe

Netherlands:

+31 800-0200135

France:

+33 800 901 793

Europe

Germany:

800 1890272

Other Countries:

+31 13 5835404

APAC

Shanghai:

+ 86 21 2412 1618/19

Sydney:

+61 2 9751 8500



Our powerful portfolio of brands:
nVent.com CADDY ERICO HOFFMAN RAYCHEM SCHROFF
TRACER



LOW-VOLTAGE MOUNTING PLATE FOR NEW CONSTRUCTION, 1 GANG

CATALOG NUMBER

MP1S



CERTIFICATIONS



FEATURES

Provides a bracket for mounting low voltage Class 2 communication outlets

Reduces bulges in the dry wall caused by plaster rings

May be installed to the front or the side of the metal or wood stud

Side support provides for a rigid installation

Attaches with self-tapping screws or nails

Works with wood or metal studs

PRODUCT ATTRIBUTES

Material: Steel

Finish: Pregalvanized

Gang: 1

Drywall Thickness: 1/2" - 5/8"

Height (H): 4 1/2"

Width (W): 4"

A: 2.67"

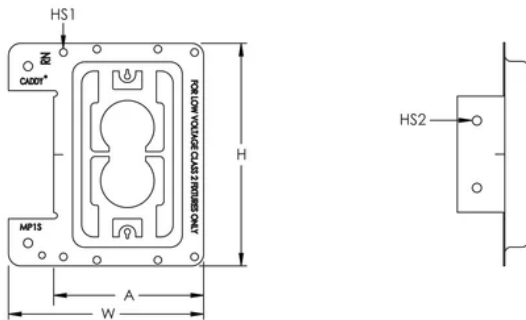
Hole Size 1 (HS1): 0.16"

Hole Size 2 (HS2): 0.19"

ADDITIONAL PRODUCT DETAILS

No load rating, for positioning only.

DIAGRAMS



WARNING

nVent products shall be installed and used only as indicated in nVent's product instruction sheets and training materials. Instruction sheets are available at www.nvent.com and from your nVent customer service representative. Improper installation, misuse, misapplication or other failure to completely follow nVent's instructions and warnings may cause product malfunction, property damage, serious bodily injury and death and/or void your warranty.

North America

+1.800.753.9221

Option 1 – Customer Care

Option 2 – Technical Support

Europe

Netherlands:

+31 800-0200135

France:

+33 800 901 793

Europe

Germany:

800 1890272

Other Countries:

+31 13 5835404

APAC

Shanghai:

+ 86 21 2412 1618/19

Sydney:

+61 2 9751 8500



Our powerful portfolio of brands:
nVent.com CADDY ERICO HOFFMAN RAYCHEM SCHROFF
TRACER