

Maestro Timer Switch

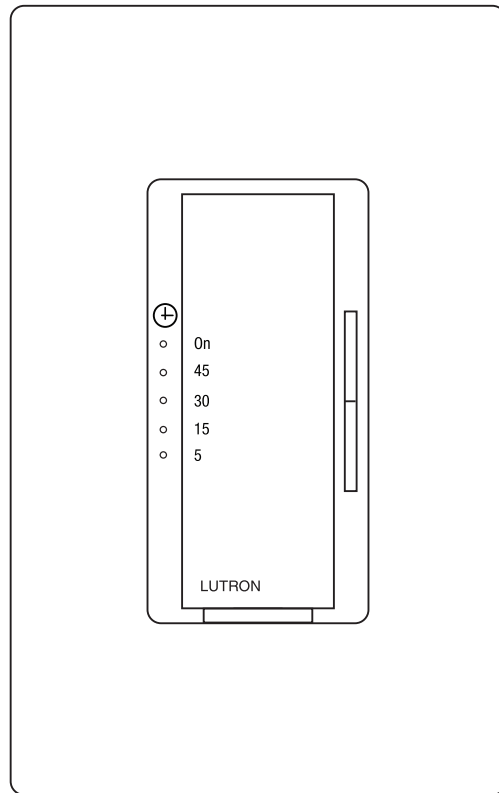
Countdown timer switch for LED bulbs and high-efficiency exhaust fans.

Features

- Tap on to start timer (5-45 minutes): tap off; double tap to keep on with no timer action.
- Touch rocker to adjust countdown time.
- One minute warning before lights/fan go off.
- Single-pole/multi-location
 - For multi-location, use one timer with Maestro companion switch(es), model MA-AS.
- Indicator lights display countdown level.
- Neutral connection required.
- UL Listed to switch:
 - LEDs
 - Exhaust fans
 - Incandescent/halogen
 - Magnetic low-voltage
 - Electronic low-voltage
 - Compact fluorescent lamps (CFLs) with integrated ballast
 - Fluorescent
- FASS - Front Accessible Service Switch for bulb replacement.
- 100% factory tested.

Model Number

MA-T51MNB-WH Single-Pole/Multi-Location
 Timer Switch in white gloss
 finish (WH)



Wallplate sold separately

Job Name:	Model Numbers:
Job Number:	

Specifications

Regulatory Approvals

- cUL 1472
- NOM

Power and Ratings

- 120 V~ 50/60 Hz
- 150 W LED/CFL
- 600 W incandescent/halogen
- 450 W MLV
- 600 W ELV
- 5 A fluorescent
- 3 A fan
- No minimum load requirement

Environment

- For indoor use only
- Operating temperatures 32 °F (0 °C) to 104 °F (40 °C)
- 0% to 95% relative humidity, non-condensing

Performance

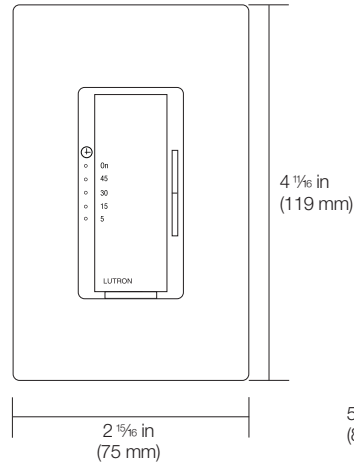
- Power failure memory: Should power be interrupted, the control will return to its previous state when power is restored.
- Tested to withstand electrostatic discharge without damage or memory loss.
- Tested to withstand surge voltages without damage or loss of operation, in accordance with IEEE C62.41-1991 recommended practice on surge voltages in low-voltage AC power circuits.
- Includes a Front Accessible Service Switch (FASS) for safe bulb replacement.
- For safety reasons, do not use the timer switch to control fixtures that are the only source of illumination for an area.

Warranty

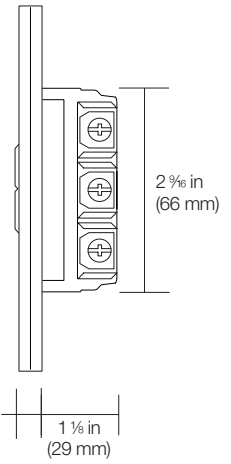
- Limited Warranty
www.lutron.com/warranty or call 1.844.LUTRON1 for a printed copy.

Dimensions

Front View



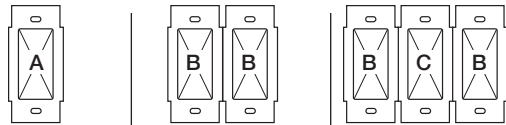
Side View



Note: Requires a U.S. wallbox 2 1/4 in (57 mm) deep minimum.

Job Name:	Model Numbers:
Job Number:	

Gangging and Derating

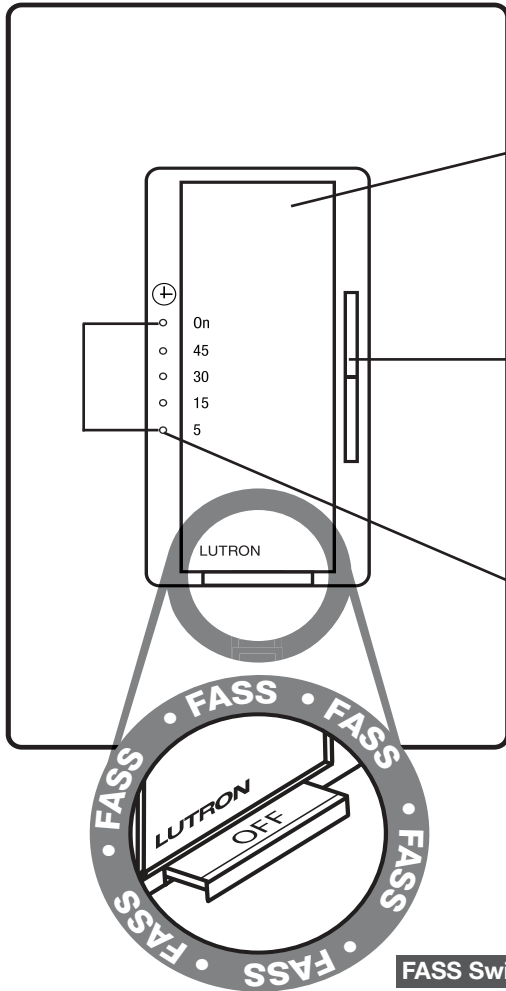


Load Type	Minimum Load	A Not Ganged	B End of Gang	C Middle of Gang	Neutral Connection
LED/CFL	N/A	1.25 A/150 W	1.25 A/150 W	1.25 A/150 W	Required ¹
Incandescent/Halogen	N/A	600 W	500 W	400 W	
Magnetic Low-Voltage	N/A	600 VA/450 W	500 VA/400 W	400 VA/300 W	
Electronic Low-Voltage	N/A	600 W	500 W	400 W	
Fluorescent	N/A	5 A	4 A	3 A	
General Purpose Fan	N/A	3 A	3 A	3 A	

¹ Neutral is required for all load types.

Job Name:	Model Numbers:
Job Number:	

Operation



Tap Button Options

- **Tap once when unit is off** - Controlled load turns ON and countdown timer begins. When time expires, the load turns off.
- **Tap once when unit is on** - Controlled load turns OFF and countdown timer resets.
- **Tap twice quickly** - Controlled load turns on without a time limit.

Timer Raise/Lower Rocker

- Press rocker to adjust timeout setting.

Timer Indicator Lights (TIL)

- White TILs indicate countdown timer duration or remaining time in minutes.
- Bottom TILs blinks rapidly to indicate 1 minute of time remaining

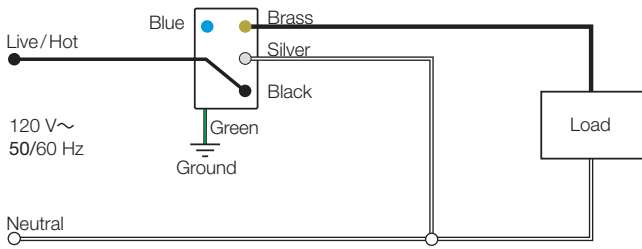
FASS Switch

(Front Accessible Service Switch)
Pull tab out for bulb replacement.

Job Name:	Model Numbers:
Job Number:	

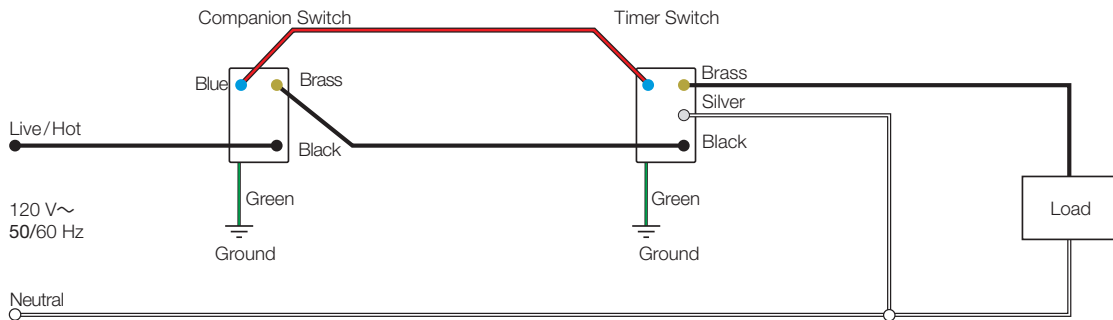
Wiring Diagrams

Single-Pole Wiring



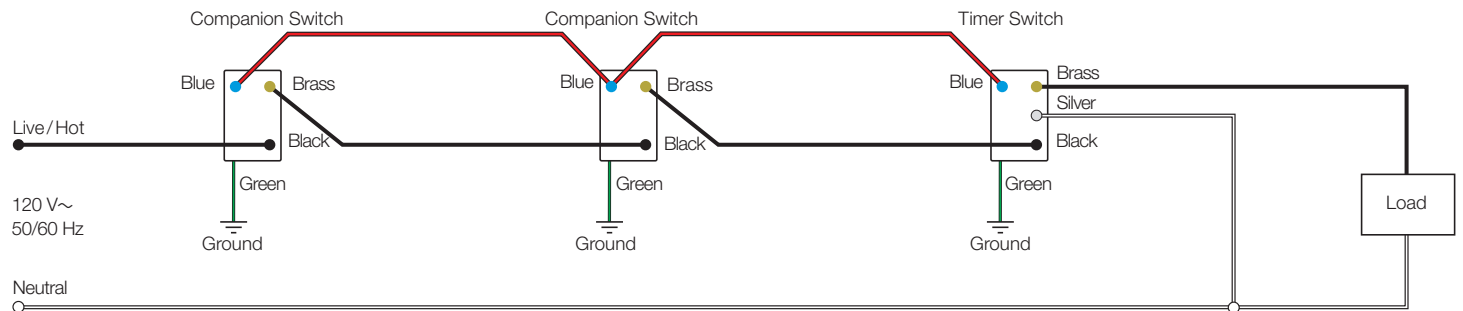
2-Location Wiring*

Timer switch must be installed on the load side of multi-location wiring.



3-Location Wiring*

Timer switch must be installed on the load side of multi-location wiring.



***Note:** The timer switch does not work with mechanical switches.

The Lutron logo, Lutron, Maestro, w are trademarks or registered trademarks of Lutron Electronics Co., Inc. in the US and/or other countries. All other product names, logos, and brands are property of their respective owners.

Job Name:	Model Numbers:
Job Number:	

Maestro Timer Switch

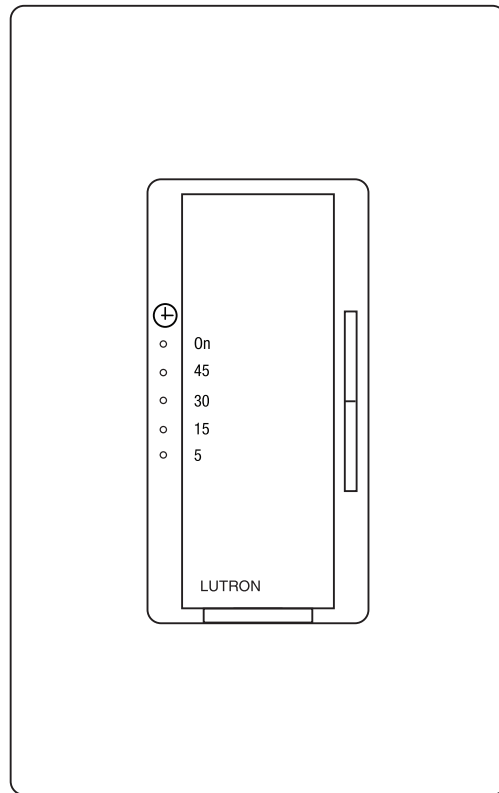
Countdown timer switch for LED bulbs and high-efficiency exhaust fans.

Features

- Tap on to start timer (5-45 minutes): tap off; double tap to keep on with no timer action.
- Touch rocker to adjust countdown time.
- One minute warning before lights/fan go off.
- Single-pole/multi-location
 - For multi-location, use one timer with Maestro companion switch(es), model MA-AS.
- Indicator lights display countdown level.
- Neutral connection required.
- UL Listed to switch:
 - LEDs
 - Exhaust fans
 - Incandescent/halogen
 - Magnetic low-voltage
 - Electronic low-voltage
 - Compact fluorescent lamps (CFLs) with integrated ballast
 - Fluorescent
- FASS - Front Accessible Service Switch for bulb replacement.
- 100% factory tested.

Model Number

MA-T51MNB-WH Single-Pole/Multi-Location
 Timer Switch in white gloss
 finish (WH)



Wallplate sold separately

Job Name:	Model Numbers:
Job Number:	

Specifications

Regulatory Approvals

- cUL 1472
- NOM

Power and Ratings

- 120 V~ 50/60 Hz
- 150 W LED/CFL
- 600 W incandescent/halogen
- 450 W MLV
- 600 W ELV
- 5 A fluorescent
- 3 A fan
- No minimum load requirement

Environment

- For indoor use only
- Operating temperatures 32 °F (0 °C) to 104 °F (40 °C)
- 0% to 95% relative humidity, non-condensing

Performance

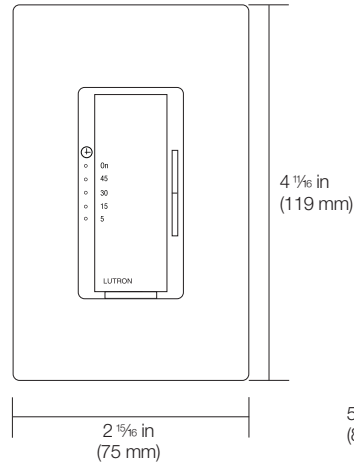
- Power failure memory: Should power be interrupted, the control will return to its previous state when power is restored.
- Tested to withstand electrostatic discharge without damage or memory loss.
- Tested to withstand surge voltages without damage or loss of operation, in accordance with IEEE C62.41-1991 recommended practice on surge voltages in low-voltage AC power circuits.
- Includes a Front Accessible Service Switch (FASS) for safe bulb replacement.
- For safety reasons, do not use the timer switch to control fixtures that are the only source of illumination for an area.

Warranty

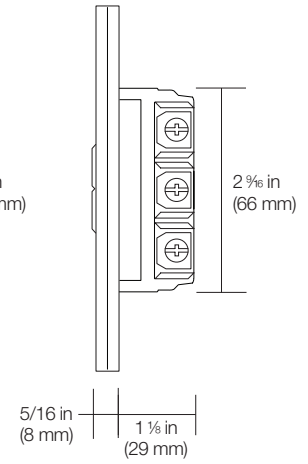
- Limited Warranty
www.lutron.com/warranty or call 1.844.LUTRON1 for a printed copy.

Dimensions

Front View



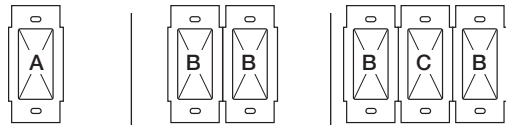
Side View



Note: Requires a U.S. wallbox 2 1/4 in (57 mm) deep minimum.

Job Name:	Model Numbers:
Job Number:	

Ganging and Derating

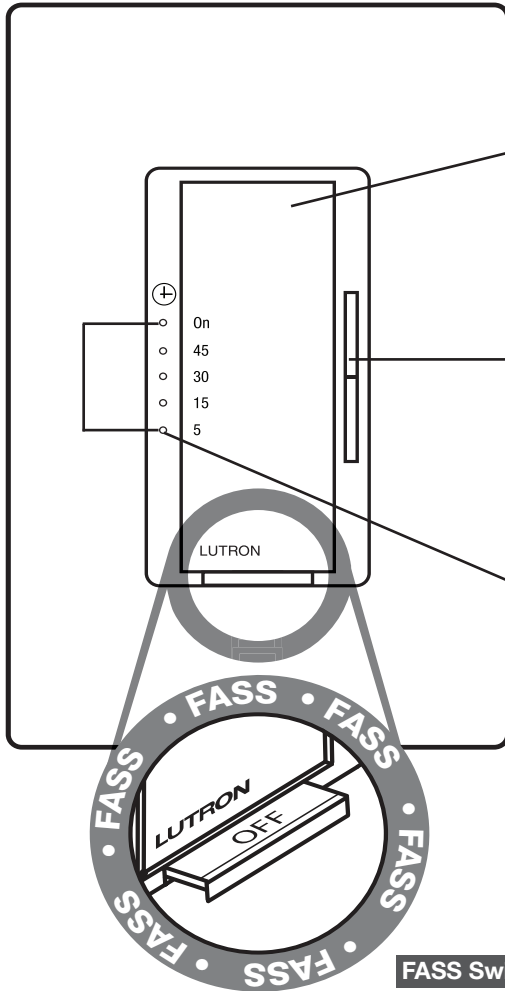


Load Type	Minimum Load	A Not Ganged	B End of Gang	C Middle of Gang	Neutral Connection
LED/CFL	N/A	1.25 A/150 W	1.25 A/150 W	1.25 A/150 W	Required ¹
Incandescent/Halogen	N/A	600 W	500 W	400 W	
Magnetic Low-Voltage	N/A	600 VA/450 W	500 VA/400 W	400 VA/300 W	
Electronic Low-Voltage	N/A	600 W	500 W	400 W	
Fluorescent	N/A	5 A	4 A	3 A	
General Purpose Fan	N/A	3 A	3 A	3 A	

¹ Neutral is required for all load types.

Job Name:	Model Numbers:
Job Number:	

Operation



Tap Button Options

- **Tap once when unit is off** - Controlled load turns ON and countdown timer begins. When time expires, the load turns off.
- **Tap once when unit is on** - Controlled load turns OFF and countdown timer resets.
- **Tap twice quickly** - Controlled load turns on without a time limit.

Timer Raise/Lower Rocker

- Press rocker to adjust timeout setting.

Timer Indicator Lights (TIL)

- White TILs indicate countdown timer duration or remaining time in minutes.
- Bottom TILs blinks rapidly to indicate 1 minute of time remaining

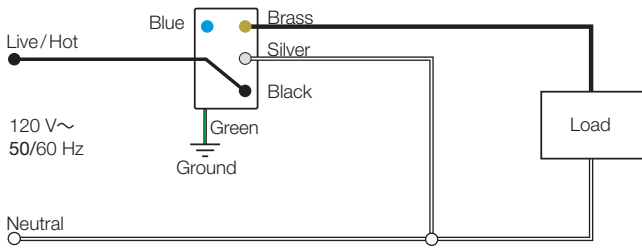
FASS Switch

(Front Accessible Service Switch)
Pull tab out for bulb replacement.

Job Name:	Model Numbers:
Job Number:	

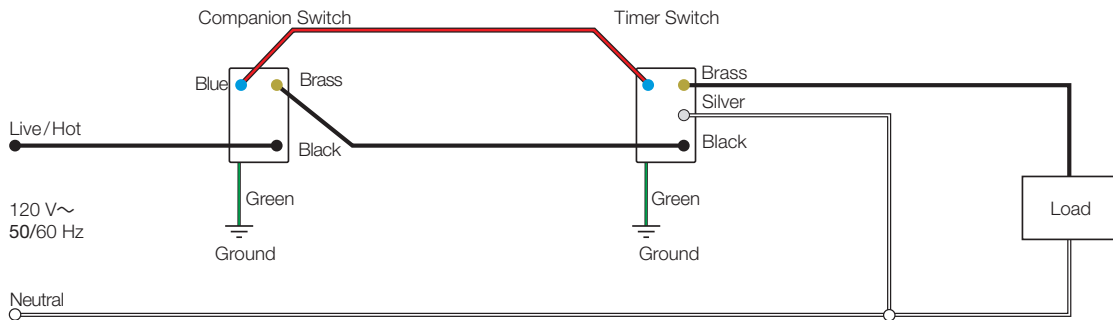
Wiring Diagrams

Single-Pole Wiring



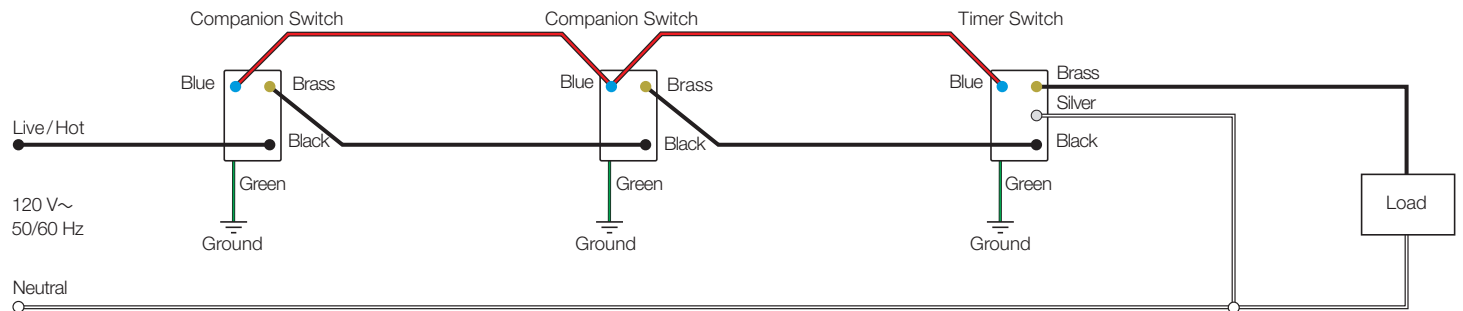
2-Location Wiring*

Timer switch must be installed on the load side of multi-location wiring.



3-Location Wiring*

Timer switch must be installed on the load side of multi-location wiring.



***Note:** The timer switch does not work with mechanical switches.

The Lutron logo, Lutron, Maestro, w are trademarks or registered trademarks of Lutron Electronics Co., Inc. in the US and/or other countries. All other product names, logos, and brands are property of their respective owners.

Job Name:	Model Numbers:
Job Number:	