

DESCRIPTION

The Halo LT560 is an LED Baffle-Trim Module for 5" and 6" aperture recessed downlights; suitable for new construction, remodel and retrofit installation. The LT560 is cULus Listed for use with Halo and All-Pro, and is UL Classified for use with other compatible 5" and 6" housings. Precision construction makes any housing AIR-TITE for added HVAC savings and code compliance.

Catalog #		Type
Project		
Comments		Date
Prepared by		

SPECIFICATION FEATURES

MECHANICAL

Module - Trim

- Module construction includes LED, heat sink, reflector, lens, baffle and trim ring

Lens

- Regressed lens
- Impact-resistant polycarbonate
- Convex form for lamp-like appearance
- Diffusing for even illumination

Mounting

- Torsion springs are pre-installed and adjust to fit 5" and 6" compatible housings

Housing Compatibility

See Housing Compatibility

LED

- Color Temperature (CCT)
Options: 2700K, 3000K, 3500K, 4000K, 5000K
- CRI: 90
- 90 CRI can be used for California Title 24 compliance/certified to Title 20

LED Chromaticity

- A tight chromaticity specification ensures LED color uniformity, sustainable Color Rendering Index (CRI) and Correlated Color Temperature (CCT) over the useful life of the LED
- LED chromaticity of 3 SDCM exceeds ENERGY STAR® color standards per ANSI C78.377- 2011
- High color performance with R9 greater than 50
- Halo LED serialized testing and measurement ensures color and lumen consistency on a per-unit basis, and validates long-term product consistency over time

ELECTRICAL

Power Connections

- LED connector is a non-screw base luminaire disconnect offering easy installation with the matching Halo 5" and 6" LED housings

- LED Connector meets California Title-24 high efficacy luminaire requirement for a non-screw base socket, and where required to qualify as a high efficacy luminaire
- The included E26 medium screw-base Edison adapter provides easy retrofit of incandescent housings (see Housing Compatibility)
- L70 at 35,000 hours.

Ground Connection

Separate grounding cable included on the module for attachment to the housing during installation

LED Driver

- 120V 50/60 Hz constant current dimmable driver provides high-efficiency operation
- If dimming is not required the fixture can be operated from a standard wall switch

Dimming

- Designed for continuous dimming capability to nominally 10% with many 120V Leading Edge (LE) and Trailing Edge (TE) Phase Control dimmers. (Dimmers with low end trim adjustment offer greater assurance of achieving 10% level.)
- Consult dimmer manufacturer for compatibility and conditions of use

Note: some dimmers require a neutral in the wallbox.

Warranty

Five-year limited warranty.

Compliance Labels

- UL/cUL Listed 1598 Luminaire (with listed housings)
- UL Classified (with other housings - see Housing Compatibility)
- UL/cUL Listed for Damp Location
- UL/cUL Listed for Wet Location covered ceiling – Shower Applications
- IP56 Ingress Protection rated

- May be installed in housings in direct contact with insulation** and combustible material

COMPLIANCE

- Airtight certified per ASTM-E283-04 (not exceeding 2.0 CFM under 75 Pascals pressure difference)
- Can be used to comply with California Title 24 High Efficacy requirements. Certified to California Title 20 Appliance Efficiency Database.*
- Can be used for International Energy Conservation Code (IECC) high efficiency luminaire compliance.
- ENERGY STAR® Certified luminaire - consult ENERGY STAR® Certified Product List*
- EMI/RFI per FCC 47CFR Part 15 Class B Consumer limits, suitable for use in residential and commercial installations
- Contains no mercury or lead and RoHS compliant.
- Photometric testing in accordance with IES LM-79
- Lumen maintenance projections in accordance with IES LM-80 and TM-21
- Can be used in closets. Compliant with NFPA 70, NEC section 410.16 (A)(1) and 410.16 (C)(3).



LT560

600 Series 5/6-Inch LED Recessed Retrofit Module-Trim

**90CRI
2700K, 3000K, 3500K,
4000K, 5000K**

**FOR USE IN
INSULATED CEILING
AND NON- INSULATED
CEILING RATED
HOUSINGS**

**HIGH-EFFICACY LED
WITH INTEGRAL
DRIVER - DIMMABLE**

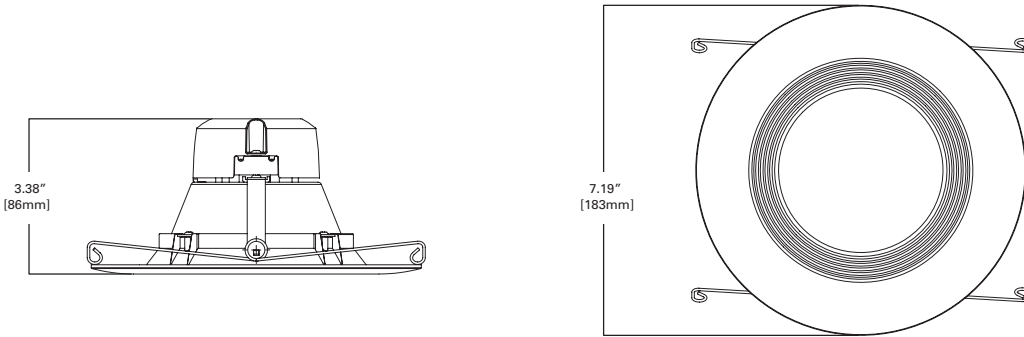
ENERGY DATA

LT56 Series (Values at non-dimming line voltage)		
Input Voltage	120 VAC	
Input Current	0.085A - 0.089A (per input power)	
Input Power	LT560WH6927	10.0 W
	LT560WH6930	10.0 W
	LT560WH6935	10.0 W
	LT560WH6940	10.4 W
	LT560WH6950	10.3 W
THD	≤ 24%	
PF	≥ 0.90	
T Ambient	-30°C to +40°C	
Sound Rating	Class A	
(all values at 25°C without a dimming control in circuit)		



Refer to ENERGY STAR® Certified Products List.
Can be used to comply with California Title 24 High Efficacy requirements.
Certified to California Title 20 Appliance Efficiency Database.

DIMENSIONS



ORDERING INFORMATION

SAMPLE NUMBER: LT560WH6930
 Complete unit includes an LT560 Baffle-Trim LED module and a 5" or 6" compatible housing ordered separately.

Models	Accessory (Order Separately)
<p>LT560WH6927= 5"/6" Retrofit Baffle - Trim LED Module, 90 CRI, 2700K, Matte White LT560WH6930= 5"/6" Retrofit Baffle - Trim LED Module, 90 CRI, 3000K, Matte White LT560WH6935= 5"/6" Retrofit Baffle - Trim LED Module, 90 CRI, 3500K, Matte White LT560WH6940= 5"/6" Retrofit Baffle - Trim LED Module, 90 CRI, 4000K, Matte White LT560WH6950= 5"/6" Retrofit Baffle - Trim LED Module, 90 CRI, 5000K, Matte White</p>	<p>HE26LED=Replacement screw base adapter (one included with unit)</p>  <p>E26 Screw base adapter for retrofit (included)</p>

HOUSING COMPATIBILITY

Compatible Halo LED Housings with LED luminaire connector (high-efficiency compliant)

HALO LED	Recessed Can Size	Catalog Number
	5"	H550ICAT, H550RICAT
6"	H750ICAT, H750RICAT, H750T, H750TCP, H2750ICAT, H2750RICAT	

Halo LED Retrofit Enclosures

HALO	6"	ML7BXRFK, ML7E26RFK
------	----	---------------------

Compatible Halo Incandescent E26 Screwbase Housings

HALO	5"	H5ICAT, H5ICATNB, H5RICAT, H5T, H5TNB, H5RT, H5TM, H25ICAT, H25ICATNB, E5ICAT, E5ICATNB, E5RICAT, E5TAT, E5TATNB, E5RTAT
	6"	H7ICAT, H7RICAT, H7ICT, H7RICT, H7ICATNB, H7ICTNB, H7T, H7RT, H7TNB, H7TCP, H7UICAT, H7UICATNB, H27ICAT, H27RICAT, H27ICT, H27RICT, H27T, H27RT, E7ICAT, E7RICAT, E7ICATNB, E27ICAT, E27RICAT, E7TAT, E7RTAT

Compatible All-Pro Incandescent E26 Screwbase Housings

ALL-PRO	5"	EI500AT, EI500RAT, ET500, ET500R
	6"	EI700AT, EI700RAT, EI700, EI700R, EI700ATNB, EI700NB, EI700U, EI700UAT, ET700, ET700R, EI2700AT, EI2700, EI2700R, ET2700, ET2700R

LT56 Series LED Retrofit is UL Classified for retrofit in the following 5/6" recessed housings:

The LT Series LED light module - trim combination is cULus Listed or UL Classified for use with any 5"/6" diameter recessed housing constructed of steel or aluminum with an internal volume that exceeds 107.9 in³ in addition to those noted above.

Product Specifications

LT560WH6927 - 90 CRI

LED lighting facts A Program of the U.S. DOE	
Light Output (Lumens)	700
Watts	10
Lumens per Watt (Efficacy)	70
Color Accuracy Color Rendering Index (CRI)	90
Light Color Correlated Color Temperature (CCT)	2700 (Warm White)
<small>All results are according to IESNA LM-79-2008. Approved Method for the Electrical and Photometric Testing of Solid-State Lighting. The U.S. Department of Energy (DOE) verifies product test data and results.</small>	
<small>Visit www.lightingfacts.com for the Label Reference Guide.</small>	
<small>Registration Number: F4QJ-BAY23A (1/12/2016) Model Number: LT560WH6927 Type: Luminaire - Downlight</small>	

LT560WH6930 - 90 CRI

LED lighting facts A Program of the U.S. DOE	
Light Output (Lumens)	683
Watts	10
Lumens per Watt (Efficacy)	68.3
Color Accuracy Color Rendering Index (CRI)	90
Light Color Correlated Color Temperature (CCT)	3000 (Bright White)
<small>All results are according to IESNA LM-79-2008. Approved Method for the Electrical and Photometric Testing of Solid-State Lighting. The U.S. Department of Energy (DOE) verifies product test data and results.</small>	
<small>Visit www.lightingfacts.com for the Label Reference Guide.</small>	
<small>Registration Number: F4QJ-XBLKSH (8/16/2016) Model Number: LT560WH6930 (Upgrade: 8/16/2016) Type: Luminaire - Downlight</small>	

LT560WH6935 - 90 CRI

LED lighting facts A Program of the U.S. DOE	
Light Output (Lumens)	697
Watts	10
Lumens per Watt (Efficacy)	69.7
Color Accuracy Color Rendering Index (CRI)	90
Light Color Correlated Color Temperature (CCT)	3500 (Bright White)
<small>All results are according to IESNA LM-79-2008. Approved Method for the Electrical and Photometric Testing of Solid-State Lighting. The U.S. Department of Energy (DOE) verifies product test data and results.</small>	
<small>Visit www.lightingfacts.com for the Label Reference Guide.</small>	
<small>Registration Number: F4QJ-6Q8R24 (8/16/2016) Model Number: LT560WH6935 (Upgrade: 8/16/2016) Type: Luminaire - Downlight</small>	

LT560WH6940 - 90 CRI

LED lighting facts A Program of the U.S. DOE	
Light Output (Lumens)	737
Watts	10.4
Lumens per Watt (Efficacy)	70.87
Color Accuracy Color Rendering Index (CRI)	90
Light Color Correlated Color Temperature (CCT)	4000 (Bright White)
<small>All results are according to IESNA LM-79-2008. Approved Method for the Electrical and Photometric Testing of Solid-State Lighting. The U.S. Department of Energy (DOE) verifies product test data and results.</small>	
<small>Visit www.lightingfacts.com for the Label Reference Guide.</small>	
<small>Registration Number: F4QJ-TTC6MG (1/2/2016) Model Number: LT560WH6940 Type: Luminaire - Downlight</small>	

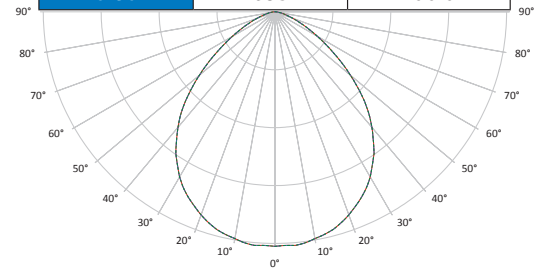
LT560WH6950 - 90 CRI

LED lighting facts A Program of the U.S. DOE	
Light Output (Lumens)	754
Watts	10.3
Lumens per Watt (Efficacy)	73.2
Color Accuracy Color Rendering Index (CRI)	90
Light Color Correlated Color Temperature (CCT)	5000 (Daylight)
<small>All results are according to IESNA LM-79-2008. Approved Method for the Electrical and Photometric Testing of Solid-State Lighting. The U.S. Department of Energy (DOE) verifies product test data and results.</small>	
<small>Visit www.lightingfacts.com for the Label Reference Guide.</small>	
<small>Registration Number: F4QJ-18BXF (8/16/2016) Model Number: LT560WH6950 (Upgrade: 8/16/2016) Type: Luminaire - Downlight</small>	

Photometric Data

LT56 Photometric*

LT560WH6930		
Luminaire lumens	698	
Input watts	10	
LER (LPW)	69.8	
Spacing Criteria	0-180	1.21
	90-270	1.21
	Diagonal	1.27
Beam angle (degrees)	93.3	
Field angle (degrees)	137.9	
Zonal lumen	Lumens	% Lumens
0-30	253	36.3
0-40	405	58.0
0-60	632	90.6
0-90	698	100.0



* Tested in accordance with IES LM63. Field results may vary.

DESCRIPTION

The Halo LT560 is an LED Baffle-Trim Module for 5" and 6" aperture recessed downlights; suitable for new construction, remodel and retrofit installation. The LT560 is cULus Listed for use with Halo and All-Pro, and is UL Classified for use with other compatible 5" and 6" housings. Precision construction makes any housing AIR-TITE for added HVAC savings and code compliance.

Catalog #		Type
Project		
Comments		Date
Prepared by		

SPECIFICATION FEATURES

MECHANICAL

Module - Trim

- Module construction includes LED, heat sink, reflector, lens, baffle and trim ring

Lens

- Regressed lens
- Impact-resistant polycarbonate
- Convex form for lamp-like appearance
- Diffusing for even illumination

Mounting

- Torsion springs are pre-installed and adjust to fit 5" and 6" compatible housings

Housing Compatibility

See Housing Compatibility

LED

- Color Temperature (CCT)
Options: 2700K, 3000K, 3500K, 4000K, 5000K
- CRI: 90
- 90 CRI can be used for California Title 24 compliance/certified to Title 20

LED Chromaticity

- A tight chromaticity specification ensures LED color uniformity, sustainable Color Rendering Index (CRI) and Correlated Color Temperature (CCT) over the useful life of the LED
- LED chromaticity of 3 SDCM exceeds ENERGY STAR® color standards per ANSI C78.377- 2011
- High color performance with R9 greater than 50
- Halo LED serialized testing and measurement ensures color and lumen consistency on a per-unit basis, and validates long-term product consistency over time

ELECTRICAL

Power Connections

- LED connector is a non-screw base luminaire disconnect offering easy installation with the matching Halo 5" and 6" LED housings

- LED Connector meets California Title-24 high efficacy luminaire requirement for a non-screw base socket, and where required to qualify as a high efficacy luminaire
- The included E26 medium screw-base Edison adapter provides easy retrofit of incandescent housings (see Housing Compatibility)
- L70 at 35,000 hours.

Ground Connection

Separate grounding cable included on the module for attachment to the housing during installation

LED Driver

- 120V 50/60 Hz constant current dimmable driver provides high-efficiency operation
- If dimming is not required the fixture can be operated from a standard wall switch

Dimming

- Designed for continuous dimming capability to nominally 10% with many 120V Leading Edge (LE) and Trailing Edge (TE) Phase Control dimmers. (Dimmers with low end trim adjustment offer greater assurance of achieving 10% level.)
- Consult dimmer manufacturer for compatibility and conditions of use

Note: some dimmers require a neutral in the wallbox.

Warranty

Five-year limited warranty.

Compliance Labels

- UL/cUL Listed 1598 Luminaire (with listed housings)
- UL Classified (with other housings - see Housing Compatibility)
- UL/cUL Listed for Damp Location
- UL/cUL Listed for Wet Location covered ceiling – Shower Applications
- IP56 Ingress Protection rated

- May be installed in housings in direct contact with insulation** and combustible material

COMPLIANCE

- Airtight certified per ASTM-E283-04 (not exceeding 2.0 CFM under 75 Pascals pressure difference)
- Can be used to comply with California Title 24 High Efficacy requirements. Certified to California Title 20 Appliance Efficiency Database.*
- Can be used for International Energy Conservation Code (IECC) high efficiency luminaire compliance.
- ENERGY STAR® Certified luminaire - consult ENERGY STAR® Certified Product List*
- EMI/RFI per FCC 47CFR Part 15 Class B Consumer limits, suitable for use in residential and commercial installations
- Contains no mercury or lead and RoHS compliant.
- Photometric testing in accordance with IES LM-79
- Lumen maintenance projections in accordance with IES LM-80 and TM-21
- Can be used in closets. Compliant with NFPA 70, NEC section 410.16 (A)(1) and 410.16 (C)(3).



LT560

600 Series 5/6-Inch LED Recessed Retrofit Module-Trim

**90CRI
2700K, 3000K, 3500K,
4000K, 5000K**

**FOR USE IN
INSULATED CEILING
AND NON- INSULATED
CEILING RATED
HOUSINGS**

**HIGH-EFFICACY LED
WITH INTEGRAL
DRIVER - DIMMABLE**

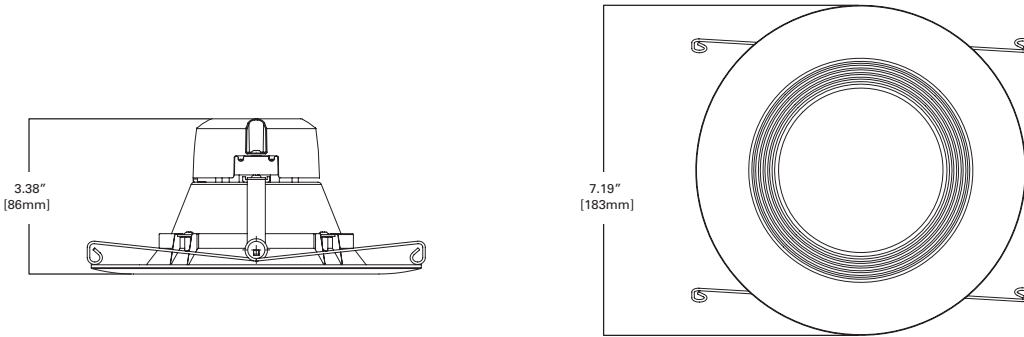
ENERGY DATA

LT56 Series (Values at non-dimming line voltage)		
Input Voltage	120 VAC	
Input Current	0.085A - 0.089A (per input power)	
Input Power	LT560WH6927	10.0 W
	LT560WH6930	10.0 W
	LT560WH6935	10.0 W
	LT560WH6940	10.4 W
	LT560WH6950	10.3 W
THD	≤ 24%	
PF	≥ 0.90	
T Ambient	-30°C to +40°C	
Sound Rating	Class A	
(all values at 25°C without a dimming control in circuit)		



Refer to ENERGY STAR® Certified Products List.
Can be used to comply with California Title 24 High Efficacy requirements.
Certified to California Title 20 Appliance Efficiency Database.

DIMENSIONS



ORDERING INFORMATION

SAMPLE NUMBER: LT560WH6930
 Complete unit includes an LT560 Baffle-Trim LED module and a 5" or 6" compatible housing ordered separately.

Models	Accessory (Order Separately)
<p>LT560WH6927= 5"/6" Retrofit Baffle - Trim LED Module, 90 CRI, 2700K, Matte White LT560WH6930= 5"/6" Retrofit Baffle - Trim LED Module, 90 CRI, 3000K, Matte White LT560WH6935= 5"/6" Retrofit Baffle - Trim LED Module, 90 CRI, 3500K, Matte White LT560WH6940= 5"/6" Retrofit Baffle - Trim LED Module, 90 CRI, 4000K, Matte White LT560WH6950= 5"/6" Retrofit Baffle - Trim LED Module, 90 CRI, 5000K, Matte White</p>	<p>HE26LED=Replacement screw base adapter (one included with unit)</p>  <p>E26 Screw base adapter for retrofit (included)</p>

HOUSING COMPATIBILITY

Compatible Halo LED Housings with LED luminaire connector (high-efficiency compliant)

HALO LED	Recessed Can Size	Catalog Number
	5"	H550ICAT, H550RICAT
6"	H750ICAT, H750RICAT, H750T, H750TCP, H2750ICAT, H2750RICAT	

Halo LED Retrofit Enclosures

HALO	6"	ML7BXRFK, ML7E26RFK
------	----	---------------------

Compatible Halo Incandescent E26 Screwbase Housings

HALO	5"	H5ICAT, H5ICATNB, H5RICAT, H5T, H5TNB, H5RT, H5TM, H25ICAT, H25ICATNB, E5ICAT, E5ICATNB, E5RICAT, E5TAT, E5TATNB, E5RTAT
	6"	H7ICAT, H7RICAT, H7ICT, H7RICT, H7ICATNB, H7ICTNB, H7T, H7RT, H7TNB, H7TCP, H7UICAT, H7UICATNB, H27ICAT, H27RICAT, H27ICT, H27RICT, H27T, H27RT, E7ICAT, E7RICAT, E7ICATNB, E27ICAT, E27RICAT, E7TAT, E7RTAT

Compatible All-Pro Incandescent E26 Screwbase Housings

ALL-PRO	5"	EI500AT, EI500RAT, ET500, ET500R
	6"	EI700AT, EI700RAT, EI700, EI700R, EI700ATNB, EI700NB, EI700U, EI700UAT, ET700, ET700R, EI2700AT, EI2700, EI2700R, ET2700, ET2700R

LT56 Series LED Retrofit is UL Classified for retrofit in the following 5/6" recessed housings:

The LT Series LED light module - trim combination is cULus Listed or UL Classified for use with any 5"/6" diameter recessed housing constructed of steel or aluminum with an internal volume that exceeds 107.9 in³ in addition to those noted above.

Product Specifications

LT560WH6927 - 90 CRI

LED lighting facts A Program of the U.S. DOE	
Light Output (Lumens)	700
Watts	10
Lumens per Watt (Efficacy)	70
Color Accuracy Color Rendering Index (CRI)	90
Light Color Correlated Color Temperature (CCT)	2700 (Warm White)
<small>All results are according to IESNA LM-79-2008. Approved Method for the Electrical and Photometric Testing of Solid-State Lighting. The U.S. Department of Energy (DOE) verifies product test data and results.</small>	
<small>Visit www.lightingfacts.com for the Label Reference Guide.</small>	
<small>Registration Number: F4QJ-BAY23A (1/12/2016) Model Number: LT560WH6927 Type: Luminaire - Downlight</small>	

LT560WH6930 - 90 CRI

LED lighting facts A Program of the U.S. DOE	
Light Output (Lumens)	683
Watts	10
Lumens per Watt (Efficacy)	68.3
Color Accuracy Color Rendering Index (CRI)	90
Light Color Correlated Color Temperature (CCT)	3000 (Bright White)
<small>All results are according to IESNA LM-79-2008. Approved Method for the Electrical and Photometric Testing of Solid-State Lighting. The U.S. Department of Energy (DOE) verifies product test data and results.</small>	
<small>Visit www.lightingfacts.com for the Label Reference Guide.</small>	
<small>Registration Number: F4QJ-XBLXSH (8/16/2016) Model Number: LT560WH6930 (Upgrade: 8/16/2016) Type: Luminaire - Downlight</small>	

LT560WH6935 - 90 CRI

LED lighting facts A Program of the U.S. DOE	
Light Output (Lumens)	697
Watts	10
Lumens per Watt (Efficacy)	69.7
Color Accuracy Color Rendering Index (CRI)	90
Light Color Correlated Color Temperature (CCT)	3500 (Bright White)
<small>All results are according to IESNA LM-79-2008. Approved Method for the Electrical and Photometric Testing of Solid-State Lighting. The U.S. Department of Energy (DOE) verifies product test data and results.</small>	
<small>Visit www.lightingfacts.com for the Label Reference Guide.</small>	
<small>Registration Number: F4QJ-6Q8R24 (8/16/2016) Model Number: LT560WH6935 (Upgrade: 8/16/2016) Type: Luminaire - Downlight</small>	

LT560WH6940 - 90 CRI

LED lighting facts A Program of the U.S. DOE	
Light Output (Lumens)	737
Watts	10.4
Lumens per Watt (Efficacy)	70.87
Color Accuracy Color Rendering Index (CRI)	90
Light Color Correlated Color Temperature (CCT)	4000 (Bright White)
<small>All results are according to IESNA LM-79-2008. Approved Method for the Electrical and Photometric Testing of Solid-State Lighting. The U.S. Department of Energy (DOE) verifies product test data and results.</small>	
<small>Visit www.lightingfacts.com for the Label Reference Guide.</small>	
<small>Registration Number: F4QJ-TTCXMG (1/2/2016) Model Number: LT560WH6940 Type: Luminaire - Downlight</small>	

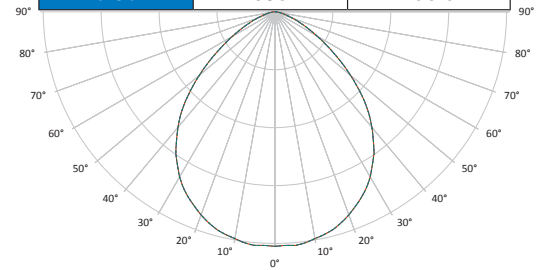
LT560WH6950 - 90 CRI

LED lighting facts A Program of the U.S. DOE	
Light Output (Lumens)	754
Watts	10.3
Lumens per Watt (Efficacy)	73.2
Color Accuracy Color Rendering Index (CRI)	90
Light Color Correlated Color Temperature (CCT)	5000 (Daylight)
<small>All results are according to IESNA LM-79-2008. Approved Method for the Electrical and Photometric Testing of Solid-State Lighting. The U.S. Department of Energy (DOE) verifies product test data and results.</small>	
<small>Visit www.lightingfacts.com for the Label Reference Guide.</small>	
<small>Registration Number: F4QJ-18BXF (8/16/2016) Model Number: LT560WH6950 (Upgrade: 8/16/2016) Type: Luminaire - Downlight</small>	

Photometric Data

LT56 Photometric*

LT560WH6930		
Luminaire lumens	698	
Input watts	10	
LER (LPW)	69.8	
Spacing Criteria	0-180	1.21
	90-270	1.21
	Diagonal	1.27
Beam angle (degrees)	93.3	
Field angle (degrees)	137.9	
Zonal lumen	Lumens	% Lumens
0-30	253	36.3
0-40	405	58.0
0-60	632	90.6
0-90	698	100.0



* Tested in accordance with IES LM63. Field results may vary.