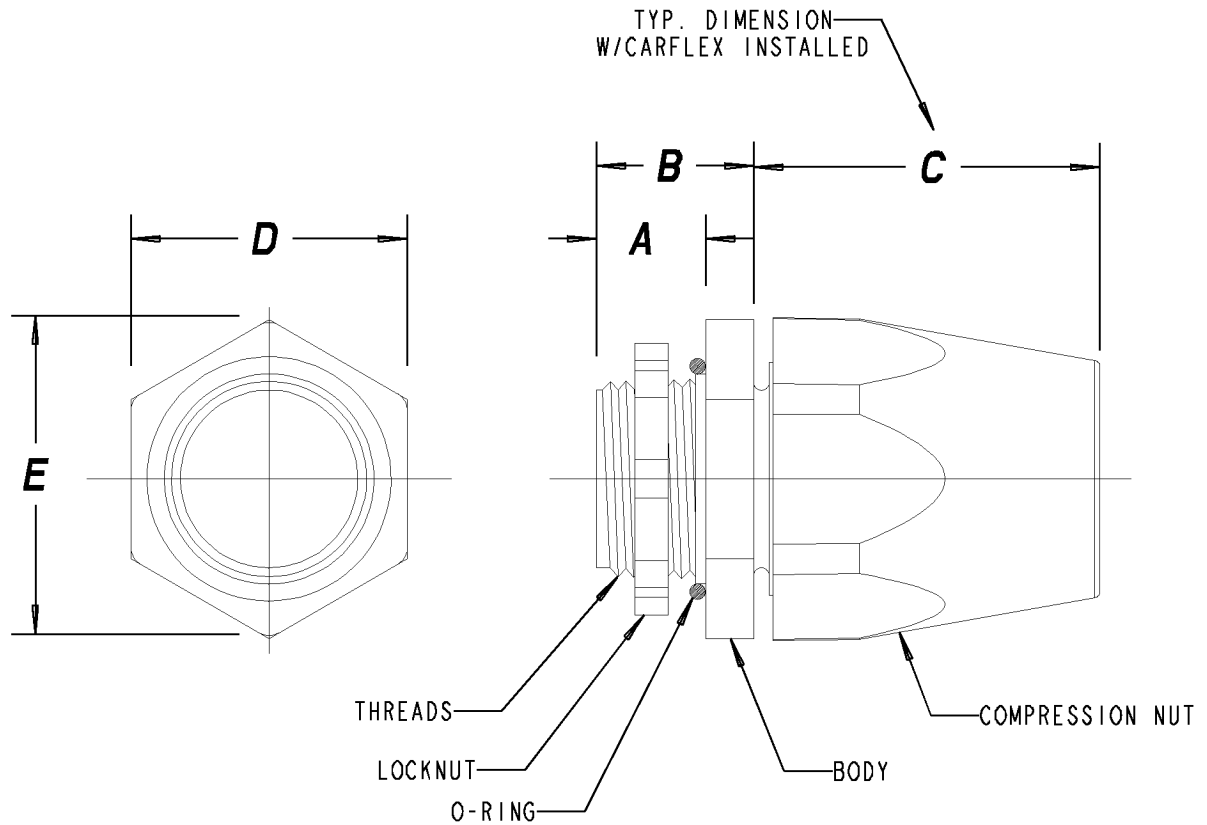


# Carlton®



SIZE US [METRIC]	ASSEMBLY P/N	A	B	C	D	E	MAXIMUM HOLE SIZE	THREADS
3/8" [14]	LT43C LT43C-CAR	.55 [14,0]	.75 [19,0]	1.60 [40,6]	1.30 [33,0]	1.40 [35,6]	.91 [23,0]	1/2-14 NPT
1/2" [16]	LT43D-NEW LT43DR LT43DU	.56 [14,3]	.91 [23,2]	1.62 [41,1]	1.30 [33,0]	1.40 [35,6]	.85 [21,6]	1/2-14 NPT
3/4" [21]	LT43E-NEW LT43ER LT43EU	.56 [14,3]	.91 [23,2]	1.88 [47,7]	1.61 [40,9]	1.71 [43,4]	1.08 [27,4]	3/4-12 NPT
1" [27]	LT43F-NEW LT43FU	.68 [17,3]	1.0 [25,4]	1.95 [49,5]	1.72 [43,7]	1.94 [59,3]	1.31 [33,3]	1-11 1/2 NPT

## GENERAL NOTES

- ALL DIMENSIONS ARE FOR REFERENCE ONLY.
- DIMENSIONS IN BRACKETS [ ] ARE IN METRIC UNITS.

## REVISIONS

\*\*\* SEE ERN (\*\*\*\*) FOR APPROVAL SIGNATURES & RELEASE DATE.  
PROJECT NO: \*\*\*\*

**Thomas & Betts**  
www.tnb.com

DESCRIPTION: **CARFLEX ASSEMBLY - STRAIGHT**

ORIGINAL PROJECT NO / ( ERN NO )

/ ( )

SHEET NO:

1 OF 1

REV. NO:

B

DRAWING NO:

WSD-AC04398