

FEATURES & SPECIFICATIONS

INTENDED USE — Ideal for applications requiring attractive, quick-installation exit signs and low energy consumption. **Certain airborne contaminants can diminish the integrity of acrylic and/or polycarbonate.** [Click here for Acrylic-Polycarbonate Compatibility table for suitable uses.](#)

CONSTRUCTION — Engineering-grade thermoplastic housing is impact-resistant, scratch-resistant, and corrosion-proof. UL94V-0 flame rating. UV-stable resin resists discoloration from natural and man-made light sources.

4 SKUs in 1: LQM: Standard with Red/Green Color Selection & AC/Battery Back-Up (EL) switch takes the guess work out of ordering. **LQM EL HO:** Standard with Nickel Cadmium battery back with remote capacity.

3 Color Finishes: Available in white housing with white faceplate, black housing with black faceplate or black housing with brushed silver faceplate providing an upgraded aesthetic.

Face Standard: LQM ships with an extra faceplate to quickly convert from single to double face exit sign depending on the application. Directional chevrons can be easily removed and reinserted depending on the application.

Quick & Clean Installation: Standard with a quick mount canopy enabling faster installation, while leaving no hardware visible from the floor.

Letters 6" high with 3/4" stroke, with 100 ft. viewing distance rating, based upon UL924 standards.

U.S. Patent No. 5,526,251; 5,611,163; 5,739,639; 5,954,423; 5,988,825; 6,152,581; D383,501; D495,751 and 6,502,044. Other patents pending.

OPTICS — LEDs operate in normal (AC input) and emergency (Battery Back-up) mode for a minimum of 90 minutes.

The typical life of the exit LED lamp is >5 years, based on 24/7 operation.

ELECTRICAL — MULTI VOLT 120-277VAC, 50/60hz.

LQM: Equipped with an AC/Battery Back-Up (EL) internal switch. This gives the installer the ability to select the AC mode when the building is using a generator or inverter to provide emergency power to the sign or simply switch to Battery mode when these systems are not present, providing 90-minutes battery capacity. **(Patent Pending).**

Sign ships standard in AC mode. Sign ships with the battery included.

LQM: 1.2V, 900mAH Ni-Cad Battery

LQM EL HO: Equipped with sealed, maintenance-free nickel-cadmium battery providing 90-minutes capacity to emergency lamps.

LQM EL HO: 3.6V, 1200mAH Ni-Cad Battery. Provides 2.4W of Remote Capacity.

INSTALLATION — Mounting canopy allows for top, back or end mounting. Back mount standard for single face only. Canopy design uses cam locking pin to secure sign to canopy with no visible hardware seen from the floor.

Ships as a single sided exit with additional face plate and red/green color panels to easily convert from single face exit to double face exit.

Directional chevrons can be easily removed and reinserted depending on the application.

LISTINGS — UL damp location listed 50°-104°F (10°-40°C) standard. Meets UL924, NFPA 101 (current Life Safety Code), NEC, California Energy Commission Title 20 section 1605.3 (W)(4) and OSHA illumination standards. Meets all applicable FCC Title 47, Part 15, Subpart B requirements.

WARRANTY — 5-year limited warranty. (Battery is prorated.) This is the only warranty provided and no other statements in this specification sheet create any warranty of any kind. All other express and implied warranties are disclaimed. Complete warranty terms located at: www.acuitybrands.com/support/warranty/terms-and-conditions

Note: Actual performance may differ as a result of end-user environment and application.

All values are design or typical values, measured under laboratory conditions at 25 °C.

Specifications subject to change without notice.

† Exit Signs Certified in the CA Title 20 Appliance Efficiency Database.

Catalog Number
Notes
Type



White



Black



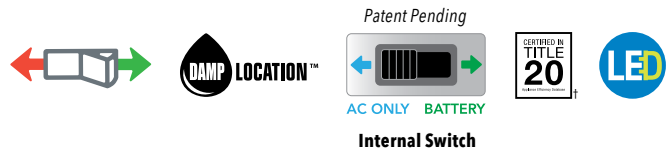
Brushed Silver



Thermoplastic Exits

LQM

LED LAMPS



Specifications

Standard	EL HO
Length: 11.61" (29.5)	Length: 12.01" (30.5)
Depth: 2.1" (5.38)	Depth: 2.45" (6.2)
Height: 7.54" (19.20)	Height: 8.23" (20.9)
Weight: 2.2 lbs (0.9 kgs)	Weight: 3.1 lbs (1.4 kgs)

All dimensions are inches (centimeters) unless otherwise specified.



Looking for Contractor Select readily available configurations? Click here to visit Contractor Select™ spec sheet or go to www.contractorselect.com

ORDERING INFORMATION

For shortest lead times, configure product using **bolded options**.

Example: LQM S W RG MVOLT EL HO M6

LQM	Family	Face type	Housing color	Letter color	Input voltage	Operation	Options
LQM	S	Stencil	B Black BBS Black with brushed silver faceplate W White	RG Red/Green Switchable	MVOLT Multi volt 120-277, 50/60hz	(blank) AC or Battery Back-Up (EL) via internal switch EL Nickel cadmium battery ¹	(blank) None HO High-output ¹

Accessories: Order as separate item.

ELA WG1	Back-mount wireguard ²	ELMRE LP220L SGL	1.2W Single Remote Head ⁴
ELA LQMUS12	12" stem kit ³	ELMRE LP220L T	2.4W Twin Remote Head ⁴
		ELMRW LP220L SGL	1.2W Single Remote Head (Wet Location Rated) ⁴
		ELMRW LP220 T	2.4W Twin Remote Head (Wet Location Rated) ⁴

Notes

- 1 EL and HO must be ordered in combination.
- 2 See spec sheet [ELA-WG](#).
- 3 See spec sheet [ELA-Stemkits](#).
- 4 See spec sheet [ELMRE](#) or [ELMRW](#).

SPECIFICATIONS

ELECTRICAL				
Primary Circuit				
Type ¹	Typical LED life ²	Supply voltage	Input watts	Max. amps
LQM Standard Red/Green AC/EL	>5 years	120	1.5	0.021
		277	1.9	0.018
LQM EL HO Red/Green	>5 years	120	3.5	0.05
		277	4.5	0.03

BATTERY				
Nickel Cadmium				
Voltage	Typical shelf life ³	Typical life ³	Maintenance ⁴	Temperature range ⁵
1.2V, 900mAh	3 years	6-8 years	none	50°F - 104°F (10°C - 40°C)
3.6V, 1200mAh (EL HO)				

Notes

- LED lamps operate in normal (AC input) and emergency (DC input) modes.
- Based on 24/7 operation. The typical life of the exit LED lamp is >5 years.
- At 77°F (25°C).
- All life safety equipment, including emergency lighting for path of egress must be maintained, serviced and tested in accordance with all National Fire Protection Association (NFPA) and local codes. Failure to perform the required maintenance, service, or testing could jeopardize the safety of occupants and will void all warranties.
- Temperature range where unit will provide capacity for 90 minutes. Higher and lower temperatures affect life and capacity.

MOUNTING

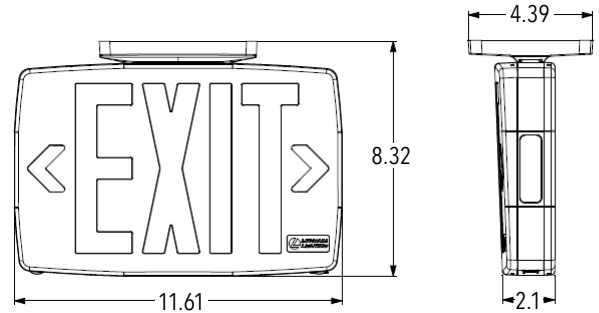
All dimensions are inches (centimeters) unless otherwise specified.

Standard

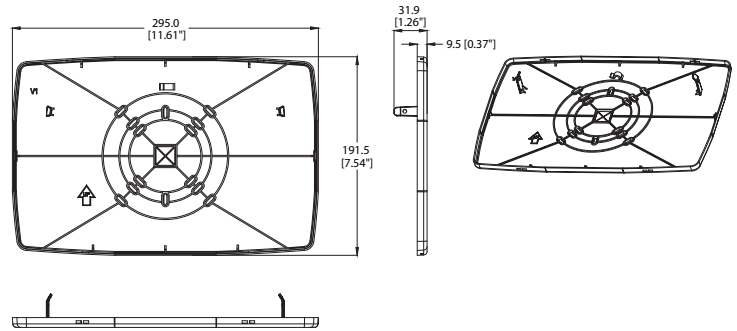
Length: 11.61" (29.5)
 Width: 2.1" (5.38)
 Height: 7.54" (19.2)
 Weight: 2.2 lbs (0.99 kgs)

EL HO

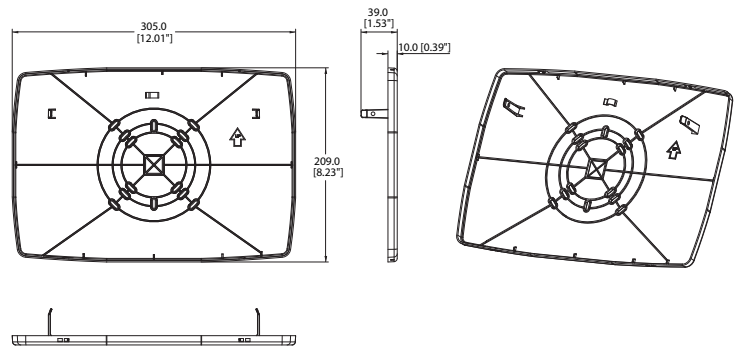
Length: 12.01" (29.5)
 Width: 2.45" (5.38)
 Height: 8.23" (19.2)
 Weight: 3.1 lbs (1.4 kgs)



Back Mounting - Standard



Back Mounting - EL HO



FEATURES & SPECIFICATIONS

INTENDED USE — Ideal for applications requiring attractive, quick-installation exit signs and low energy consumption. **Certain airborne contaminants can diminish the integrity of acrylic and/or polycarbonate.** [Click here for Acrylic-Polycarbonate Compatibility table for suitable uses.](#)

CONSTRUCTION — Engineering-grade thermoplastic housing is impact-resistant, scratch-resistant, and corrosion-proof. UL94V-0 flame rating. UV-stable resin resists discoloration from natural and man-made light sources.

4 SKUs in 1: LQM: Standard with Red/Green Color Selection & AC/Battery Back-Up (EL) switch takes the guess work out of ordering. **LQM EL HO:** Standard with Nickel Cadmium battery back with remote capacity.

3 Color Finishes: Available in white housing with white faceplate, black housing with black faceplate or black housing with brushed silver faceplate providing an upgraded aesthetic.

Face Standard: LQM ships with an extra faceplate to quickly convert from single to double face exit sign depending on the application. Directional chevrons can be easily removed and reinserted depending on the application.

Quick & Clean Installation: Standard with a quick mount canopy enabling faster installation, while leaving no hardware visible from the floor.

Letters 6" high with 3/4" stroke, with 100 ft. viewing distance rating, based upon UL924 standards.

U.S. Patent No. 5,526,251; 5,611,163; 5,739,639; 5,954,423; 5,988,825; 6,152,581; D383,501; D495,751 and 6,502,044. Other patents pending.

OPTICS — LEDs operate in normal (AC input) and emergency (Battery Back-up) mode for a minimum of 90 minutes.

The typical life of the exit LED lamp is >5 years, based on 24/7 operation.

ELECTRICAL — MULTI VOLT 120-277VAC, 50/60hz.

LQM: Equipped with an AC/Battery Back-Up (EL) internal switch. This gives the installer the ability to select the AC mode when the building is using a generator or inverter to provide emergency power to the sign or simply switch to Battery mode when these systems are not present, providing 90-minutes battery capacity. **(Patent Pending).**

Sign ships standard in AC mode. Sign ships with the battery included.

LQM: 1.2V, 900mAH Ni-Cad Battery

LQM EL HO: Equipped with sealed, maintenance-free nickel-cadmium battery providing 90-minutes capacity to emergency lamps.

LQM EL HO: 3.6V, 1200mAH Ni-Cad Battery. Provides 2.4W of Remote Capacity.

INSTALLATION — Mounting canopy allows for top, back or end mounting. Back mount standard for single face only. Canopy design uses cam locking pin to secure sign to canopy with no visible hardware seen from the floor.

Ships as a single sided exit with additional face plate and red/green color panels to easily convert from single face exit to double face exit.

Directional chevrons can be easily removed and reinserted depending on the application.

LISTINGS — UL damp location listed 50°-104°F (10°-40°C) standard. Meets UL924, NFPA 101 (current Life Safety Code), NEC, California Energy Commission Title 20 section 1605.3 (W)(4) and OSHA illumination standards. Meets all applicable FCC Title 47, Part 15, Subpart B requirements.

WARRANTY — 5-year limited warranty. (Battery is prorated.) This is the only warranty provided and no other statements in this specification sheet create any warranty of any kind. All other express and implied warranties are disclaimed. Complete warranty terms located at: www.acuitybrands.com/support/warranty/terms-and-conditions

Note: Actual performance may differ as a result of end-user environment and application.

All values are design or typical values, measured under laboratory conditions at 25 °C.

Specifications subject to change without notice.

† Exit Signs Certified in the CA Title 20 Appliance Efficiency Database.

Catalog Number
Notes
Type



White



Black



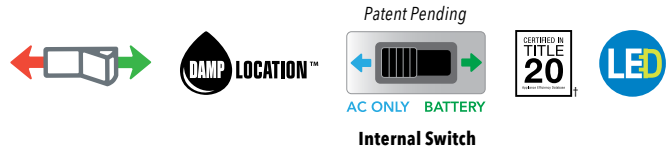
Brushed Silver



Thermoplastic Exits

LQM

LED LAMPS



Specifications

Standard	EL HO
Length: 11.61" (29.5)	Length: 12.01" (30.5)
Depth: 2.1" (5.38)	Depth: 2.45" (6.2)
Height: 7.54" (19.20)	Height: 8.23" (20.9)
Weight: 2.2 lbs (0.9 kgs)	Weight: 3.1 lbs (1.4 kgs)

All dimensions are inches (centimeters) unless otherwise specified.



Looking for Contractor Select readily available configurations? Click here to visit Contractor Select™ spec sheet or go to www.contractorselect.com

ORDERING INFORMATION

For shortest lead times, configure product using **bolded options**.

Example: LQM S W RG MVOLT EL HO M6

LQM	Family	Face type	Housing color	Letter color	Input voltage	Operation	Options
LQM	S	Stencil	B Black BBS Black with brushed silver faceplate W White	RG Red/Green Switchable	MVOLT Multi volt 120-277, 50/60hz	(blank) AC or Battery Back-Up (EL) via internal switch EL Nickel cadmium battery ¹	(blank) None HO High-output ¹

Accessories: Order as separate item.			
ELA WG1	Back-mount wireguard ²	ELMRE LP220L SGL	1.2W Single Remote Head ⁴
ELA LQMUS12	12" stem kit ³	ELMRE LP220L T	2.4W Twin Remote Head ⁴
		ELMRW LP220L SGL	1.2W Single Remote Head (Wet Location Rated) ⁴
		ELMRW LP220 T	2.4W Twin Remote Head (Wet Location Rated) ⁴

Notes

- 1 EL and HO must be ordered in combination.
- 2 See spec sheet [ELA-WG](#).
- 3 See spec sheet [ELA-Stemkits](#).
- 4 See spec sheet [ELMRE](#) or [ELMRW](#).

SPECIFICATIONS

ELECTRICAL				
Primary Circuit				
Type ¹	Typical LED life ²	Supply voltage	Input watts	Max. amps
LQM Standard Red/Green AC/EL	>5 years	120	1.5	0.021
		277	1.9	0.018
LQM EL HO Red/Green	>5 years	120	3.5	0.05
		277	4.5	0.03

BATTERY				
Nickel Cadmium				
Voltage	Typical shelf life ³	Typical life ³	Maintenance ⁴	Temperature range ⁵
1.2V, 900mAh				
3.6V, 1200mAh (EL HO)	3 years	6-8 years	none	50°F - 104°F (10°C - 40°C)

Notes

- LED lamps operate in normal (AC input) and emergency (DC input) modes.
- Based on 24/7 operation. The typical life of the exit LED lamp is >5 years.
- At 77°F (25°C).
- All life safety equipment, including emergency lighting for path of egress must be maintained, serviced and tested in accordance with all National Fire Protection Association (NFPA) and local codes. Failure to perform the required maintenance, service, or testing could jeopardize the safety of occupants and will void all warranties.
- Temperature range where unit will provide capacity for 90 minutes. Higher and lower temperatures affect life and capacity.

MOUNTING

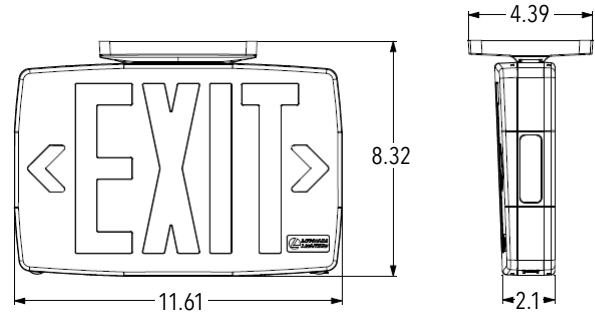
All dimensions are inches (centimeters) unless otherwise specified.

Standard

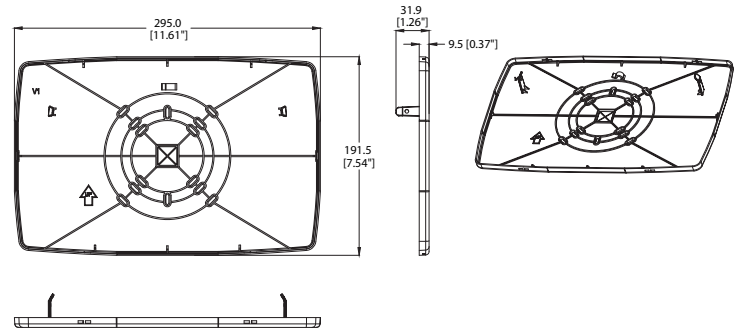
Length: 11.61" (29.5)
 Width: 2.1" (5.38)
 Height: 7.54" (19.2)
 Weight: 2.2 lbs (0.99 kgs)

EL HO

Length: 12.01" (29.5)
 Width: 2.45" (5.38)
 Height: 8.23" (19.2)
 Weight: 3.1 lbs (1.4 kgs)



Back Mounting - Standard



Back Mounting - EL HO

