

POWR-BLOKS

Distribution Blocks • Splicer Blocks • Covers



Description

POWR-BLOKS power distribution blocks offer a safe, convenient way of splicing cables, providing a fixed junction tap-off point or splitting primary power into secondary circuits. Lx2xxx-DIN series offers integral DIN-Rail mount and an optional hinged safety cover.

Optional power distribution block covers provide protection against accidental shorting between poles caused by loose wires, tools, or other conductive material. They also protect personnel from accidentally contacting energized connectors.

Applications

Typical applications include heating, air conditioning and refrigeration systems, elevator systems, material handling equipment, control panels, motor controls, switchgear, and anywhere power needs to be distributed to more than one load.

Connectors

Box lug connectors are designed for use with a single or multiple, solid or class B or C stranded conductor. For UL approved use of more than one conductor per connector opening, contact Littelfuse Technical Service. Manufacturers of cable terminations can furnish crimp-on sleeves for fine stranded conductors which permit these conductors to be used with box lugs.

Ampere Ratings

The ampere rating per pole for power distribution blocks is based on the line ampacity of 75°C insulated conductors per NEC® Table 310.16. If 60°C insulated conductors are used, load must not exceed the ampacity of 60°C conductors. Use of conductors rated in excess of 75°C is permitted (for example 90°C), however, load must not exceed the ampacity of 75°C conductors.

Specifications

| | |
|----------------------------|---|
| Voltage Rating | 600 V |
| Current Rating | Based on NEC Table 310.16, using 75°C copper wire |
| SCCR | Consult Factory |
| Material | Phenolic rated at 150°C and Thermoplastic rated at 125°C (LD1400 and LS1300 series only) |
| Connector | Aluminum: Highly conductive aluminum, tin plated Copper: Highly conductive copper, tin plated |
| Flammability Rating | UL94 V-0 |
| Approvals | UL Recognized - OLD/OLS Series (File: E171395) LFD/LFS Series (File: E309688) CSA Certified - OLD/OLS Series (File: LR700111) LFD/LFS Series (File: 007316_0_000) UL Listed - OLD57xxxx (File: E482231) |
| Environmental | RoHS compliant, Lead (Pb) free |

Ordering Information

See Selection Guide on next page

Web Resources

For dimension, CAD and 3-D drawings, visit:
Littelfuse.com/powrbloks

Hinged Plastic Covers



Clear Plastic Covers



POWR-BLOKS

Distribution Block Selection Guide

| AMP PER POLE | POLES | CONNECTOR MATERIAL | LINE CONNECTION | | | | LOAD CONNECTION | | | | FIGURE | CATALOG/ ORDERING NUMBER | *PLASTIC COVER ORDERING NUMBER | | |
|--------------|-------|--------------------|-----------------|-------------------|------------|---------------|-----------------|-----------------|-------------------|-----------|-----------|--------------------------|--------------------------------|---------------|--------------|
| | | | CONNECTOR IMAGE | OPENINGS PER POLE | LUG TYPE | WIRE RANGE | TORQUE RANGE | CONNECTOR IMAGE | OPENINGS PER POLE | LUG TYPE | | | | WIRE RANGE | TORQUE RANGE |
| 115 | 1 | AL | | 1 | Slotted | #2 - #14 | 35-50 in-lbs | | 4 | Slotted | #10 - #18 | 7 in-lbs | 10 | OLD14401Z | LPBC1441 |
| 115 | 2 | | | 1 | Slotted | #2 - #14 | 35-50 in-lbs | | 4 | Slotted | #10 - #18 | 7 in-lbs | 10 | OLD14402Z | LPBC1442 |
| 115 | 3 | | | 1 | 5/32" Hex | #2 - #14 | 50-40 in-lbs | | 4 | 5/64" Hex | #10 - #18 | 7 in-lbs | 2 | LFD14003Z | LPBC13 |
| 115 | 4 | | | 1 | Slotted | #2 - #14 | 35-50 in-lbs | | 4 | Slotted | #10 - #18 | 7 in-lbs | 10 | OLD14404Z | LPBC1444 |
| 175 | 1 | AL | | 1 | 5/16" Hex | 2/0 - #14 | 35-120 in-lbs | | 4 | Slotted | #4 - #14 | 35 in-lbs | 3 | OLD25701Z | LPBC21 |
| 175 | 2 | | | 1 | 3/16" Hex | 2/0 - #14 | 40-120 in-lbs | | 4 | 1/8" Hex | #4 - #14 | 35 in-lbs | 3 | LFD25702Z | LPBC22 |
| 175 | 3 | | | 1 | 3/16" Hex | 2/0 - #14 | 40-120 in-lbs | | 4 | 1/8" Hex | #4 - #14 | 35 in-lbs | 3 | LFD25703Z | LPBC23 |
| 175 | 1 | AL | | 1 | 3/16" Hex | 2/0 - #14 | 35-120 in-lbs | | 4 | 1/8" Hex | #4 - #14 | 35 in-lbs | 4 | OLD25701ZXDIN | OLCH1321Z |
| 175 | 2 | | | 1 | 3/16" Hex | 2/0 - #14 | 35-120 in-lbs | | 4 | 1/8" Hex | #4 - #14 | 35 in-lbs | 4 | OLD25702ZXDIN | OLCH1322Z |
| 175 | 3 | | | 1 | 3/16" Hex | 2/0 - #14 | 35-120 in-lbs | | 4 | 1/8" Hex | #4 - #14 | 35 in-lbs | 4 | OLD25703ZXDIN | OLCH1323Z |
| 175 | Adder | | | 1 | - | 2/0 - #14 | 35-120 in-lbs | | 4 | - | #4 - #14 | 35 in-lbs | 4 | OLD2570AZXDIN | - |
| 175 | 1 | CU | | 1 | 3/16" Hex | 2/0 - #14 | 35-120 in-lbs | | 4 | Slotted | #4 - #14 | 35 in-lbs | 3 | OLD29701Z | LPBC21 |
| 175 | 2 | | | 1 | 3/16" Hex | 2/0 - #14 | 35-120 in-lbs | | 4 | Slotted | #4 - #14 | 35 in-lbs | 3 | OLD29702Z | LPBC22 |
| 175 | 3 | | | 1 | 3/16" Hex | 2/0 - #14 | 35-120 in-lbs | | 4 | Slotted | #4 - #14 | 35 in-lbs | 3 | OLD29703Z | LPBC23 |
| 175 | 1 | CU | | 1 | 3/16" Hex | 2/0 - #14 | 35-120 in-lbs | | 4 | Slotted | #4 - #14 | 35 in-lbs | 4 | OLD29701ZXDIN | OLCH1321Z |
| 175 | 2 | | | 1 | 3/16" Hex | 2/0 - #14 | 35-120 in-lbs | | 4 | Slotted | #4 - #14 | 35 in-lbs | 4 | OLD29702ZXDIN | OLCH1322Z |
| 175 | 3 | | | 1 | 3/16" Hex | 2/0 - #14 | 35-120 in-lbs | | 4 | Slotted | #4 - #14 | 35 in-lbs | 4 | OLD29703ZXDIN | OLCH1323Z |
| 175 | Adder | | | 1 | - | 2/0 - #14 | 35-120 in-lbs | | 4 | - | #4 - #14 | 35 in-lbs | 4 | OLD2970AZXDIN | - |
| 175 | 2 | AL | | 1 | 5/16" Hex | 2/0 - #14 | 35-120 in-lbs | | 4 | Slotted | #4 - #14 | 35 in-lbs | 1 | OLD04022Z | LPBC02 |
| 175 | 3 | | | 1 | 5/16" Hex | 2/0 - #14 | 35-120 in-lbs | | 4 | Slotted | #4 - #14 | 35 in-lbs | 1 | OLD04023Z | LPBC03 |
| 175 | 2 | AL | | 1 | 5/16" Hex | 2/0 - #14 | 35-120 in-lbs | | 6 | Slotted | #4 - #14 | 35 in-lbs | 1 | OLD04012Z | LPBC02 |
| 175 | 3 | | | 1 | 3/16" Hex | 2/0 - #14 | 40-120 in-lbs | | 6 | 1/8" Hex | #4 - #14 | 35 in-lbs | 1 | LFD04013Z | LPBC03 |
| 175 | 1 | AL | | 1 | 5/16" Hex | 2/0 - #14 | 35-120 in-lbs | | 6 | 1/8" Hex | #4 - #14 | 35 in-lbs | 4 | OLD25801ZXDIN | OLCH1321Z |
| 175 | 2 | | | 1 | 5/16" Hex | 2/0 - #14 | 35-120 in-lbs | | 6 | 1/8" Hex | #4 - #14 | 35 in-lbs | 4 | OLD25802ZXDIN | OLCH1322Z |
| 175 | 3 | | | 1 | 5/16" Hex | 2/0 - #14 | 35-120 in-lbs | | 6 | 1/8" Hex | #4 - #14 | 35 in-lbs | 4 | OLD25803ZXDIN | OLCH1323Z |
| 175 | Adder | | | 1 | 5/16" Hex | 2/0 - #14 | 35-120 in-lbs | | 6 | 1/8" Hex | #4 - #14 | 35 in-lbs | 4 | OLD2580AZXDIN | - |
| 310 | 3 | AL | | 1 | 5/16" Hex | 350kcmil - #6 | 40-120 in-lbs | | 2 | 3/16" Hex | 2/0 - #14 | 35-120 in-lbs | 9 | OLD335543Z | OLCH1333Z |
| 310 | 2 | AL | | 1 | 5/16" Hex | 350kcmil - #6 | 275 in-lbs | | 6 | Slotted | #4 - #14 | 35 in-lbs | 1 | OLD04042Z | LPBC02 |
| 310 | 3 | | | 1 | 5/16" Hex | 350kcmil - #6 | 275 in-lbs | | 6 | Slotted | #4 - #14 | 35 in-lbs | 1 | OLD04043Z | LPBC03 |
| 335 | 1 | AL | | 1 | 5/16" Hex | 400kcmil - #6 | 275 in-lbs | | 4 | Slotted | #2 - #14 | 35-50 in-lbs | 5 | OLD35521Z | LPBC31 |
| 335 | 2 | | | 1 | 5/16" Hex | 400kcmil - #6 | 275 in-lbs | | 4 | Slotted | #2 - #14 | 35-50 in-lbs | 5 | OLD35522Z | LPBC32 |
| 380 | 3 | | | 1 | 3/8" Hex | 500kcmil - #6 | 375 in-lbs | | 4 | 5/32" Hex | #2 - #14 | 35-50 in-lbs | 5 | LFD35523Z | LPBC33 |
| 335 | 1 | AL | | 1 | 5/16" Hex | 400kcmil - #6 | 275 in-lbs | | 6 | Slotted | #2 - #14 | 35-50 in-lbs | 5 | OLD35531Z | LPBC31 |
| 335 | 2 | | | 1 | 5/16" Hex | 400kcmil - #6 | 275 in-lbs | | 6 | Slotted | #2 - #14 | 35-50 in-lbs | 5 | OLD35532Z | LPBC32 |
| 380 | 3 | | | 1 | 3/8" Hex | 500kcmil - #6 | 375 in-lbs | | 6 | 5/32" Hex | #2 - #14 | 40-50 in-lbs | 5 | LFD35533Z | LPBC33 |
| 335 | 1 | AL | | 1 | Slotted | 400kcmil - #6 | 275 in-lbs | | 8 | Slotted | #2 - #14 | 35-50 in-lbs | 6 | OLD45601Z | LPBC41 |
| 335 | 2 | | | 1 | Slotted | 400kcmil - #6 | 275 in-lbs | | 8 | Slotted | #2 - #14 | 35-50 in-lbs | 6 | OLD45602Z | LPBC42 |
| 335 | 3 | | | 1 | Slotted | 400kcmil - #6 | 275 in-lbs | | 8 | Slotted | #2 - #14 | 35-50 in-lbs | 6 | OLD45603Z | LPBC43 |
| 350 | 1 | AL | | 2 | 3/16" Hex | 2/0 - #14 | 35-120 in-lbs | | 6 | Slotted | #4 - #14 | 35 in-lbs | 5 | OLD35551Z | LPBC31 |
| 350 | 2 | | | 2 | 3w/16" Hex | 2/0 - #14 | 35-120 in-lbs | | 6 | Slotted | #4 - #14 | 35 in-lbs | 5 | OLD35552Z | LPBC32 |
| 350 | 3 | | | 2 | 3/16" Hex | 2/0 - #14 | 40-120 in-lbs | | 6 | 1/8" Hex | #4 - #14 | 35 in-lbs | 5 | LFD35553Z | LPBC33 |
| 350 | 1 | CU | | 2 | Slotted | 2/0 - #14 | 35-120 in-lbs | | 6 | 1/8" Hex | #4 - #14 | 35 in-lbs | 5 | OLD39551Z | LPBC31 |
| 350 | 2 | | | 2 | Slotted | 2/0 - #14 | 35-120 in-lbs | | 6 | 1/8" Hex | #4 - #14 | 35 in-lbs | 5 | OLD39552Z | LPBC32 |
| 350 | 3 | | | 2 | Slotted | 2/0 - #14 | 35-120 in-lbs | | 6 | 1/8" Hex | #4 - #14 | 35 in-lbs | 5 | OLD39553Z | LPBC33 |
| 380 | 1 | CU | | 1 | Slotted | 500kcmil - #6 | 375 in-lbs | | 6 | 5/32" Hex | #2 - #14 | 35-50 in-lbs | 5 | OLD39531Z | LPBC31 |
| 380 | 2 | | | 1 | Slotted | 500kcmil - #6 | 375 in-lbs | | 6 | 5/32" Hex | #2 - #14 | 35-50 in-lbs | 5 | OLD39532Z | LPBC32 |
| 380 | 3 | | | 1 | Slotted | 500kcmil - #6 | 375 in-lbs | | 6 | 5/32" Hex | #2 - #14 | 35-50 in-lbs | 5 | OLD39533Z | LPBC33 |
| 380 | 1 | AL | | 1 | Slotted | 500kcmil - #4 | 375 in-lbs | | 6 | Slotted | #2 - #14 | 35-50 in-lbs | 6 | OLD45511Z | LPBC41 |
| 380 | 2 | | | 1 | Slotted | 500kcmil - #4 | 375 in-lbs | | 6 | Slotted | #2 - #14 | 35-50 in-lbs | 6 | OLD45512Z | LPBC42 |
| 380 | 3 | | | 1 | Slotted | 500kcmil - #4 | 375 in-lbs | | 6 | Slotted | #2 - #14 | 35-50 in-lbs | 6 | OLD45513Z | LPBC43 |
| 380 | 1 | AL | | 1 | 3/8" Hex | 500kcmil - #4 | 375 in-lbs | | 6 | 5/16" Hex | 2/0 - #14 | 35-120 in-lbs | 7 | OLD55791Z | LPBC51 |
| 380 | 2 | | | 1 | 3/8" Hex | 500kcmil - #4 | 375 in-lbs | | 6 | 5/16" Hex | 2/0 - #14 | 35-120 in-lbs | 7 | OLD55792Z | LPBC52 |
| 380 | 3 | | | 1 | 3/8" Hex | 500kcmil - #4 | 375 in-lbs | | 6 | 5/16" Hex | 2/0 - #14 | 40-120 in-lbs | 7 | LFD55793Z | LPBC53 |

Note: AL = Aluminum / CU = Copper *Covers sold separately

POWR-BLOKS































Distribution Block Selection Guide

| AMP PER POLE | POLES | CONNECTOR MATERIAL | LINE CONNECTION | | | | | LOAD CONNECTION | | | | | FIGURE | CATALOG/ORDERING NUMBER | *PLASTIC COVER ORDERING NUMBER | | |
|--------------|-------|--------------------|-----------------|-------------------|-----------|----------------|---------------|-----------------|-------------------|-----------|---------------|---------------|----------|-------------------------|--------------------------------|-----------|-----------|
| | | | CONNECTOR IMAGE | OPENINGS PER POLE | LUG TYPE | WIRE RANGE | TORQUE RANGE | CONNECTOR IMAGE | OPENINGS PER POLE | LUG TYPE | WIRE RANGE | TORQUE RANGE | | | | | |
| 380 | 1 | AL | | 1 | 3/8" Hex | 500kcmil- #4 | 375 in-lbs | | 8 | 5/32" Hex | #2 - #14 | 35-50 in-lbs | 7 | OLD55941Z | LPBC51 | | |
| 380 | 2 | | | 1 | 3/8" Hex | 500kcmil- #4 | 375 in-lbs | | 8 | 5/32" Hex | #2 - #14 | 35-50 in-lbs | 7 | OLD55942Z | LPBC52 | | |
| 380 | 3 | | | 1 | 3/8" Hex | 500kcmil- #4 | 375 in-lbs | | 8 | 5/32" Hex | #2 - #14 | 35-50 in-lbs | 7 | OLD55943Z | LPBC53 | | |
| 380 | 1 | AL | | 1 | Slotted | 500kcmil - #4 | 375 in-lbs | | 12 | Slotted | #2 - #14 | 35-50 in-lbs | 7 | OLD55521Z | LPBC51 | | |
| 380 | 2 | | | 1 | Slotted | 500kcmil - #4 | 375 in-lbs | | 12 | Slotted | #2 - #14 | 35-50 in-lbs | 7 | OLD55522Z | LPBC52 | | |
| 380 | 3 | | | 1 | 3/8" Hex | 500kcmil - #4 | 375 in-lbs | | 12 | 5/32" Hex | #2 - #14 | 40-50 in-lbs | 7 | LFD55523Z | LPBC53 | | |
| 420 | 1 | AL | | 1 | 1/2" Hex | 600kcmil- #2 | 375 in-lbs | | 3 | 3/16" Hex | 1/0 - #14 | 35-120 in-lbs | 9 | OLD35881Z | OLCH1331Z | | |
| 420 | 3 | AL | | 1 | 1/2" Hex | 600kcmil- #2 | 375 in-lbs | | 3 | 3/16" Hex | 1/0 - #14 | 35-120 in-lbs | 9 | OLD35883Z | OLCH1333Z | | |
| 420 | 1 | AL | | 1 | 1/2" Hex | 600kcmil- #2 | 375 in-lbs | | 12 | 1/8" Hex | #4 - #14 | 35 in-lbs | 9 | OLD35951Z | OLCH1331Z | | |
| 420 | 2 | AL | | 1 | 1/2" Hex | 600kcmil- #2 | 375 in-lbs | | 12 | 1/8" Hex | #4 - #14 | 35 in-lbs | 9 | OLD35952Z | OLCH1332Z | | |
| 510 | 1 | AL | | | 2 | 5/16" Hex | 250kcmil - #6 | | 275 in-lbs | | 12 | 1/8" Hex | #4 - #14 | 35 in-lbs | 9 | OLD35961Z | OLCH1331Z |
| 510 | 2 | | | | 2 | 5/16" Hex | 250kcmil - #6 | | 275 in-lbs | | 12 | 1/8" Hex | #4 - #14 | 35 in-lbs | 9 | OLD35962Z | OLCH1332Z |
| 510 | 3 | | 2 | | 5/16" Hex | 250kcmil - #6 | 275 in-lbs | 12 | 1/8" Hex | | #4 - #14 | 35 in-lbs | 9 | OLD35963Z | OLCH1333Z | | |
| 760 | 1 | AL | | 2 | 3/8" Hex | 500kcmil - #6 | 375 in-lbs | | 8 | 5/16" Hex | 2/0 - #14 | 35-120 in-lbs | 7 | OLD55861Z | LPBC51 | | |
| 760 | 2 | | | 2 | 3/8" Hex | 500kcmil - #6 | 375 in-lbs | | 8 | 5/16" Hex | 2/0 - #14 | 35-120 in-lbs | 7 | OLD55862Z | LPBC52 | | |
| 760 | 3 | | | 2 | 3/8" Hex | 500kcmil - #4 | 375 in-lbs | | 8 | 3/16" Hex | 2/0 - #14 | 40-120 in-lbs | 7 | LFD55863Z | LPBC53 | | |
| 760 | 1 | CU | | 2 | 3/8" Hex | 500kcmil- #4 | 375 in-lbs | | 8 | 3/16" Hex | 20 - #14 | 35-120 in-lbs | 7 | OLD59861Z | LPBC51 | | |
| 760 | 2 | | | 2 | 3/8" Hex | 500kcmil- #4 | 375 in-lbs | | 8 | 3/16" Hex | 20 - #14 | 35-120 in-lbs | 7 | OLD59862Z | LPBC52 | | |
| 760 | 3 | | | 2 | 3/8" Hex | 500kcmil- #4 | 375 in-lbs | | 8 | 3/16" Hex | 20 - #14 | 35-120 in-lbs | 7 | OLD59863Z | LPBC53 | | |
| 760 | 1 | AL | | 2 | 3/8" Hex | 500kcmil- #6 | 375 in-lbs | | 12 | Slotted | #4 - #14 | 35 in-lbs | 7 | OLD55921Z | LPBC51 | | |
| 760 | 2 | | | 2 | 3/8" Hex | 500kcmil- #6 | 375 in-lbs | | 12 | Slotted | #4 - #14 | 35 in-lbs | 7 | OLD55922Z | LPBC52 | | |
| 760 | 3 | | | 2 | 3/8" Hex | 500kcmil- #4 | 375 in-lbs | | 12 | 1/8" Hex | #4 - #14 | 35 in-lbs | 7 | LFD55923Z | LPBC53 | | |
| 760 | 1 | CU | | 2 | 3/8" Hex | 500kcmil- #6 | 375 in-lbs | | 12 | Slotted | #2 - #14 | 35-50 in-lbs | 7 | OLD59921Z | LPBC51 | | |
| 760 | 2 | | | 2 | 3/8" Hex | 500kcmil- #6 | 375 in-lbs | | 12 | Slotted | #2 - #14 | 35-50 in-lbs | 7 | OLD59922Z | LPBC52 | | |
| 760 | 3 | | | 2 | 3/8" Hex | 500kcmil- #6 | 375 in-lbs | | 12 | Slotted | #2 - #14 | 35-50 in-lbs | 7 | OLD59923Z | LPBC53 | | |
| 760 | 3 | AL | | 2 | 1/2" Hex | 500kcmil - #4 | 375 in-lbs | | 12 | 5/16" Hex | #2 - #14 | 35-50 in-lbs | 7 | OLD54083Z | LPBC53 | | |
| 840 | 3 | AL | | 2 | 1/2" Hex | 600kcmil- #2 | 375 in-lbs | | 4 | 5/16" Hex | 3/0 - #6 | 120 in-lbs | 7 | OLD54113Z | LPBC53 | | |
| 950 | 1 | AL | | 2 | 9/16" Hex | 750kcmil - 1/0 | 600 in-lbs | | 10 | 3/16" Hex | 2/0 - #14 | 50-120 in-lbs | 8 | OLD57041Z | OLCH1351Z | | |
| 950 | 3 | AL | | 2 | 9/16" Hex | 750kcmil - 1/0 | 600 in-lbs | | 10 | 3/16" Hex | 2/0 - #14 | 50-120 in-lbs | 8 | OLD57043Z | OLCH1351Z | | |
| 950 | 1 | AL | | 2 | 9/16" Hex | 750kcmil - 1/0 | 600 in-lbs | | 3 | 5/16" Hex | 250kcmil - #6 | 275 in-lbs | 8 | OLD57051Z | OLCH1351Z | | |
| 950 | 3 | AL | | 2 | 9/16" Hex | 750kcmil - 1/0 | 600 in-lbs | | 12 | 5/32" Hex | #2 - #14 | 40-50 in-lbs | 8 | OLD57053Z | OLCH1351Z | | |
| 950 | 1 | AL | | 2 | 9/16" Hex | 750kcmil - 1/0 | 600 in-lbs | | 3 | 5/16" Hex | 250kcmil - #6 | 275 in-lbs | 8 | OLD57053Z | OLCH1351Z | | |
| 950 | 1 | AL | | 2 | 9/16" Hex | 750kcmil - 1/0 | 600 in-lbs | | 12 | 5/32" Hex | #2 - #14 | 40-50 in-lbs | 8 | OLD57053Z | OLCH1351Z | | |
| 950 | 3 | AL | | 2 | 9/16" Hex | 750kcmil - 1/0 | 600 in-lbs | | 4 | 1/4" Hex | 3/0 - #6 | 180 in-lbs | 8 | OLD57071Z | OLCH1351Z | | |
| 950 | 1 | AL | | 2 | 9/16" Hex | 750kcmil - 1/0 | 600 in-lbs | | 12 | 5/32" Hex | #2 - #14 | 40-50 in-lbs | 8 | OLD57071Z | OLCH1351Z | | |
| 950 | 3 | AL | | 2 | 9/16" Hex | 750kcmil - 1/0 | 600 in-lbs | | 4 | 1/4" Hex | 3/0 - #6 | 180 in-lbs | 8 | OLD57073Z | OLCH1351Z | | |
| 950 | 1 | AL | | 2 | 9/16" Hex | 750kcmil - 1/0 | 600 in-lbs | | 12 | 5/32" Hex | #2 - #14 | 40-50 in-lbs | 8 | OLD57073Z | OLCH1351Z | | |

Note: AL = Aluminum / CU = Copper
*Covers sold separately

POWR-BLOKS

Splicer Block Selection Guide

| AMP PER POLE | POLES | CONNECTOR MATERIAL | LINE CONNECTION | | | | LOAD CONNECTION | | | | FIGURE | CATALOG/ORDERING NUMBER | *PLASTIC COVER ORDERING NUMBER | | |
|--------------|-------|--------------------|---|-------------------|-----------|---------------|-----------------|---|-------------------|-----------|---------------|-------------------------|--------------------------------|---------------|--------------|
| | | | CONNECTOR IMAGE | OPENINGS PER POLE | LUG TYPE | WIRE RANGE | TORQUE RANGE | CONNECTOR IMAGE | OPENINGS PER POLE | LUG TYPE | | | | WIRE RANGE | TORQUE RANGE |
| 115 | 1 | AL |  | 1 | Slotted | #2 - #14 | 35-50 in-lbs |  | 1 | Slotted | #2 - #14 | 35-50 in-lbs | 10 | OLS13301Z | LPBC1441 |
| 115 | 2 | | | 1 | Slotted | #2 - #14 | 35-50 in-lbs | | 1 | Slotted | #2 - #14 | 35-50 in-lbs | 10 | OLS13302Z | LPBC1442 |
| 115 | 3 | | | 1 | 5/32" Hex | #2 - #14 | 40-50 in-lbs | | 1 | 5/32" Hex | #2 - #14 | 40-50 in-lbs | 2 | LFS13003Z | - |
| 115 | 4 | | | 1 | Slotted | #2 - #14 | 35-50 in-lbs | | 1 | Slotted | #2 - #14 | 35-50 in-lbs | 10 | OLS13304Z | LPBC1444 |
| 115 | 1 | AL |  | 1 | Slotted | #2 - #14 | 35-50 in-lbs |  | 1 | Slotted | #2 - #14 | 35-50 in-lbs | 3 | OLS25521Z | LPBC21 |
| 115 | 2 | | | 1 | Slotted | #2 - #14 | 35-50 in-lbs | | 1 | Slotted | #2 - #14 | 35-50 in-lbs | 3 | OLS25522Z | LPBC22 |
| 115 | 3 | | | 1 | Slotted | #2 - #14 | 35-50 in-lbs | | 1 | Slotted | #2 - #14 | 35-50 in-lbs | 3 | OLS25523Z | LPBC23 |
| 150 | 1 | CU |  | 1 | 3/16" Hex | 1/0 - #14 | 35-120 in-lbs |  | 1 | 3/16" Hex | 1/0 - #14 | 35-120 in-lbs | 3 | OLS21211Z | LPBC21 |
| 150 | 2 | | | 1 | 3/16" Hex | 1/0 - #14 | 35-120 in-lbs | | 1 | 3/16" Hex | 1/0 - #14 | 35-120 in-lbs | 3 | OLS21212Z | LPBC22 |
| 150 | 3 | | | 1 | 3/16" Hex | 1/0 - #14 | 35-120 in-lbs | | 1 | 3/16" Hex | 1/0 - #14 | 35-120 in-lbs | 3 | OLS21213Z | LPBC23 |
| 175 | 1 | AL |  | 1 | 5/16" Hex | 2/0 - #14 | 35-120 in-lbs |  | 1 | 5/16" Hex | 2/0 - #14 | 35-120 in-lbs | 3 | OLS25721Z | LPBC21 |
| 175 | 2 | | | 1 | 5/16" Hex | 2/0 - #14 | 35-120 in-lbs | | 1 | 5/16" Hex | 2/0 - #14 | 35-120 in-lbs | 3 | OLS25722Z | LPBC22 |
| 175 | 3 | | | 1 | 3/16" Hex | 2/0 - #14 | 40-120 in-lbs | | 1 | 3/16" Hex | 2/0 - #14 | 40-120 in-lbs | 3 | LFS25723Z | LPBC23 |
| 175 | 1 | AL |  | 1 | 5/16" Hex | 2/0 - #14 | 35-120 in-lbs |  | 1 | 5/16" Hex | 2/0 - #14 | 35-120 in-lbs | 4 | OLS25721ZXDIN | OLCH1321Z |
| 175 | 2 | | | 1 | 5/16" Hex | 2/0 - #14 | 35-120 in-lbs | | 1 | 5/16" Hex | 2/0 - #14 | 35-120 in-lbs | 4 | OLS25722ZXDIN | OLCH1322Z |
| 175 | 3 | | | 1 | 5/16" Hex | 2/0 - #14 | 35-120 in-lbs | | 1 | 5/16" Hex | 2/0 - #14 | 35-120 in-lbs | 4 | OLS25723ZXDIN | OLCH1323Z |
| 175 | Adder | | | 1 | - | 2/0 - #14 | 35-120 in-lbs | | 1 | - | 2/0 - #14 | 35-120 in-lbs | 4 | OLS2572AZXDIN | - |
| 175 | 1 | CU |  | 1 | 5/16" Hex | 2/0 - #14 | 35-120 in-lbs |  | 1 | 5/16" Hex | 2/0 - #14 | 35-120 in-lbs | 4 | OLS29721ZXDIN | OLCH1321Z |
| 175 | 2 | | | 1 | 5/16" Hex | 2/0 - #14 | 35-120 in-lbs | | 1 | 5/16" Hex | 2/0 - #14 | 35-120 in-lbs | 4 | OLS29722ZXDIN | OLCH1322Z |
| 175 | 3 | | | 1 | 5/16" Hex | 2/0 - #14 | 35-120 in-lbs | | 1 | 5/16" Hex | 2/0 - #14 | 35-120 in-lbs | 4 | OLS29723ZXDIN | OLCH1323Z |
| 175 | Adder | | | 1 | - | 2/0 - #14 | 35-120 in-lbs | | 1 | - | 2/0 - #14 | 35-120 in-lbs | 4 | OLS2972AZXDIN | - |
| 255 | 1 | AL |  | 1 | 5/16" Hex | 250kcmil - #6 | 275 in-lbs |  | 1 | 5/16" Hex | 250kcmil - #6 | 275 in-lbs | 5 | OLS31231Z | LPBC31 |
| 255 | 2 | | | 1 | 5/16" Hex | 250kcmil - #6 | 275 in-lbs | | 1 | 5/16" Hex | 250kcmil - #6 | 275 in-lbs | 5 | OLS31232Z | LPBC32 |
| 255 | 3 | | | 1 | 5/16" Hex | 250kcmil - #6 | 275 in-lbs | | 1 | 5/16" Hex | 250kcmil - #6 | 275 in-lbs | 5 | OLS31233Z | LPBC33 |
| 255 | 1 | CU |  | 1 | 3/8" Hex | 250kcmil - #6 | 375 in-lbs |  | 1 | 3/8" Hex | 250kcmil - #6 | 375 in-lbs | 5 | OLS31241Z | LPBC31 |
| 255 | 2 | | | 1 | 3/8" Hex | 250kcmil - #6 | 375 in-lbs | | 1 | 3/8" Hex | 250kcmil - #6 | 375 in-lbs | 5 | OLS31242Z | LPBC32 |
| 255 | 3 | | | 1 | 3/8" Hex | 250kcmil - #6 | 375 in-lbs | | 1 | 3/8" Hex | 250kcmil - #6 | 375 in-lbs | 5 | OLS31243Z | LPBC33 |
| 310 | 2 | AL |  | 1 | 5/16" Hex | 350kcmil - #6 | 275 in-lbs |  | 1 | 5/16" Hex | 350kcmil - #6 | 275 in-lbs | 1 | OLS03032Z | LPBC02 |
| 310 | 3 | | | 1 | 5/16" Hex | 350kcmil - #6 | 275 in-lbs | | 1 | 5/16" Hex | 350kcmil - #6 | 275 in-lbs | 1 | OLS03033Z | LPBC03 |
| 310 | 1 | AL |  | 1 | 5/16" Hex | 350kcmil - #6 | 275 in-lbs |  | 1 | 5/16" Hex | 350kcmil - #6 | 275 in-lbs | 5 | OLS31261Z | LPBC31 |
| 310 | 2 | | | 1 | 5/16" Hex | 350kcmil - #6 | 275 in-lbs | | 1 | 5/16" Hex | 350kcmil - #6 | 275 in-lbs | 5 | OLS31262Z | LPBC32 |
| 310 | 3 | | | 1 | 5/16" Hex | 350kcmil - #6 | 275 in-lbs | | 1 | 5/16" Hex | 350kcmil - #6 | 275 in-lbs | 5 | OLS31263Z | LPBC33 |
| 350 | 3 | AL |  | 2 | 5/16" Hex | 2/0 - #14 | 35-120 in-lbs |  | 2 | 5/16" Hex | 2/0 - #14 | 35-120 in-lbs | 9 | OLS33053Z | OLCH1333Z |
| 420 | 1 | AL |  | 1 | 1/2" Hex | 600kcmil - #4 | 500 in-lbs |  | 1 | 1/2" Hex | 600kcmil - #4 | 500 in-lbs | 6 | OLS45571Z | LPBC41 |
| 420 | 2 | | | 1 | 1/2" Hex | 600kcmil - #4 | 500 in-lbs | | 1 | 1/2" Hex | 600kcmil - #4 | 500 in-lbs | 6 | OLS45572Z | LPBC42 |
| 420 | 3 | | | 1 | 1/2" Hex | 600kcmil - #4 | 500 in-lbs | | 1 | 1/2" Hex | 600kcmil - #4 | 500 in-lbs | 6 | OLS45573Z | LPBC43 |
| 510 | 3 | AL |  | 2 | 5/16" Hex | 250kcmil - #6 | 275 in-lbs |  | 2 | 5/16" Hex | 250kcmil - #6 | 275 in-lbs | 9 | OLS33203Z | OLCH1333Z |
| 620 | 1 | AL |  | 2 | 5/16" Hex | 350kcmil - #4 | 275 in-lbs |  | 2 | 5/16" Hex | 350kcmil - #4 | 275 in-lbs | 7 | OLS51291Z | LPBC51 |
| 620 | 2 | | | 2 | 5/16" Hex | 350kcmil - #4 | 275 in-lbs | | 2 | 5/16" Hex | 350kcmil - #4 | 275 in-lbs | 7 | OLS51292Z | LPBC52 |
| 620 | 3 | | | 2 | 5/16" Hex | 350kcmil - #4 | 275 in-lbs | | 2 | 5/16" Hex | 350kcmil - #4 | 275 in-lbs | 7 | OLS51293Z | LPBC53 |
| 760 | 1 | AL |  | 2 | 3/8" Hex | 500kcmil - #4 | 375 in-lbs |  | 2 | 3/8" Hex | 500kcmil - #4 | 375 in-lbs | 7 | OLS53011Z | LPBC51 |
| 760 | 2 | | | 2 | 3/8" Hex | 500kcmil - #4 | 375 in-lbs | | 2 | 3/8" Hex | 500kcmil - #4 | 375 in-lbs | 7 | OLS53012Z | LPBC52 |
| 760 | 3 | | | 2 | 3/8" Hex | 500kcmil - #4 | 375 in-lbs | | 2 | 3/8" Hex | 500kcmil - #4 | 375 in-lbs | 7 | OLS53013Z | LPBC53 |

Note: AL = Aluminum / CU = Copper
Note: *Covers sold separately

POWR-BLOKS

Distribution Block and Splicer Block Outline Drawings

Dimensions Inches (mm)

Figure 1

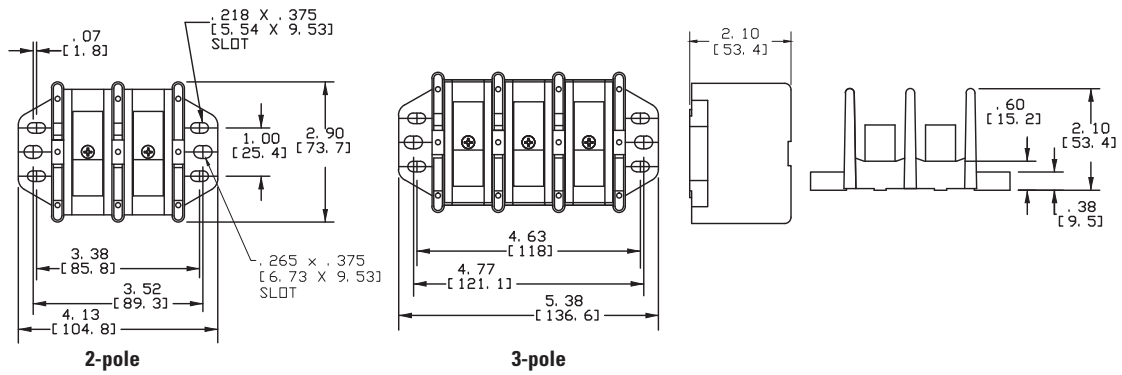


Figure 2

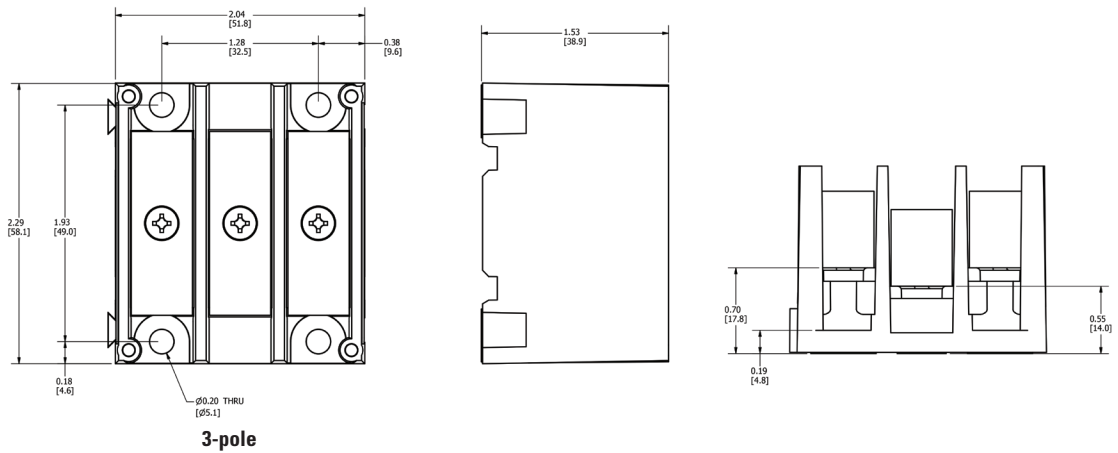
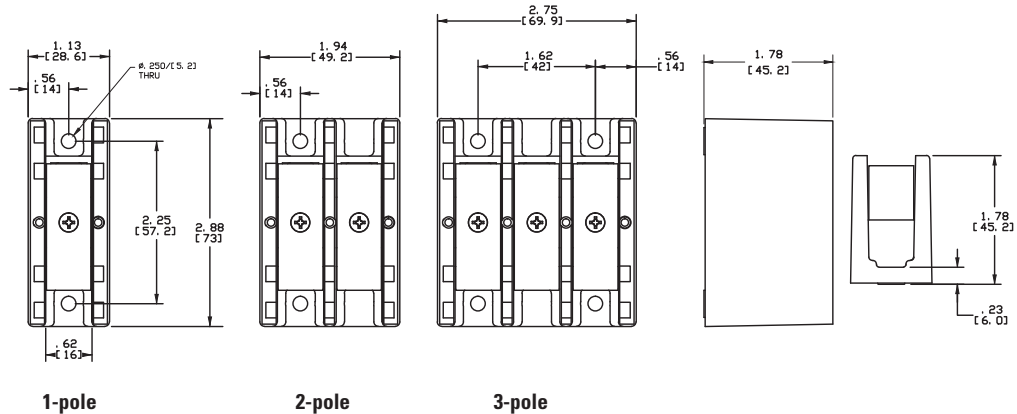


Figure 3



POWR-BLOKS

Distribution Block and Splicer Block Outline Drawings

Dimensions Inches (mm)

Figure 4

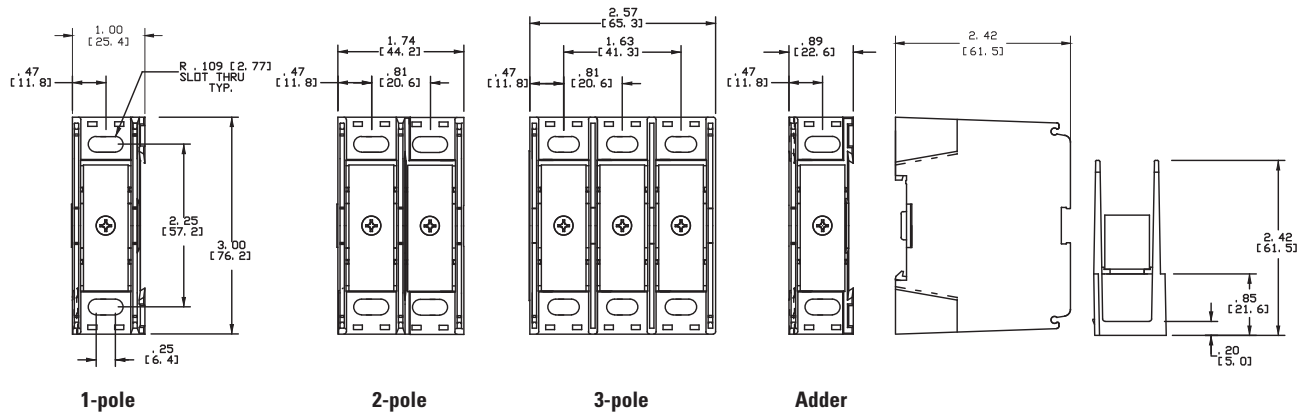


Figure 5

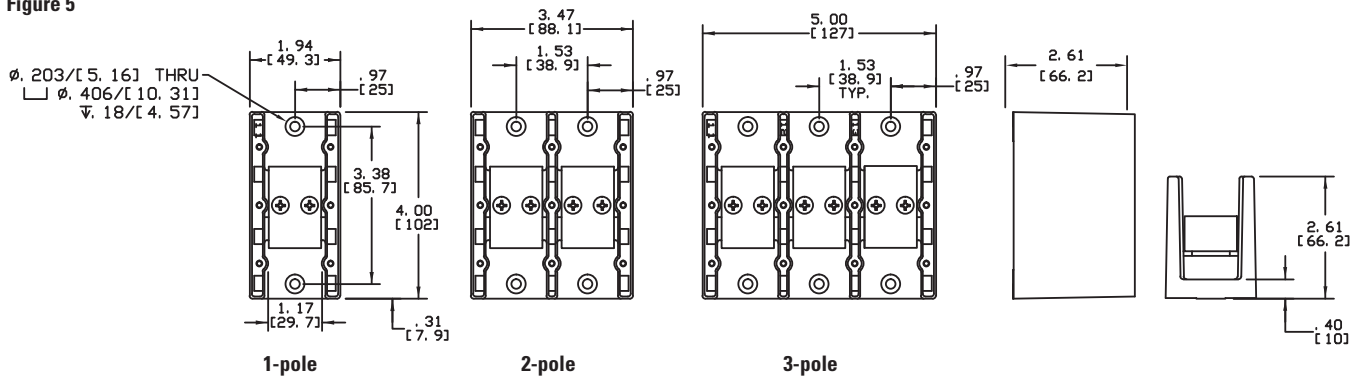
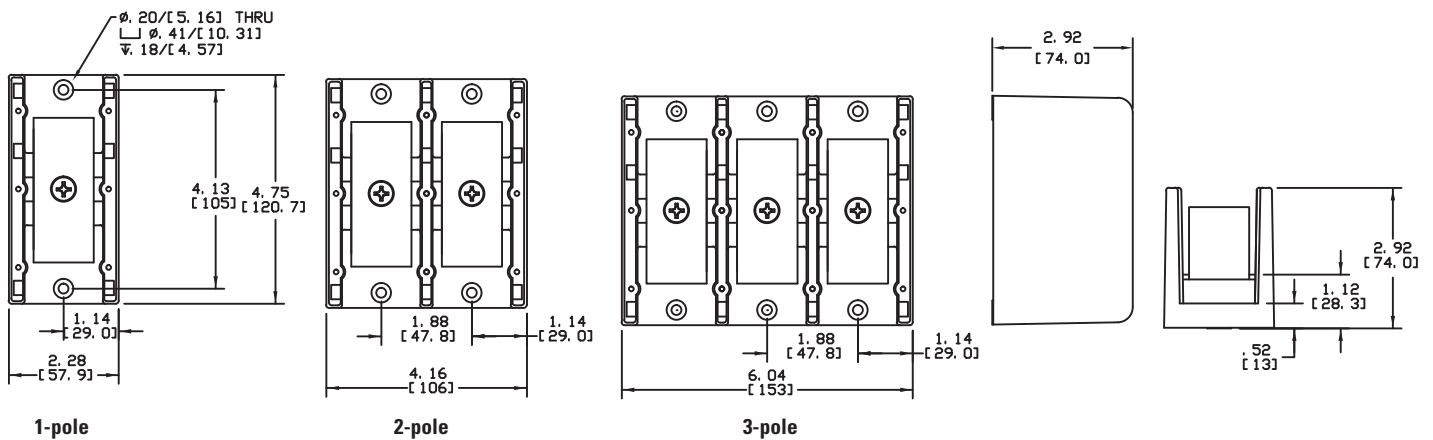


Figure 6



POWR-BLOKS

Distribution Block and Splicer Block Outline Drawings Dimensions Inches (mm)

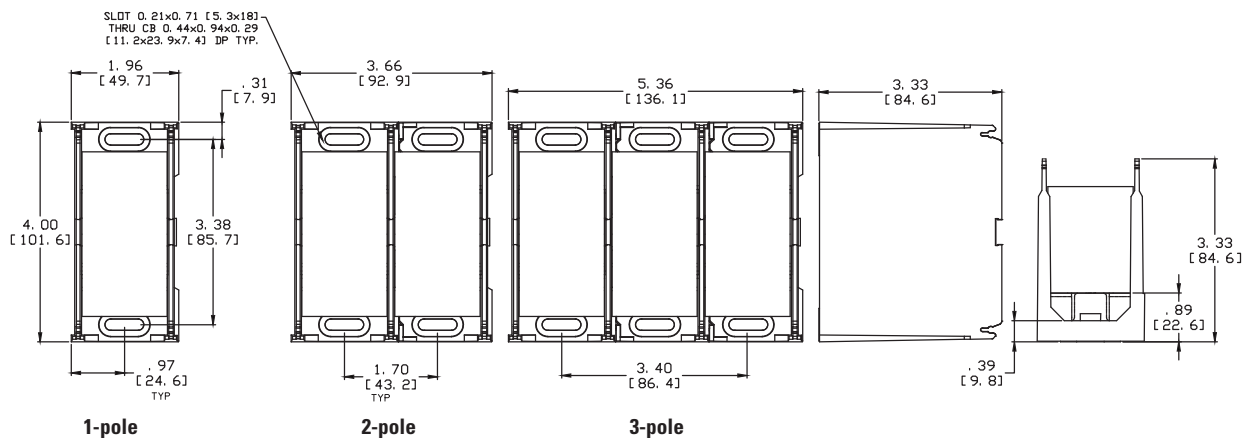
Figure 7



Figure 8



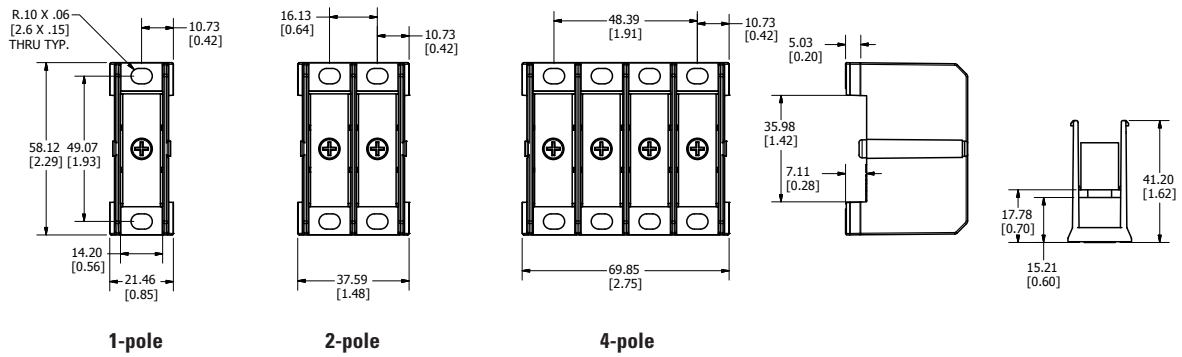
Figure 9



POWR-BLOKS

Distribution Block and Splicer Block Outline Drawings Dimensions Inches (mm)

Figure 10



Disclaimer Notice – Information furnished is believed to be accurate and reliable. However, users should independently evaluate the suitability of and test each product selected for their own applications. Littelfuse products are not designed for, and may not be used in, all applications. Read complete Disclaimer Notice at www.littelfuse.com/product-disclaimer.

POWR-BLOKS

Distribution Blocks • Splicer Blocks • Covers



Description

POWR-BLOKS power distribution blocks offer a safe, convenient way of splicing cables, providing a fixed junction tap-off point or splitting primary power into secondary circuits. Lx2xxx-DIN series offers integral DIN-Rail mount and an optional hinged safety cover.

Optional power distribution block covers provide protection against accidental shorting between poles caused by loose wires, tools, or other conductive material. They also protect personnel from accidentally contacting energized connectors.

Applications

Typical applications include heating, air conditioning and refrigeration systems, elevator systems, material handling equipment, control panels, motor controls, switchgear, and anywhere power needs to be distributed to more than one load.

Connectors

Box lug connectors are designed for use with a single or multiple, solid or class B or C stranded conductor. For UL approved use of more than one conductor per connector opening, contact Littelfuse Technical Service. Manufacturers of cable terminations can furnish crimp-on sleeves for fine stranded conductors which permit these conductors to be used with box lugs.

Ampere Ratings

The ampere rating per pole for power distribution blocks is based on the line ampacity of 75°C insulated conductors per NEC® Table 310.16. If 60°C insulated conductors are used, load must not exceed the ampacity of 60°C conductors. Use of conductors rated in excess of 75°C is permitted (for example 90°C), however, load must not exceed the ampacity of 75°C conductors.

Specifications

| | |
|----------------------------|---|
| Voltage Rating | 600 V |
| Current Rating | Based on NEC Table 310.16, using 75°C copper wire |
| SCCR | Consult Factory |
| Material | Phenolic rated at 150°C and Thermoplastic rated at 125°C (LD1400 and LS1300 series only) |
| Connector | Aluminum: Highly conductive aluminum, tin plated Copper: Highly conductive copper, tin plated |
| Flammability Rating | UL94 V-0 |
| Approvals | UL Recognized - OLD/OLS Series (File: E171395) LFD/LFS Series (File: E309688) CSA Certified - OLD/OLS Series (File: LR700111) LFD/LFS Series (File: 007316_0_000) UL Listed - OLD57xxxx (File: E482231) |
| Environmental | RoHS compliant, Lead (Pb) free |

Ordering Information

See Selection Guide on next page

Web Resources

For dimension, CAD and 3-D drawings, visit:
Littelfuse.com/powrbloks

Hinged Plastic Covers



Clear Plastic Covers



POWR-BLOKS

Distribution Block Selection Guide

| AMP PER POLE | POLES | CONNECTOR MATERIAL | LINE CONNECTION | | | | LOAD CONNECTION | | | | FIGURE | CATALOG/ ORDERING NUMBER | *PLASTIC COVER ORDERING NUMBER | | |
|--------------|-------|--------------------|-----------------|-------------------|------------|---------------|-----------------|-----------------|-------------------|-----------|-----------|--------------------------|--------------------------------|---------------|--------------|
| | | | CONNECTOR IMAGE | OPENINGS PER POLE | LUG TYPE | WIRE RANGE | TORQUE RANGE | CONNECTOR IMAGE | OPENINGS PER POLE | LUG TYPE | | | | WIRE RANGE | TORQUE RANGE |
| 115 | 1 | AL | | 1 | Slotted | #2 - #14 | 35-50 in-lbs | | 4 | Slotted | #10 - #18 | 7 in-lbs | 10 | OLD14401Z | LPBC1441 |
| 115 | 2 | | | 1 | Slotted | #2 - #14 | 35-50 in-lbs | | 4 | Slotted | #10 - #18 | 7 in-lbs | 10 | OLD14402Z | LPBC1442 |
| 115 | 3 | | | 1 | 5/32" Hex | #2 - #14 | 50-40 in-lbs | | 4 | 5/64" Hex | #10 - #18 | 7 in-lbs | 2 | LFD14003Z | LPBC13 |
| 115 | 4 | | | 1 | Slotted | #2 - #14 | 35-50 in-lbs | | 4 | Slotted | #10 - #18 | 7 in-lbs | 10 | OLD14404Z | LPBC1444 |
| 175 | 1 | AL | | 1 | 5/16" Hex | 2/0 - #14 | 35-120 in-lbs | | 4 | Slotted | #4 - #14 | 35 in-lbs | 3 | OLD25701Z | LPBC21 |
| 175 | 2 | | | 1 | 3/16" Hex | 2/0 - #14 | 40-120 in-lbs | | 4 | 1/8" Hex | #4 - #14 | 35 in-lbs | 3 | LFD25702Z | LPBC22 |
| 175 | 3 | | | 1 | 3/16" Hex | 2/0 - #14 | 40-120 in-lbs | | 4 | 1/8" Hex | #4 - #14 | 35 in-lbs | 3 | LFD25703Z | LPBC23 |
| 175 | 1 | AL | | 1 | 3/16" Hex | 2/0 - #14 | 35-120 in-lbs | | 4 | 1/8" Hex | #4 - #14 | 35 in-lbs | 4 | OLD25701ZXDIN | OLCH1321Z |
| 175 | 2 | | | 1 | 3/16" Hex | 2/0 - #14 | 35-120 in-lbs | | 4 | 1/8" Hex | #4 - #14 | 35 in-lbs | 4 | OLD25702ZXDIN | OLCH1322Z |
| 175 | 3 | | | 1 | 3/16" Hex | 2/0 - #14 | 35-120 in-lbs | | 4 | 1/8" Hex | #4 - #14 | 35 in-lbs | 4 | OLD25703ZXDIN | OLCH1323Z |
| 175 | Adder | | | 1 | - | 2/0 - #14 | 35-120 in-lbs | | 4 | - | #4 - #14 | 35 in-lbs | 4 | OLD2570AZXDIN | - |
| 175 | 1 | CU | | 1 | 3/16" Hex | 2/0 - #14 | 35-120 in-lbs | | 4 | Slotted | #4 - #14 | 35 in-lbs | 3 | OLD29701Z | LPBC21 |
| 175 | 2 | | | 1 | 3/16" Hex | 2/0 - #14 | 35-120 in-lbs | | 4 | Slotted | #4 - #14 | 35 in-lbs | 3 | OLD29702Z | LPBC22 |
| 175 | 3 | | | 1 | 3/16" Hex | 2/0 - #14 | 35-120 in-lbs | | 4 | Slotted | #4 - #14 | 35 in-lbs | 3 | OLD29703Z | LPBC23 |
| 175 | 1 | CU | | 1 | 3/16" Hex | 2/0 - #14 | 35-120 in-lbs | | 4 | Slotted | #4 - #14 | 35 in-lbs | 4 | OLD29701ZXDIN | OLCH1321Z |
| 175 | 2 | | | 1 | 3/16" Hex | 2/0 - #14 | 35-120 in-lbs | | 4 | Slotted | #4 - #14 | 35 in-lbs | 4 | OLD29702ZXDIN | OLCH1322Z |
| 175 | 3 | | | 1 | 3/16" Hex | 2/0 - #14 | 35-120 in-lbs | | 4 | Slotted | #4 - #14 | 35 in-lbs | 4 | OLD29703ZXDIN | OLCH1323Z |
| 175 | Adder | | | 1 | - | 2/0 - #14 | 35-120 in-lbs | | 4 | - | #4 - #14 | 35 in-lbs | 4 | OLD2970AZXDIN | - |
| 175 | 2 | AL | | 1 | 5/16" Hex | 2/0 - #14 | 35-120 in-lbs | | 4 | Slotted | #4 - #14 | 35 in-lbs | 1 | OLD04022Z | LPBC02 |
| 175 | 3 | | | 1 | 5/16" Hex | 2/0 - #14 | 35-120 in-lbs | | 4 | Slotted | #4 - #14 | 35 in-lbs | 1 | OLD04023Z | LPBC03 |
| 175 | 2 | AL | | 1 | 5/16" Hex | 2/0 - #14 | 35-120 in-lbs | | 6 | Slotted | #4 - #14 | 35 in-lbs | 1 | OLD04012Z | LPBC02 |
| 175 | 3 | | | 1 | 3/16" Hex | 2/0 - #14 | 40-120 in-lbs | | 6 | 1/8" Hex | #4 - #14 | 35 in-lbs | 1 | LFD04013Z | LPBC03 |
| 175 | 1 | AL | | 1 | 5/16" Hex | 2/0 - #14 | 35-120 in-lbs | | 6 | 1/8" Hex | #4 - #14 | 35 in-lbs | 4 | OLD25801ZXDIN | OLCH1321Z |
| 175 | 2 | | | 1 | 5/16" Hex | 2/0 - #14 | 35-120 in-lbs | | 6 | 1/8" Hex | #4 - #14 | 35 in-lbs | 4 | OLD25802ZXDIN | OLCH1322Z |
| 175 | 3 | | | 1 | 5/16" Hex | 2/0 - #14 | 35-120 in-lbs | | 6 | 1/8" Hex | #4 - #14 | 35 in-lbs | 4 | OLD25803ZXDIN | OLCH1323Z |
| 175 | Adder | | | 1 | 5/16" Hex | 2/0 - #14 | 35-120 in-lbs | | 6 | 1/8" Hex | #4 - #14 | 35 in-lbs | 4 | OLD2580AZXDIN | - |
| 310 | 3 | AL | | 1 | 5/16" Hex | 350kcmil - #6 | 40-120 in-lbs | | 2 | 3/16" Hex | 2/0 - #14 | 35-120 in-lbs | 9 | OLD335543Z | OLCH1333Z |
| 310 | 2 | AL | | 1 | 5/16" Hex | 350kcmil - #6 | 275 in-lbs | | 6 | Slotted | #4 - #14 | 35 in-lbs | 1 | OLD04042Z | LPBC02 |
| 310 | 3 | | | 1 | 5/16" Hex | 350kcmil - #6 | 275 in-lbs | | 6 | Slotted | #4 - #14 | 35 in-lbs | 1 | OLD04043Z | LPBC03 |
| 335 | 1 | AL | | 1 | 5/16" Hex | 400kcmil - #6 | 275 in-lbs | | 4 | Slotted | #2 - #14 | 35-50 in-lbs | 5 | OLD35521Z | LPBC31 |
| 335 | 2 | | | 1 | 5/16" Hex | 400kcmil - #6 | 275 in-lbs | | 4 | Slotted | #2 - #14 | 35-50 in-lbs | 5 | OLD35522Z | LPBC32 |
| 380 | 3 | | | 1 | 3/8" Hex | 500kcmil - #6 | 375 in-lbs | | 4 | 5/32" Hex | #2 - #14 | 35-50 in-lbs | 5 | LFD35523Z | LPBC33 |
| 335 | 1 | AL | | 1 | 5/16" Hex | 400kcmil - #6 | 275 in-lbs | | 6 | Slotted | #2 - #14 | 35-50 in-lbs | 5 | OLD35531Z | LPBC31 |
| 335 | 2 | | | 1 | 5/16" Hex | 400kcmil - #6 | 275 in-lbs | | 6 | Slotted | #2 - #14 | 35-50 in-lbs | 5 | OLD35532Z | LPBC32 |
| 380 | 3 | | | 1 | 3/8" Hex | 500kcmil - #6 | 375 in-lbs | | 6 | 5/32" Hex | #2 - #14 | 40-50 in-lbs | 5 | LFD35533Z | LPBC33 |
| 335 | 1 | AL | | 1 | Slotted | 400kcmil - #6 | 275 in-lbs | | 8 | Slotted | #2 - #14 | 35-50 in-lbs | 6 | OLD45601Z | LPBC41 |
| 335 | 2 | | | 1 | Slotted | 400kcmil - #6 | 275 in-lbs | | 8 | Slotted | #2 - #14 | 35-50 in-lbs | 6 | OLD45602Z | LPBC42 |
| 335 | 3 | | | 1 | Slotted | 400kcmil - #6 | 275 in-lbs | | 8 | Slotted | #2 - #14 | 35-50 in-lbs | 6 | OLD45603Z | LPBC43 |
| 350 | 1 | AL | | 2 | 3/16" Hex | 2/0 - #14 | 35-120 in-lbs | | 6 | Slotted | #4 - #14 | 35 in-lbs | 5 | OLD35551Z | LPBC31 |
| 350 | 2 | | | 2 | 3w/16" Hex | 2/0 - #14 | 35-120 in-lbs | | 6 | Slotted | #4 - #14 | 35 in-lbs | 5 | OLD35552Z | LPBC32 |
| 350 | 3 | | | 2 | 3/16" Hex | 2/0 - #14 | 40-120 in-lbs | | 6 | 1/8" Hex | #4 - #14 | 35 in-lbs | 5 | LFD35553Z | LPBC33 |
| 350 | 1 | CU | | 2 | Slotted | 2/0 - #14 | 35-120 in-lbs | | 6 | 1/8" Hex | #4 - #14 | 35 in-lbs | 5 | OLD39551Z | LPBC31 |
| 350 | 2 | | | 2 | Slotted | 2/0 - #14 | 35-120 in-lbs | | 6 | 1/8" Hex | #4 - #14 | 35 in-lbs | 5 | OLD39552Z | LPBC32 |
| 350 | 3 | | | 2 | Slotted | 2/0 - #14 | 35-120 in-lbs | | 6 | 1/8" Hex | #4 - #14 | 35 in-lbs | 5 | OLD39553Z | LPBC33 |
| 380 | 1 | CU | | 1 | Slotted | 500kcmil - #6 | 375 in-lbs | | 6 | 5/32" Hex | #2 - #14 | 35-50 in-lbs | 5 | OLD39531Z | LPBC31 |
| 380 | 2 | | | 1 | Slotted | 500kcmil - #6 | 375 in-lbs | | 6 | 5/32" Hex | #2 - #14 | 35-50 in-lbs | 5 | OLD39532Z | LPBC32 |
| 380 | 3 | | | 1 | Slotted | 500kcmil - #6 | 375 in-lbs | | 6 | 5/32" Hex | #2 - #14 | 35-50 in-lbs | 5 | OLD39533Z | LPBC33 |
| 380 | 1 | AL | | 1 | Slotted | 500kcmil - #4 | 375 in-lbs | | 6 | Slotted | #2 - #14 | 35-50 in-lbs | 6 | OLD45511Z | LPBC41 |
| 380 | 2 | | | 1 | Slotted | 500kcmil - #4 | 375 in-lbs | | 6 | Slotted | #2 - #14 | 35-50 in-lbs | 6 | OLD45512Z | LPBC42 |
| 380 | 3 | | | 1 | Slotted | 500kcmil - #4 | 375 in-lbs | | 6 | Slotted | #2 - #14 | 35-50 in-lbs | 6 | OLD45513Z | LPBC43 |
| 380 | 1 | AL | | 1 | 3/8" Hex | 500kcmil - #4 | 375 in-lbs | | 6 | 5/16" Hex | 2/0 - #14 | 35-120 in-lbs | 7 | OLD55791Z | LPBC51 |
| 380 | 2 | | | 1 | 3/8" Hex | 500kcmil - #4 | 375 in-lbs | | 6 | 5/16" Hex | 2/0 - #14 | 35-120 in-lbs | 7 | OLD55792Z | LPBC52 |
| 380 | 3 | | | 1 | 3/8" Hex | 500kcmil - #4 | 375 in-lbs | | 6 | 5/16" Hex | 2/0 - #14 | 40-120 in-lbs | 7 | LFD55793Z | LPBC53 |

Note: AL = Aluminum / CU = Copper *Covers sold separately

POWR-BLOKS

Distribution Block Selection Guide

| AMP PER POLE | POLES | CONNECTOR MATERIAL | LINE CONNECTION | | | | LOAD CONNECTION | | | | FIGURE | CATALOG/ORDERING NUMBER | *PLASTIC COVER ORDERING NUMBER | | | | |
|--------------|-------|--------------------|-----------------|-------------------|-----------|----------------|-----------------|-----------------|-------------------|-----------|---------------|-------------------------|--------------------------------|------------|--------------|-----------|-----------|
| | | | CONNECTOR IMAGE | OPENINGS PER POLE | LUG TYPE | WIRE RANGE | TORQUE RANGE | CONNECTOR IMAGE | OPENINGS PER POLE | LUG TYPE | | | | WIRE RANGE | TORQUE RANGE | | |
| 380 | 1 | AL | | 1 | 3/8" Hex | 500kcmil- #4 | 375 in-lbs | | 8 | 5/32" Hex | #2 - #14 | 35-50 in-lbs | 7 | OLD55941Z | LPBC51 | | |
| 380 | 2 | | | 1 | 3/8" Hex | 500kcmil- #4 | 375 in-lbs | | 8 | 5/32" Hex | #2 - #14 | 35-50 in-lbs | 7 | OLD55942Z | LPBC52 | | |
| 380 | 3 | | | 1 | 3/8" Hex | 500kcmil- #4 | 375 in-lbs | | 8 | 5/32" Hex | #2 - #14 | 35-50 in-lbs | 7 | OLD55943Z | LPBC53 | | |
| 380 | 1 | AL | | 1 | Slotted | 500kcmil - #4 | 375 in-lbs | | 12 | Slotted | #2 - #14 | 35-50 in-lbs | 7 | OLD55521Z | LPBC51 | | |
| 380 | 2 | | | 1 | Slotted | 500kcmil - #4 | 375 in-lbs | | 12 | Slotted | #2 - #14 | 35-50 in-lbs | 7 | OLD55522Z | LPBC52 | | |
| 380 | 3 | | | 1 | 3/8" Hex | 500kcmil - #4 | 375 in-lbs | | 12 | 5/32" Hex | #2 - #14 | 40-50 in-lbs | 7 | LFD55523Z | LPBC53 | | |
| 420 | 1 | AL | | 1 | 1/2" Hex | 600kcmil- #2 | 375 in-lbs | | 3 | 3/16" Hex | 1/0 - #14 | 35-120 in-lbs | 9 | OLD35881Z | OLCH1331Z | | |
| 420 | 3 | AL | | 1 | 1/2" Hex | 600kcmil- #2 | 375 in-lbs | | 3 | 3/16" Hex | 1/0 - #14 | 35-120 in-lbs | 9 | OLD35883Z | OLCH1333Z | | |
| 420 | 1 | AL | | 1 | 1/2" Hex | 600kcmil- #2 | 375 in-lbs | | 12 | 1/8" Hex | #4 - #14 | 35 in-lbs | 9 | OLD35951Z | OLCH1331Z | | |
| 420 | 2 | AL | | 1 | 1/2" Hex | 600kcmil- #2 | 375 in-lbs | | 12 | 1/8" Hex | #4 - #14 | 35 in-lbs | 9 | OLD35952Z | OLCH1332Z | | |
| 510 | 1 | AL | | | 2 | 5/16" Hex | 250kcmil - #6 | | 275 in-lbs | | 12 | 1/8" Hex | #4 - #14 | 35 in-lbs | 9 | OLD35961Z | OLCH1331Z |
| 510 | 2 | | | | 2 | 5/16" Hex | 250kcmil - #6 | | 275 in-lbs | | 12 | 1/8" Hex | #4 - #14 | 35 in-lbs | 9 | OLD35962Z | OLCH1332Z |
| 510 | 3 | | 2 | | 5/16" Hex | 250kcmil - #6 | 275 in-lbs | 12 | 1/8" Hex | | #4 - #14 | 35 in-lbs | 9 | OLD35963Z | OLCH1333Z | | |
| 760 | 1 | AL | | 2 | 3/8" Hex | 500kcmil - #6 | 375 in-lbs | | 8 | 5/16" Hex | 2/0 - #14 | 35-120 in-lbs | 7 | OLD55861Z | LPBC51 | | |
| 760 | 2 | | | 2 | 3/8" Hex | 500kcmil - #6 | 375 in-lbs | | 8 | 5/16" Hex | 2/0 - #14 | 35-120 in-lbs | 7 | OLD55862Z | LPBC52 | | |
| 760 | 3 | | | 2 | 3/8" Hex | 500kcmil - #4 | 375 in-lbs | | 8 | 3/16" Hex | 2/0 - #14 | 40-120 in-lbs | 7 | LFD55863Z | LPBC53 | | |
| 760 | 1 | CU | | 2 | 3/8" Hex | 500kcmil- #4 | 375 in-lbs | | 8 | 3/16" Hex | 20 - #14 | 35-120 in-lbs | 7 | OLD59861Z | LPBC51 | | |
| 760 | 2 | | | 2 | 3/8" Hex | 500kcmil- #4 | 375 in-lbs | | 8 | 3/16" Hex | 20 - #14 | 35-120 in-lbs | 7 | OLD59862Z | LPBC52 | | |
| 760 | 3 | | | 2 | 3/8" Hex | 500kcmil- #4 | 375 in-lbs | | 8 | 3/16" Hex | 20 - #14 | 35-120 in-lbs | 7 | OLD59863Z | LPBC53 | | |
| 760 | 1 | AL | | 2 | 3/8" Hex | 500kcmil- #6 | 375 in-lbs | | 12 | Slotted | #4 - #14 | 35 in-lbs | 7 | OLD55921Z | LPBC51 | | |
| 760 | 2 | | | 2 | 3/8" Hex | 500kcmil- #6 | 375 in-lbs | | 12 | Slotted | #4 - #14 | 35 in-lbs | 7 | OLD55922Z | LPBC52 | | |
| 760 | 3 | | | 2 | 3/8" Hex | 500kcmil- #4 | 375 in-lbs | | 12 | 1/8" Hex | #4 - #14 | 35 in-lbs | 7 | LFD55923Z | LPBC53 | | |
| 760 | 1 | CU | | 2 | 3/8" Hex | 500kcmil- #6 | 375 in-lbs | | 12 | Slotted | #2 - #14 | 35-50 in-lbs | 7 | OLD59921Z | LPBC51 | | |
| 760 | 2 | | | 2 | 3/8" Hex | 500kcmil- #6 | 375 in-lbs | | 12 | Slotted | #2 - #14 | 35-50 in-lbs | 7 | OLD59922Z | LPBC52 | | |
| 760 | 3 | | | 2 | 3/8" Hex | 500kcmil- #6 | 375 in-lbs | | 12 | Slotted | #2 - #14 | 35-50 in-lbs | 7 | OLD59923Z | LPBC53 | | |
| 760 | 3 | AL | | 2 | 1/2" Hex | 500kcmil - #4 | 375 in-lbs | | 12 | 5/16" Hex | #2 - #14 | 35-50 in-lbs | 7 | OLD54083Z | LPBC53 | | |
| 840 | 3 | AL | | 2 | 1/2" Hex | 600kcmil- #2 | 375 in-lbs | | 4 | 5/16" Hex | 3/0 - #6 | 120 in-lbs | 7 | OLD54113Z | LPBC53 | | |
| 950 | 1 | AL | | 2 | 9/16" Hex | 750kcmil - 1/0 | 600 in-lbs | | 10 | 3/16" Hex | 2/0 - #14 | 50-120 in-lbs | 8 | OLD57041Z | OLCH1351Z | | |
| 950 | 3 | AL | | 2 | 9/16" Hex | 750kcmil - 1/0 | 600 in-lbs | | 10 | 3/16" Hex | 2/0 - #14 | 50-120 in-lbs | 8 | OLD57043Z | OLCH1351Z | | |
| 950 | 1 | AL | | 2 | 9/16" Hex | 750kcmil - 1/0 | 600 in-lbs | | 3 | 5/16" Hex | 250kcmil - #6 | 275 in-lbs | 8 | OLD57051Z | OLCH1351Z | | |
| 950 | 3 | AL | | 2 | 9/16" Hex | 750kcmil - 1/0 | 600 in-lbs | | 12 | 5/32" Hex | #2 - #14 | 40-50 in-lbs | 8 | OLD57053Z | OLCH1351Z | | |
| 950 | 1 | AL | | 2 | 9/16" Hex | 750kcmil - 1/0 | 600 in-lbs | | 3 | 5/16" Hex | 250kcmil - #6 | 275 in-lbs | 8 | OLD57053Z | OLCH1351Z | | |
| 950 | 1 | AL | | 2 | 9/16" Hex | 750kcmil - 1/0 | 600 in-lbs | | 12 | 5/32" Hex | #2 - #14 | 40-50 in-lbs | 8 | OLD57053Z | OLCH1351Z | | |
| 950 | 3 | AL | | 2 | 9/16" Hex | 750kcmil - 1/0 | 600 in-lbs | | 4 | 1/4" Hex | 3/0 - #6 | 180 in-lbs | 8 | OLD57071Z | OLCH1351Z | | |
| 950 | 1 | AL | | 2 | 9/16" Hex | 750kcmil - 1/0 | 600 in-lbs | | 12 | 5/32" Hex | #2 - #14 | 40-50 in-lbs | 8 | OLD57071Z | OLCH1351Z | | |
| 950 | 3 | AL | | 2 | 9/16" Hex | 750kcmil - 1/0 | 600 in-lbs | | 4 | 1/4" Hex | 3/0 - #6 | 180 in-lbs | 8 | OLD57073Z | OLCH1351Z | | |
| 950 | 1 | AL | | 2 | 9/16" Hex | 750kcmil - 1/0 | 600 in-lbs | | 12 | 5/32" Hex | #2 - #14 | 40-50 in-lbs | 8 | OLD57073Z | OLCH1351Z | | |

Note: AL = Aluminum / CU = Copper
*Covers sold separately

POWR-BLOKS

Splicer Block Selection Guide

| AMP PER POLE | POLES | CONNECTOR MATERIAL | LINE CONNECTION | | | | LOAD CONNECTION | | | | FIGURE | CATALOG/ORDERING NUMBER | *PLASTIC COVER ORDERING NUMBER | | |
|--------------|-------|--------------------|-----------------|-------------------|-----------|---------------|-----------------|-----------------|-------------------|-----------|---------------|-------------------------|--------------------------------|---------------|--------------|
| | | | CONNECTOR IMAGE | OPENINGS PER POLE | LUG TYPE | WIRE RANGE | TORQUE RANGE | CONNECTOR IMAGE | OPENINGS PER POLE | LUG TYPE | | | | WIRE RANGE | TORQUE RANGE |
| 115 | 1 | AL | | 1 | Slotted | #2 - #14 | 35-50 in-lbs | | 1 | Slotted | #2 - #14 | 35-50 in-lbs | 10 | OLS13301Z | LPBC1441 |
| 115 | 2 | | | 1 | Slotted | #2 - #14 | 35-50 in-lbs | | 1 | Slotted | #2 - #14 | 35-50 in-lbs | 10 | OLS13302Z | LPBC1442 |
| 115 | 3 | | | 1 | 5/32" Hex | #2 - #14 | 40-50 in-lbs | | 1 | 5/32" Hex | #2 - #14 | 40-50 in-lbs | 2 | LFS13003Z | - |
| 115 | 4 | | | 1 | Slotted | #2 - #14 | 35-50 in-lbs | | 1 | Slotted | #2 - #14 | 35-50 in-lbs | 10 | OLS13304Z | LPBC1444 |
| 115 | 1 | AL | | 1 | Slotted | #2 - #14 | 35-50 in-lbs | | 1 | Slotted | #2 - #14 | 35-50 in-lbs | 3 | OLS25521Z | LPBC21 |
| 115 | 2 | | | 1 | Slotted | #2 - #14 | 35-50 in-lbs | | 1 | Slotted | #2 - #14 | 35-50 in-lbs | 3 | OLS25522Z | LPBC22 |
| 115 | 3 | | | 1 | Slotted | #2 - #14 | 35-50 in-lbs | | 1 | Slotted | #2 - #14 | 35-50 in-lbs | 3 | OLS25523Z | LPBC23 |
| 150 | 1 | CU | | 1 | 3/16" Hex | 1/0 - #14 | 35-120 in-lbs | | 1 | 3/16" Hex | 1/0 - #14 | 35-120 in-lbs | 3 | OLS21211Z | LPBC21 |
| 150 | 2 | | | 1 | 3/16" Hex | 1/0 - #14 | 35-120 in-lbs | | 1 | 3/16" Hex | 1/0 - #14 | 35-120 in-lbs | 3 | OLS21212Z | LPBC22 |
| 150 | 3 | | | 1 | 3/16" Hex | 1/0 - #14 | 35-120 in-lbs | | 1 | 3/16" Hex | 1/0 - #14 | 35-120 in-lbs | 3 | OLS21213Z | LPBC23 |
| 175 | 1 | AL | | 1 | 5/16" Hex | 2/0 - #14 | 35-120 in-lbs | | 1 | 5/16" Hex | 2/0 - #14 | 35-120 in-lbs | 3 | OLS25721Z | LPBC21 |
| 175 | 2 | | | 1 | 5/16" Hex | 2/0 - #14 | 35-120 in-lbs | | 1 | 5/16" Hex | 2/0 - #14 | 35-120 in-lbs | 3 | OLS25722Z | LPBC22 |
| 175 | 3 | | | 1 | 3/16" Hex | 2/0 - #14 | 40-120 in-lbs | | 1 | 3/16" Hex | 2/0 - #14 | 40-120 in-lbs | 3 | LFS25723Z | LPBC23 |
| 175 | 1 | AL | | 1 | 5/16" Hex | 2/0 - #14 | 35-120 in-lbs | | 1 | 5/16" Hex | 2/0 - #14 | 35-120 in-lbs | 4 | OLS25721ZXDIN | OLCH1321Z |
| 175 | 2 | | | 1 | 5/16" Hex | 2/0 - #14 | 35-120 in-lbs | | 1 | 5/16" Hex | 2/0 - #14 | 35-120 in-lbs | 4 | OLS25722ZXDIN | OLCH1322Z |
| 175 | 3 | | | 1 | 5/16" Hex | 2/0 - #14 | 35-120 in-lbs | | 1 | 5/16" Hex | 2/0 - #14 | 35-120 in-lbs | 4 | OLS25723ZXDIN | OLCH1323Z |
| 175 | Adder | | | 1 | - | 2/0 - #14 | 35-120 in-lbs | | 1 | - | 2/0 - #14 | 35-120 in-lbs | 4 | OLS2572AZXDIN | - |
| 175 | 1 | CU | | 1 | 5/16" Hex | 2/0 - #14 | 35-120 in-lbs | | 1 | 5/16" Hex | 2/0 - #14 | 35-120 in-lbs | 4 | OLS29721ZXDIN | OLCH1321Z |
| 175 | 2 | | | 1 | 5/16" Hex | 2/0 - #14 | 35-120 in-lbs | | 1 | 5/16" Hex | 2/0 - #14 | 35-120 in-lbs | 4 | OLS29722ZXDIN | OLCH1322Z |
| 175 | 3 | | | 1 | 5/16" Hex | 2/0 - #14 | 35-120 in-lbs | | 1 | 5/16" Hex | 2/0 - #14 | 35-120 in-lbs | 4 | OLS29723ZXDIN | OLCH1323Z |
| 175 | Adder | | | 1 | - | 2/0 - #14 | 35-120 in-lbs | | 1 | - | 2/0 - #14 | 35-120 in-lbs | 4 | OLS2972AZXDIN | - |
| 255 | 1 | AL | | 1 | 5/16" Hex | 250kcmil - #6 | 275 in-lbs | | 1 | 5/16" Hex | 250kcmil - #6 | 275 in-lbs | 5 | OLS31231Z | LPBC31 |
| 255 | 2 | | | 1 | 5/16" Hex | 250kcmil - #6 | 275 in-lbs | | 1 | 5/16" Hex | 250kcmil - #6 | 275 in-lbs | 5 | OLS31232Z | LPBC32 |
| 255 | 3 | | | 1 | 5/16" Hex | 250kcmil - #6 | 275 in-lbs | | 1 | 5/16" Hex | 250kcmil - #6 | 275 in-lbs | 5 | OLS31233Z | LPBC33 |
| 255 | 1 | CU | | 1 | 3/8" Hex | 250kcmil - #6 | 375 in-lbs | | 1 | 3/8" Hex | 250kcmil - #6 | 375 in-lbs | 5 | OLS31241Z | LPBC31 |
| 255 | 2 | | | 1 | 3/8" Hex | 250kcmil - #6 | 375 in-lbs | | 1 | 3/8" Hex | 250kcmil - #6 | 375 in-lbs | 5 | OLS31242Z | LPBC32 |
| 255 | 3 | | | 1 | 3/8" Hex | 250kcmil - #6 | 375 in-lbs | | 1 | 3/8" Hex | 250kcmil - #6 | 375 in-lbs | 5 | OLS31243Z | LPBC33 |
| 310 | 2 | AL | | 1 | 5/16" Hex | 350kcmil - #6 | 275 in-lbs | | 1 | 5/16" Hex | 350kcmil - #6 | 275 in-lbs | 1 | OLS03032Z | LPBC02 |
| 310 | 3 | | | 1 | 5/16" Hex | 350kcmil - #6 | 275 in-lbs | | 1 | 5/16" Hex | 350kcmil - #6 | 275 in-lbs | 1 | OLS03033Z | LPBC03 |
| 310 | 1 | AL | | 1 | 5/16" Hex | 350kcmil - #6 | 275 in-lbs | | 1 | 5/16" Hex | 350kcmil - #6 | 275 in-lbs | 5 | OLS31261Z | LPBC31 |
| 310 | 2 | | | 1 | 5/16" Hex | 350kcmil - #6 | 275 in-lbs | | 1 | 5/16" Hex | 350kcmil - #6 | 275 in-lbs | 5 | OLS31262Z | LPBC32 |
| 310 | 3 | | | 1 | 5/16" Hex | 350kcmil - #6 | 275 in-lbs | | 1 | 5/16" Hex | 350kcmil - #6 | 275 in-lbs | 5 | OLS31263Z | LPBC33 |
| 350 | 3 | AL | | 2 | 5/16" Hex | 2/0 - #14 | 35-120 in-lbs | | 2 | 5/16" Hex | 2/0 - #14 | 35-120 in-lbs | 9 | OLS33053Z | OLCH1333Z |
| 420 | 1 | AL | | 1 | 1/2" Hex | 600kcmil - #4 | 500 in-lbs | | 1 | 1/2" Hex | 600kcmil - #4 | 500 in-lbs | 6 | OLS45571Z | LPBC41 |
| 420 | 2 | | | 1 | 1/2" Hex | 600kcmil - #4 | 500 in-lbs | | 1 | 1/2" Hex | 600kcmil - #4 | 500 in-lbs | 6 | OLS45572Z | LPBC42 |
| 420 | 3 | | | 1 | 1/2" Hex | 600kcmil - #4 | 500 in-lbs | | 1 | 1/2" Hex | 600kcmil - #4 | 500 in-lbs | 6 | OLS45573Z | LPBC43 |
| 510 | 3 | AL | | 2 | 5/16" Hex | 250kcmil - #6 | 275 in-lbs | | 2 | 5/16" Hex | 250kcmil - #6 | 275 in-lbs | 9 | OLS33203Z | OLCH1333Z |
| 620 | 1 | AL | | 2 | 5/16" Hex | 350kcmil - #4 | 275 in-lbs | | 2 | 5/16" Hex | 350kcmil - #4 | 275 in-lbs | 7 | OLS51291Z | LPBC51 |
| 620 | 2 | | | 2 | 5/16" Hex | 350kcmil - #4 | 275 in-lbs | | 2 | 5/16" Hex | 350kcmil - #4 | 275 in-lbs | 7 | OLS51292Z | LPBC52 |
| 620 | 3 | | | 2 | 5/16" Hex | 350kcmil - #4 | 275 in-lbs | | 2 | 5/16" Hex | 350kcmil - #4 | 275 in-lbs | 7 | OLS51293Z | LPBC53 |
| 760 | 1 | AL | | 2 | 3/8" Hex | 500kcmil - #4 | 375 in-lbs | | 2 | 3/8" Hex | 500kcmil - #4 | 375 in-lbs | 7 | OLS53011Z | LPBC51 |
| 760 | 2 | | | 2 | 3/8" Hex | 500kcmil - #4 | 375 in-lbs | | 2 | 3/8" Hex | 500kcmil - #4 | 375 in-lbs | 7 | OLS53012Z | LPBC52 |
| 760 | 3 | | | 2 | 3/8" Hex | 500kcmil - #4 | 375 in-lbs | | 2 | 3/8" Hex | 500kcmil - #4 | 375 in-lbs | 7 | OLS53013Z | LPBC53 |

Note: AL = Aluminum / CU = Copper

Note: *Covers sold separately

POWR-BLOKS

Distribution Block and Splicer Block Outline Drawings

Dimensions Inches (mm)

Figure 1

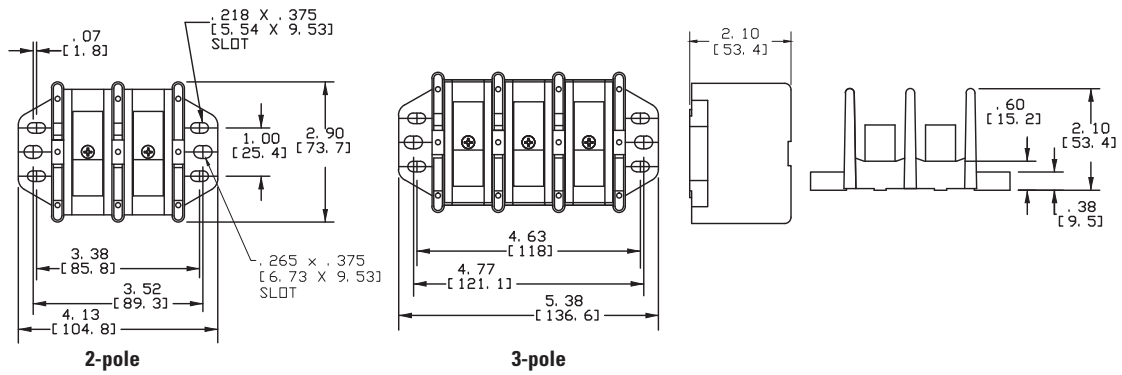


Figure 2

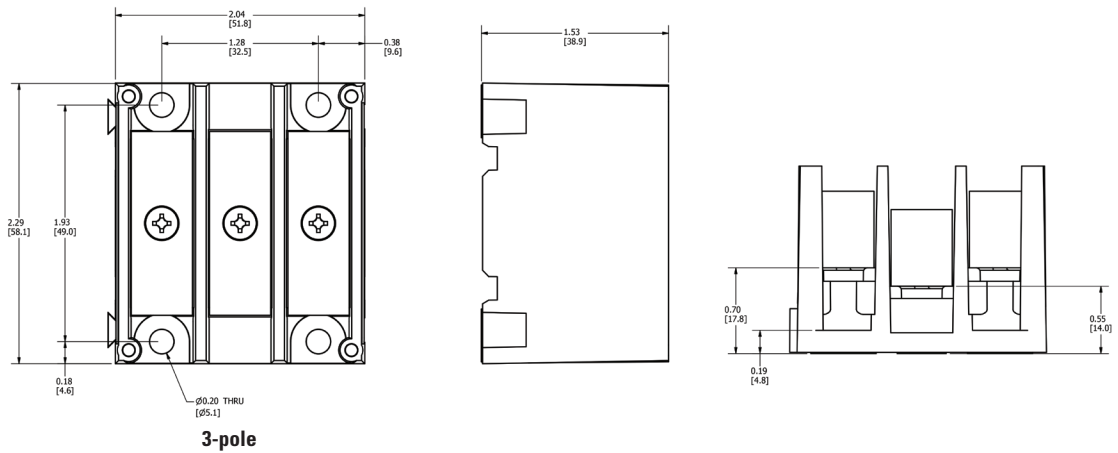
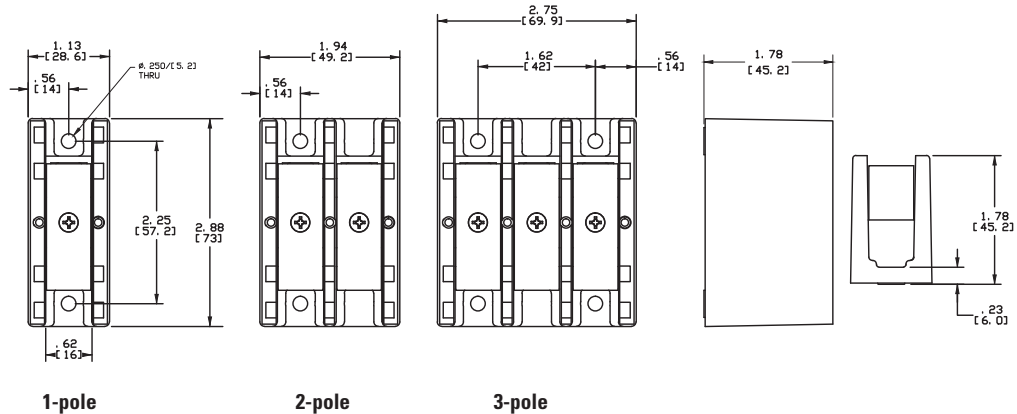


Figure 3



POWR-BLOKS

Distribution Block and Splicer Block Outline Drawings

Dimensions Inches (mm)

Figure 4

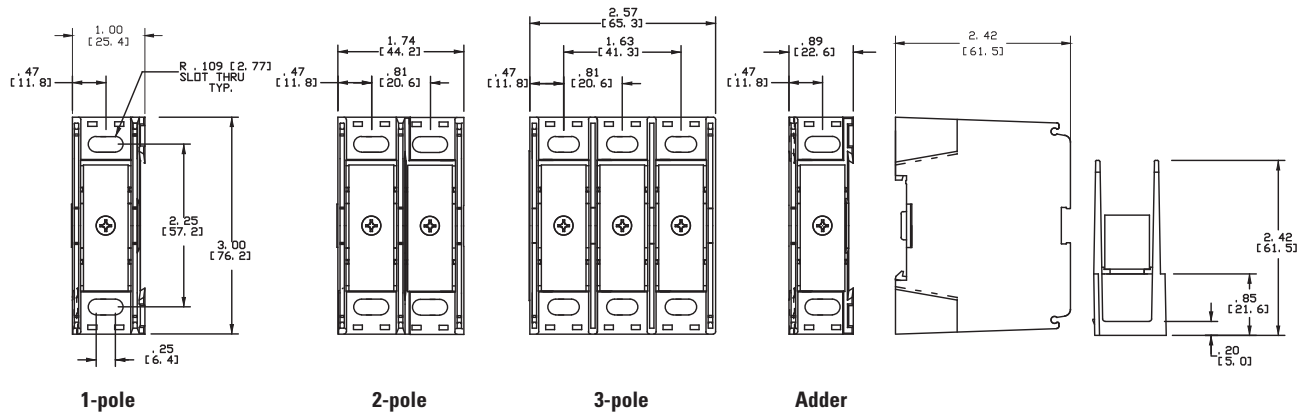


Figure 5

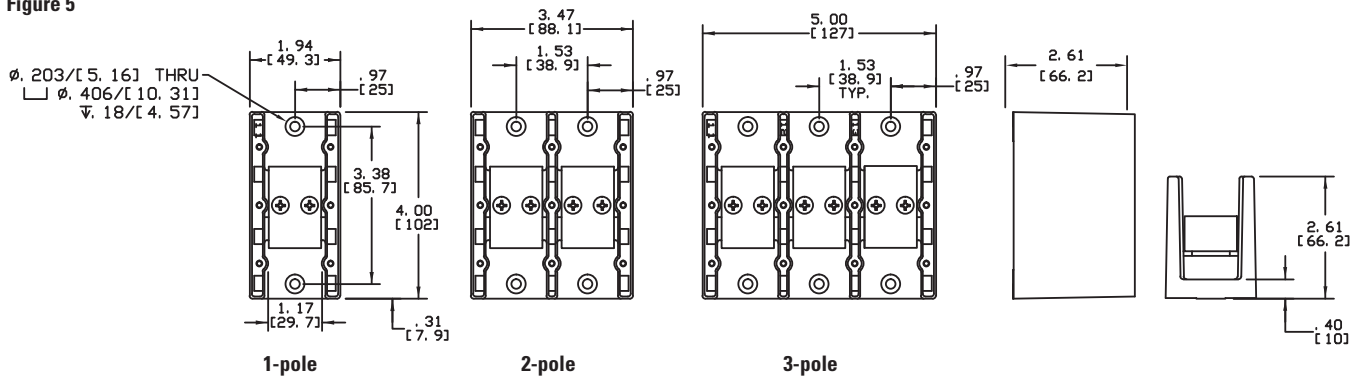
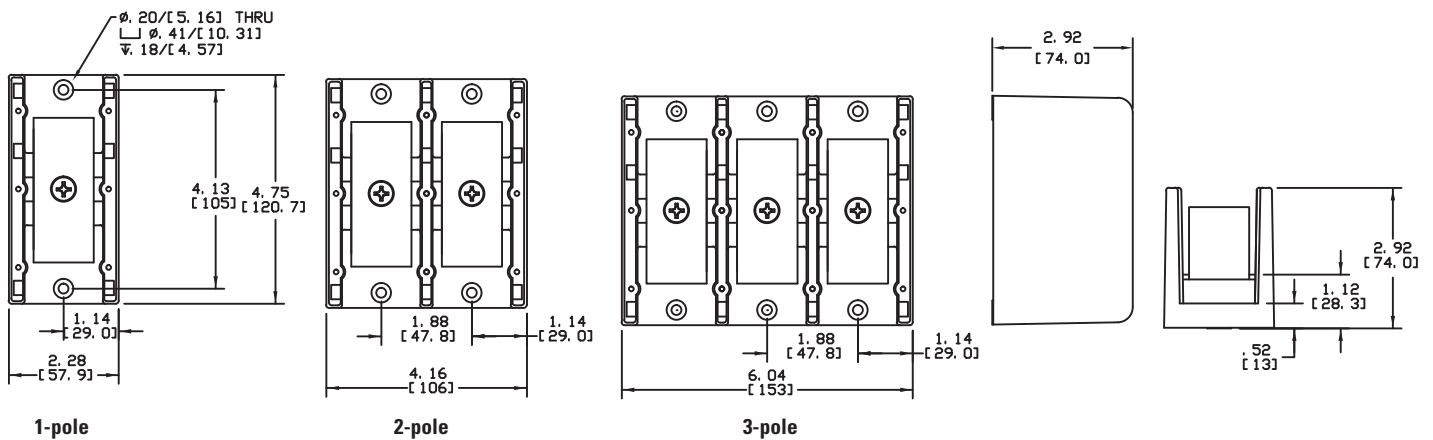


Figure 6



POWR-BLOKS

Distribution Block and Splicer Block Outline Drawings Dimensions Inches (mm)

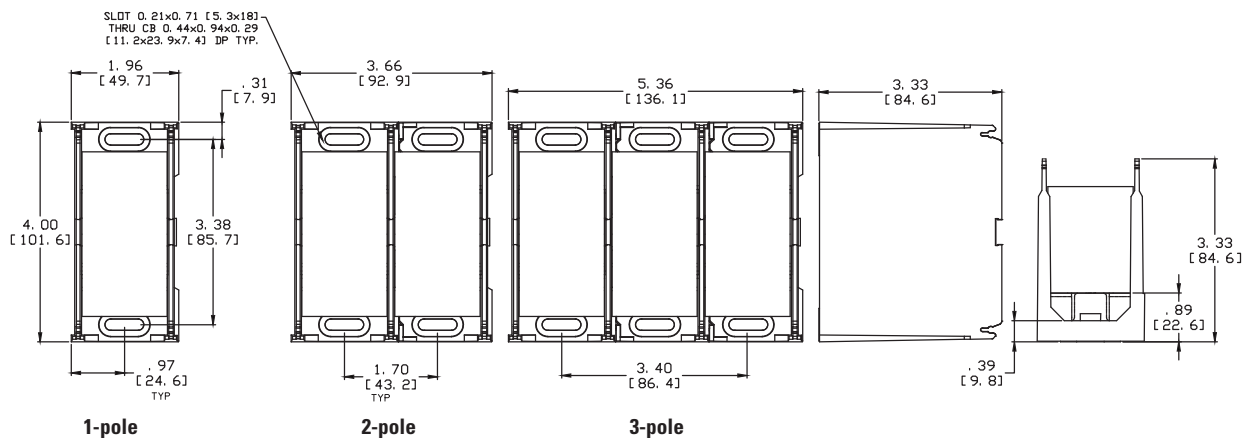
Figure 7



Figure 8



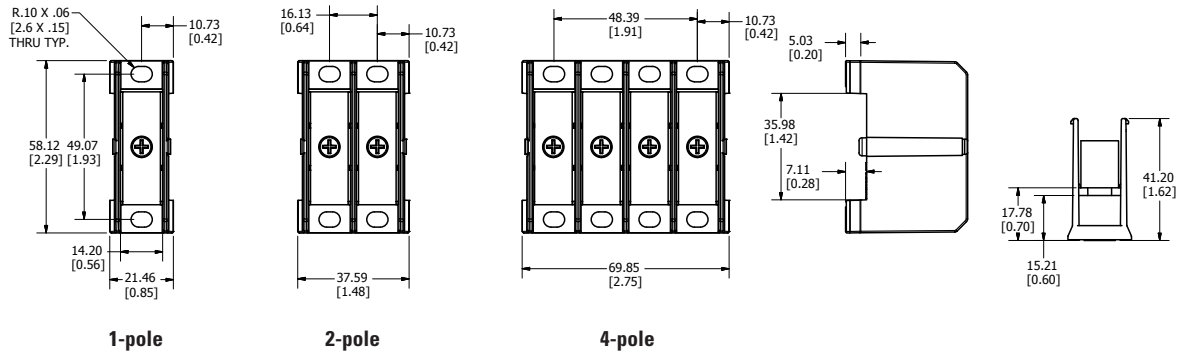
Figure 9



POWR-BLOKS

Distribution Block and Splicer Block Outline Drawings Dimensions Inches (mm)

Figure 10



Disclaimer Notice – Information furnished is believed to be accurate and reliable. However, users should independently evaluate the suitability of and test each product selected for their own applications. Littelfuse products are not designed for, and may not be used in, all applications. Read complete Disclaimer Notice at www.littelfuse.com/product-disclaimer.