



ESSENTIAL SERIES

GENERAL PURPOSE LED BULBS

KT-LED9.5PAR30-F-9XX

REPLACEMENT LAMP

DESCRIPTION

9.5W PAR30 Lamp | 2700–5000K |
 ≥90 CRI | Standard Long Neck Flood



LAMP TYPE: PAR30
BASE TYPE: E26 (Medium)
WATTAGE: 9.5W
COLOR TEMPERATURE: 2700–5000K
COLOR RENDERING INDEX (CRI): > 90
WARRANTY: 3 Years
RATED LIFE: L70 (25,000 Hours)



TYPICAL APPLICATIONS

- Track Lighting
- Display
- Flood and SpotLighting
- Outdoor fixtures (with suitable protection from the elements)

PRODUCT FEATURES

- Energy efficient, 80%+ energy savings over legacy equivalents
- Lower heat generation than legacy equivalents
- HiCRI LED's offer enhanced color rendering vs 80 CRI LED's, providing ideal clarity, representation, and uniformity of illuminated area/objects
- PF >0.90
- Complies with Part 15 of FCC
- Title 24 JA8 compliant (excluding 5000K lamps)
- Title 20 Compliant
- Operating temperature range –4°F/–20°C to 113°F/45°C
- Long Life minimizes replacement and maintenance costs
- ANSI compliant construction ensures fitment for intended applications
- Meets Energy Star requirements
- UL Listed
- Rated for use in damp and wet location
- Smooth, uniform dimming
- Precision crafted full face optics for precise beam angle control
- Durable Plastic housing lowers the risk for breakage
- Suitable for use in open, enclosed, and recessed fixtures

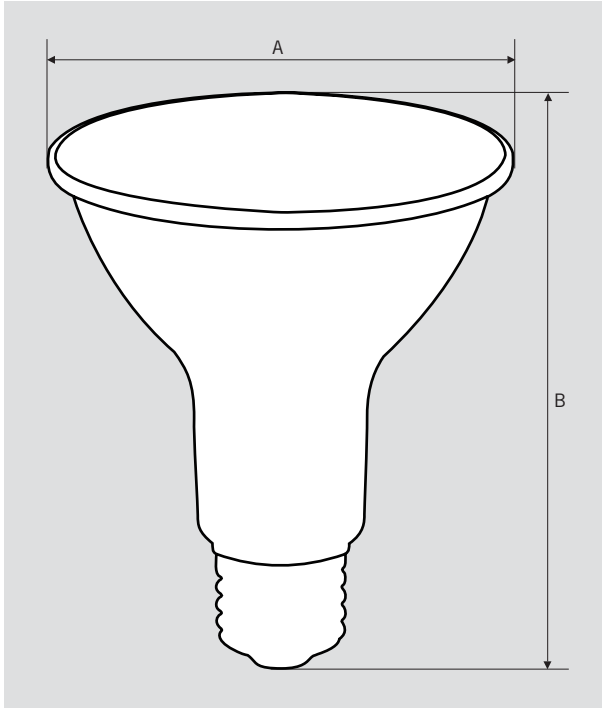
ELECTRICAL AND PERFORMANCE SPECIFICATIONS

Keystone Catalog Number	Description	Color Temp	Input Voltage	Rated Lamp Wattage	Legacy Equivalent Wattage	Base Type	Lumens	Energy Star CBCP	CRI	Light Distribution	Dimmable	Efficacy
KT-LED9.5PAR30-F-927	PAR30 bulb. Standard long neck flood, dimmable	2700K	120V	9.5W	75W halogen	E26	800	1688	≥90	40°	Yes	84 lm/W
KT-LED9.5PAR30-F-930	PAR30 bulb. Standard long neck flood, dimmable	3000K	120V	9.5W	75W halogen	E26	800	1659	≥90	40°	Yes	84 lm/W
KT-LED9.5PAR30-F-940	PAR30 bulb. Standard long neck flood, dimmable	4000K	120V	9.5W	75W halogen	E26	850	1933	≥90	40°	Yes	90 lm/W
KT-LED9.5PAR30-F-950	PAR30 bulb. Standard long neck flood, dimmable	5000K	120V	9.5W	75W halogen	E26	850	1915	≥90	40°	Yes	90 lm/W

KT-LED9.5PAR30-F-9XX

REPLACEMENT LAMP

PHYSICAL CHARACTERISTICS



LAMP DIMENSIONS

A (Diameter)	3.78"
B (Length)	4.49"

BASE TYPE: E26 (Medium)

PACKAGING

Carton Quantity	24 pcs
Carton Dimensions	17.13" × 12.80" × 11.81"
Carton Weight	13.5 lbs

ORDERING INFORMATION

ORDER CODE	CARTON QUANTITY	ENERGY STAR UNIQUE ID	EASY CODE	UPC
KT-LED9.5PAR30-F-927	24 pcs	2348814	KAC-79	843654124100
KT-LED9.5PAR30-F-930	24 pcs	2348815	CNL-86	843654124117
KT-LED9.5PAR30-F-940	24 pcs	2348816	BHA-79	843654125794
KT-LED9.5PAR30-F-950	24 pcs	2348817	BRL-67	843654125800

CATALOG NUMBER BREAKDOWN

KT-LED9.5PAR30-F-9XX

1 2 3 4 5 6 7

- 1 Keystone Technologies
- 2 LED Lamp
- 3 Wattage
- 4 Lamp Shape
- 5 Standard Flood
- 6 900 Series
- 7 Color Temperature



ESSENTIAL SERIES

GENERAL PURPOSE LED BULBS

KT-LED9.5PAR30-F-9XX

REPLACEMENT LAMP

DESCRIPTION

9.5W PAR30 Lamp | 2700–5000K |
 ≥90 CRI | Standard Long Neck Flood



LAMP TYPE: PAR30
BASE TYPE: E26 (Medium)
WATTAGE: 9.5W
COLOR TEMPERATURE: 2700–5000K
COLOR RENDERING INDEX (CRI): > 90
WARRANTY: 3 Years
RATED LIFE: L70 (25,000 Hours)



TYPICAL APPLICATIONS

- Track Lighting
- Display
- Flood and SpotLighting
- Outdoor fixtures (with suitable protection from the elements)

PRODUCT FEATURES

- Energy efficient, 80%+ energy savings over legacy equivalents
- Lower heat generation than legacy equivalents
- HiCRI LED's offer enhanced color rendering vs 80 CRI LED's, providing ideal clarity, representation, and uniformity of illuminated area/objects
- PF >0.90
- Complies with Part 15 of FCC
- Title 24 JA8 compliant (excluding 5000K lamps)
- Title 20 Compliant
- Operating temperature range –4°F/–20°C to 113°F/45°C
- Long Life minimizes replacement and maintenance costs
- ANSI compliant construction ensures fitment for intended applications
- Meets Energy Star requirements
- UL Listed
- Rated for use in damp and wet location
- Smooth, uniform dimming
- Precision crafted full face optics for precise beam angle control
- Durable Plastic housing lowers the risk for breakage
- Suitable for use in open, enclosed, and recessed fixtures

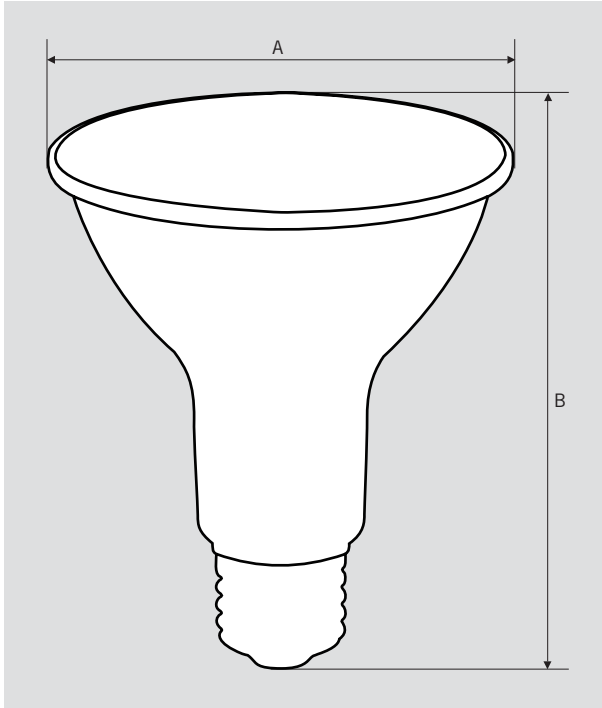
ELECTRICAL AND PERFORMANCE SPECIFICATIONS

Keystone Catalog Number	Description	Color Temp	Input Voltage	Rated Lamp Wattage	Legacy Equivalent Wattage	Base Type	Lumens	Energy Star CBCP	CRI	Light Distribution	Dimmable	Efficacy
KT-LED9.5PAR30-F-927	PAR30 bulb. Standard long neck flood, dimmable	2700K	120V	9.5W	75W halogen	E26	800	1688	≥90	40°	Yes	84 lm/W
KT-LED9.5PAR30-F-930	PAR30 bulb. Standard long neck flood, dimmable	3000K	120V	9.5W	75W halogen	E26	800	1659	≥90	40°	Yes	84 lm/W
KT-LED9.5PAR30-F-940	PAR30 bulb. Standard long neck flood, dimmable	4000K	120V	9.5W	75W halogen	E26	850	1933	≥90	40°	Yes	90 lm/W
KT-LED9.5PAR30-F-950	PAR30 bulb. Standard long neck flood, dimmable	5000K	120V	9.5W	75W halogen	E26	850	1915	≥90	40°	Yes	90 lm/W

KT-LED9.5PAR30-F-9XX

REPLACEMENT LAMP

PHYSICAL CHARACTERISTICS



LAMP DIMENSIONS

A (Diameter)	3.78"
B (Length)	4.49"

BASE TYPE: E26 (Medium)

PACKAGING

Carton Quantity	24 pcs
Carton Dimensions	17.13" × 12.80" × 11.81"
Carton Weight	13.5 lbs

ORDERING INFORMATION

ORDER CODE	CARTON QUANTITY	ENERGY STAR UNIQUE ID	EASY CODE	UPC
KT-LED9.5PAR30-F-927	24 pcs	2348814	KAC-79	843654124100
KT-LED9.5PAR30-F-930	24 pcs	2348815	CNL-86	843654124117
KT-LED9.5PAR30-F-940	24 pcs	2348816	BHA-79	843654125794
KT-LED9.5PAR30-F-950	24 pcs	2348817	BRL-67	843654125800

CATALOG NUMBER BREAKDOWN

KT-LED9.5PAR30-F-9XX

1 2 3 4 5 6 7

- 1 Keystone Technologies
- 2 LED Lamp
- 3 Wattage
- 4 Lamp Shape
- 5 Standard Flood
- 6 900 Series
- 7 Color Temperature