



ESSENTIAL SERIES

GENERAL PURPOSE LED BULBS

KT-LED6PAR20-F-9XX

REPLACEMENT LAMP

DESCRIPTION

6W PAR20 Lamp | 2700–5000K | >90 CRI | Standard Flood



LAMP TYPE: PAR20
BASE TYPE: E26 (Medium)
WATTAGE: 6W
COLOR TEMPERATURE: 2700–5000K
COLOR RENDERING INDEX (CRI): >90
WARRANTY: 3 Years
RATED LIFE: L70 (25,000 Hours)



TYPICAL APPLICATIONS

- Track-lighting
- Display
- Flood- and spot-lighting
- Outdoor fixtures

PRODUCT FEATURES

- Energy efficient, 80%+ energy savings over legacy equivalents
- Lower heat generation than legacy equivalents
- Smooth, uniform dimming
- HiCRI LEDs offer enhanced color rendering vs. 80 CRI LEDs, providing ideal clarity, representation, uniformity of illuminated area/objects
- Precision-crafted, full-face optics for precise beam angle control
- Durable plastic housing lowers the risk for breakage
- Long life minimizes replacement and maintenance costs
- Rated for use in damp and wet locations
- Operating temperature range –4°F/–20°C to 113°F/45°C
- PF >0.90
- ANSI compliant construction ensures fitment for intended applications
- UL Listed
- Meets Energy Star requirements
- Complies with Part 15 of FCC
- Title 20 compliant
- Title 24 JA8 compliant (excluding 5000K lamps)
- Suitable for use in open, enclosed, and recessed fixtures

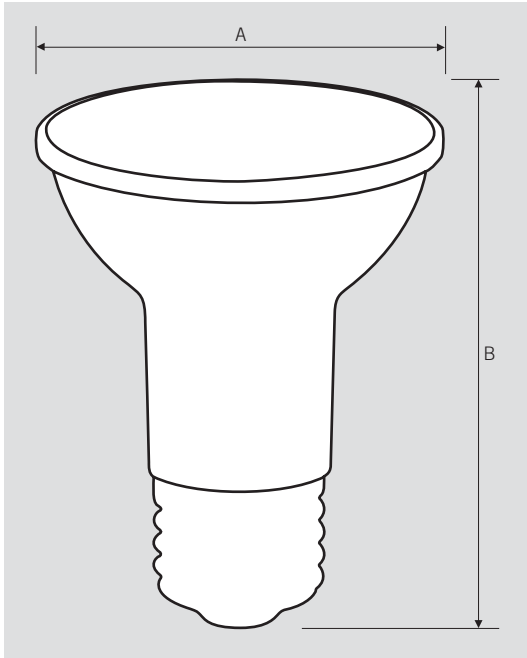
ELECTRICAL AND PERFORMANCE SPECIFICATIONS

Keystone Catalog Number	Description	Color Temp	Input Voltage	Rated Lamp Wattage	Legacy Equivalent Wattage	Base Type	Lumens	Energy Star CBCEP	CRI	Beam Angle	Dimmable	Efficacy
KT-LED6PAR20-F-927	PAR20 bulb. Standard flood, Dimmable	2700K	120V	6W	50W halogen	E26	500 lm	770	>90	40°	Yes	83 lm/W
KT-LED6PAR20-F-930	PAR20 bulb. Standard flood, Dimmable	3000K	120V	6W	50W halogen	E26	500 lm	730	>90	40°	Yes	83 lm/W
KT-LED6PAR20-F-940	PAR20 bulb. Standard flood, Dimmable	4000K	120V	6W	50W halogen	E26	525 lm	960	>90	40°	Yes	88 lm/W
KT-LED6PAR20-F-950	PAR20 bulb. Standard flood, Dimmable	5000K	120V	6W	50W halogen	E26	525 lm	780	>90	40°	Yes	88 lm/W

KT-LED6PAR20-F-9XX

REPLACEMENT LAMP

PHYSICAL CHARACTERISTICS



LAMP DIMENSIONS

A (Diameter)	2.52"
B (Length)	3.23"

BASE TYPE: E26 (Medium)

PACKAGING

Carton Quantity	24 pcs
Carton Dimensions	12.01" × 9.06" × 9.45"
Carton Weight	6.59 lbs

ORDERING INFORMATION

ORDER CODE	CARTON QUANTITY	ENERGY STAR UNIQUE ID	EASY CODE	UPC
KT-LED6PAR20-F-927	24 pcs	2348802	JGP-40	843654125855
KT-LED6PAR20-F-930	24 pcs	2348803	CLT-34	843654125862
KT-LED6PAR20-F-940	24 pcs	2348804	MBC-12	843654125879
KT-LED6PAR20-F-950	24 pcs	2348805	REC-63	843654125886

CATALOG NUMBER BREAKDOWN

KT-LED6PAR20-F-9XX

1 2 3 4 5 6 7

- 1 Keystone Technologies
- 2 LED Lamp
- 3 Wattage
- 4 Lamp Shape
- 5 Standard Flood
- 6 900 Series
- 7 Color Temperature



ESSENTIAL SERIES

GENERAL PURPOSE LED BULBS

KT-LED6PAR20-F-9XX

REPLACEMENT LAMP

DESCRIPTION

6W PAR20 Lamp | 2700–5000K | >90 CRI | Standard Flood



Enclosed
Fixture Rated



RoHS
Compliant

3 YEAR
WARRANTY

LAMP TYPE: PAR20

BASE TYPE: E26 (Medium)

WATTAGE: 6W

COLOR TEMPERATURE: 2700–5000K

COLOR RENDERING INDEX (CRI): >90

WARRANTY: 3 Years

RATED LIFE: L70 (25,000 Hours)



TYPICAL APPLICATIONS

- Track-lighting
- Display
- Flood- and spot-lighting
- Outdoor fixtures

PRODUCT FEATURES

- Energy efficient, 80%+ energy savings over legacy equivalents
- Lower heat generation than legacy equivalents
- Smooth, uniform dimming
- HiCRI LEDs offer enhanced color rendering vs. 80 CRI LEDs, providing ideal clarity, representation, uniformity of illuminated area/objects
- Precision-crafted, full-face optics for precise beam angle control
- Durable plastic housing lowers the risk for breakage
- Long life minimizes replacement and maintenance costs
- Rated for use in damp and wet locations
- Operating temperature range –4°F/–20°C to 113°F/45°C
- PF >0.90
- ANSI compliant construction ensures fitment for intended applications
- UL Listed
- Meets Energy Star requirements
- Complies with Part 15 of FCC
- Title 20 compliant
- Title 24 JA8 compliant (excluding 5000K lamps)
- Suitable for use in open, enclosed, and recessed fixtures

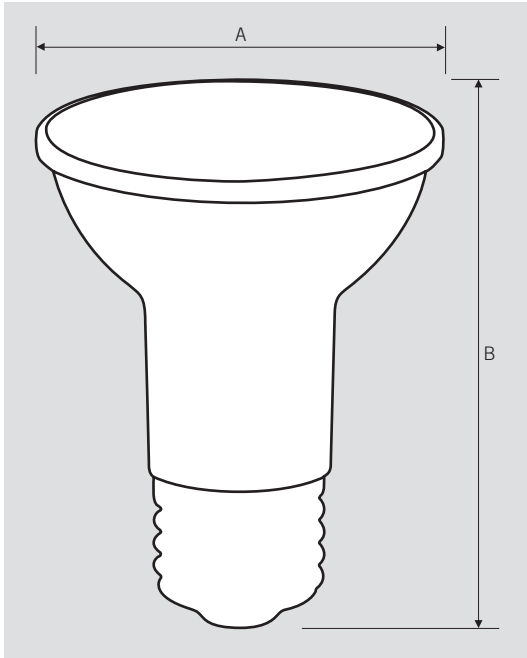
ELECTRICAL AND PERFORMANCE SPECIFICATIONS

Keystone Catalog Number	Description	Color Temp	Input Voltage	Rated Lamp Wattage	Legacy Equivalent Wattage	Base Type	Lumens	Energy Star CBCP	CRI	Beam Angle	Dimmable	Efficacy
KT-LED6PAR20-F-927	PAR20 bulb. Standard flood, Dimmable	2700K	120V	6W	50W halogen	E26	500 lm	770	>90	40°	Yes	83 lm/W
KT-LED6PAR20-F-930	PAR20 bulb. Standard flood, Dimmable	3000K	120V	6W	50W halogen	E26	500 lm	730	>90	40°	Yes	83 lm/W
KT-LED6PAR20-F-940	PAR20 bulb. Standard flood, Dimmable	4000K	120V	6W	50W halogen	E26	525 lm	960	>90	40°	Yes	88 lm/W
KT-LED6PAR20-F-950	PAR20 bulb. Standard flood, Dimmable	5000K	120V	6W	50W halogen	E26	525 lm	780	>90	40°	Yes	88 lm/W

KT-LED6PAR20-F-9XX

REPLACEMENT LAMP

PHYSICAL CHARACTERISTICS



LAMP DIMENSIONS

A (Diameter)	2.52"
B (Length)	3.23"

BASE TYPE: E26 (Medium)

PACKAGING

Carton Quantity	24 pcs
Carton Dimensions	12.01" × 9.06" × 9.45"
Carton Weight	6.59 lbs

ORDERING INFORMATION

ORDER CODE	CARTON QUANTITY	ENERGY STAR UNIQUE ID	EASY CODE	UPC
KT-LED6PAR20-F-927	24 pcs	2348802	JGP-40	843654125855
KT-LED6PAR20-F-930	24 pcs	2348803	CLT-34	843654125862
KT-LED6PAR20-F-940	24 pcs	2348804	MBC-12	843654125879
KT-LED6PAR20-F-950	24 pcs	2348805	REC-63	843654125886

CATALOG NUMBER BREAKDOWN

KT-LED6PAR20-F-9XX

1 2 3 4 5 6 7

- 1 Keystone Technologies
- 2 LED Lamp
- 3 Wattage
- 4 Lamp Shape
- 5 Standard Flood
- 6 900 Series
- 7 Color Temperature