

Standard

STANDARD MAG BALLAST (1) F20T12 PH 120V

Available for many fluorescent lamp types sold today, including Preheat, Rapid Start, 2-pin CFL, Slimline, High Output, Very High Output and Circline. Magnetic ballasts can be used in any application where these lamps are used.

Product data

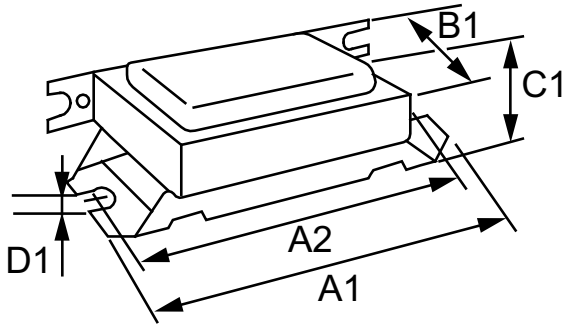
General Information		Rated Lamp Watts	
Lamp Type	F20T12		20W W
Number of Lamps	1 piece/unit		
Lamp Footage	-		
Ballast Type	Magnetic Fluorescent		
Base Model	LC1420C		
Suitable For Outdoor Use	Yes		
Automatic Restart	Yes		
Operating and Electrical		Wiring	
Input Voltage	120 V	Wire Striplength	0.50/0.375 mm
Input Frequency	60 Hz	Lamp Connection	Series
Max THD	10 %	Wire Length By Color	See data sheet
Power (Rated) (Nom)	20 W	Wire Gauge (Nom)	18AWG mm
Starting Method	Preheat	Wire Type	Solid
Lamp Current Crest Factor (Nom)	1.5	Remote Wiring Configuration Allowed	Yes
Ignition Time (Nom)	1 s	Tandem Wiring Configuration Allowed	No
Inp. Current (Open Circuit)	0	Through Wiring Configuration Allowed	No
Input Current (Starting)	0.36	Max Ballast-Lamp Distance Remote Wiring	30'
Ballast Factor (Nom)	0.93	Max Ballast-Lamp Distance Tandem Wiring	-
Power Factor (Nom)	0.52	Max Ballast-Lamp Distance Through Wiring	-
Input Current (Operating) (Nom)	0.33 A		
Input Power (Nom)	21 W		
		Mechanical and Housing	
		Housing Material	Metal
		Housing	C2
		Housing Dimensions	1.06" x 1.59" x 1.81"
		Approval and Application	
		EMC Immunity Standard	FCC Non-Consumer
		Sound Rating	A

Standard

UL Recognized	No
Product Data	
Order product name	STANDARD LC1420CI
EAN/UPC - Product	781087101308
Order code	LC1420CI
Local order code	196584

Numerator - Quantity Per Pack	1
Numerator - Packs per outer box	12
Material Nr. (12NC)	913710305701
Net Weight (Piece)	0.350 kg

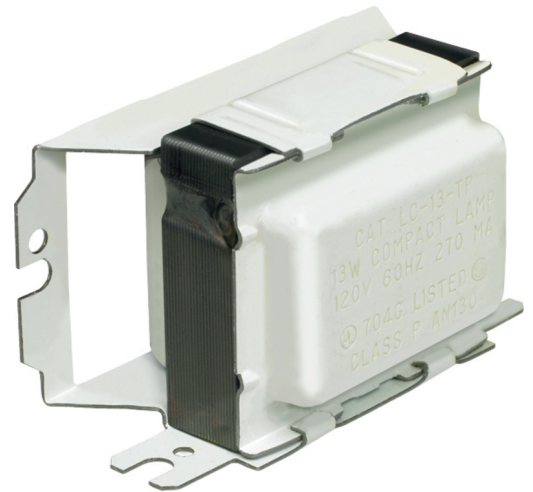
Dimensional drawing



Product	A1	A2	B1	C1	D1
STANDARD LC1420CI	3.06 in	2.75 in	1.81 in	1.59 in	0.19 in

MAG BALLAST (1) F20T12 PH 120V





Standard

STANDARD MAG BALLAST (1) F20T12 PH 120V

Available for many fluorescent lamp types sold today, including Preheat, Rapid Start, 2-pin CFL, Slimline, High Output, Very High Output and Circline. Magnetic ballasts can be used in any application where these lamps are used.

Product data

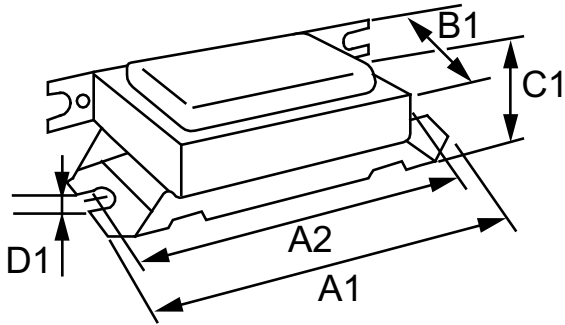
General Information		Rated Lamp Watts	
Lamp Type	F20T12	20W W	
Number of Lamps	1 piece/unit	Wiring	
Lamp Footage	-	Wire Striplength	0.50/0.375 mm
Ballast Type	Magnetic Fluorescent	Lamp Connection	Series
Base Model	LC1420C	Wire Length By Color	See data sheet
Suitable For Outdoor Use	Yes	Wire Gauge (Nom)	18AWG mm
Automatic Restart	Yes	Wire Type	Solid
Operating and Electrical		Remote Wiring Configuration Allowed	Yes
Input Voltage	120 V	Tandem Wiring Configuration Allowed	No
Input Frequency	60 Hz	Through Wiring Configuration Allowed	No
Max THD	10 %	Max Ballast-Lamp Distance Remote Wiring	30'
Power (Rated) (Nom)	20 W	Max Ballast-Lamp Distance Tandem Wiring	-
Starting Method	Preheat	Max Ballast-Lamp Distance Through Wiring	-
Lamp Current Crest Factor (Nom)	1.5	Mechanical and Housing	
Ignition Time (Nom)	1 s	Housing Material	Metal
Inp. Current (Open Circuit)	0	Housing	C2
Input Current (Starting)	0.36	Housing Dimensions	1.06" x 1.59" x 1.81"
Ballast Factor (Nom)	0.93	Approval and Application	
Power Factor (Nom)	0.52	EMC Immunity Standard	FCC Non-Consumer
Input Current (Operating) (Nom)	0.33 A	Sound Rating	A
Input Power (Nom)	21 W		

Standard

UL Recognized	No
Product Data	
Order product name	STANDARD LC1420CI
EAN/UPC - Product	781087101308
Order code	LC1420CI
Local order code	196584

Numerator - Quantity Per Pack	1
Numerator - Packs per outer box	12
Material Nr. (12NC)	913710305701
Net Weight (Piece)	0.350 kg

Dimensional drawing



Product	A1	A2	B1	C1	D1
STANDARD LC1420CI	3.06 in	2.75 in	1.81 in	1.59 in	0.19 in

MAG BALLAST (1) F20T12 PH 120V

