

# L34 Ultra-Economy, Linear High Bay



PROJECT:

DATE:

TYPE:

PREPARED BY:



Ultra-economy, linear high bay with adjustable fold-up wings



0-10V



50,000  
HOURS



EASY  
INSTALL



DAMP  
RATED

## KEY FEATURES

**Ultra-economy, light weight, with innovative fold-up design**

Includes paracords that can lock lens in 5 different angles for adjustable light output

Available in 100W (12,000lm) & 160W (20,000lm)

## TECHNICAL SPECIFICATIONS

### ELECTRICAL

#### Drivers:

Constant Current, Class 2, Class P, 120-277V, 50/60 Hz,  
100W: 120V: 0.92A, 208V: 0.53A, 240V: 0.46A, 277V: 0.40A  
160W: 120V: 1.50A, 208V: 0.87A, 240V: 0.75A, 277V: 0.65A

#### Dimming Driver:

Driver includes dimming control wiring for 0-10V dimming systems. Requires separate 0-10V DC dimming circuit. Dims down to 10%

#### THD:

100W : 6.48% at 120V, 8.9% at 277V  
160W : 6.55% at 120V, 13.3% at 277V

#### Power Factor:

100W : 99.7% at 120V, 97.2% at 277V  
160W : 99.8% at 120V, 94.2% at 277V

#### Surge Protection

2.5kV

### LED CHARACTERISTICS

#### LEDs

Long-life, high-efficacy, discrete, surface-mount LEDs

#### Color Consistency

7-step MacAdam Ellipse binning to achieve consistent fixture-to-fixture color

#### Color Uniformity

RAB's range of Correlated Color Temperature follows the guidelines of the American National Standard for Specifications for the Chromaticity of Solid State Lighting (SSL) Products, ANSI C78.377-2017.

### COMPLIANCE

#### UL Listed

Suitable for damp locations

#### DLC Listed

This product is on the Design Lights Consortium (DLC) Qualified Products List and is eligible for rebates from DLC Member Utilities. Designed to meet DLC 5.1 requirements.

DLC Product Code: PTF2Z278V (100W)

DLC Product Code: PVWC2J26 (160W)

### CONSTRUCTION

#### Cold Weather Starting

The minimum starting temperature is -20°C (-4°F)

#### Maximum Ambient Temperature

Suitable for use in up to 50°C (122°F)

#### Mounting

V hooks and optional pendant mounting (pendent by others)

#### Housing

Polycarbonate and ABS (PC/ABS)

#### Green Technology

Mercury and UV free. RoHS-compliant components

#### Finish

Formulated for high durability and long lasting color

### PERFORMANCE

#### Lifespan

50,000-Hour LED lifespan based on IES LM-80 results and TM-21 calculations

#### Tilt Angle

##### 100W:

0° - 100.5W; 13534 lumens  
15° - 100.4W; 13601 lumens  
27° - 100.3W; 13630 lumens  
39° - 100.4W; 13646 lumens  
50° - 100.2W; 13617 lumens

##### 160W:

0° - 158.6W; 20996 lumens  
15° - 158W; 20754 lumens  
27° - 158.4W; 20977 lumens  
39° - 156.6W; 20946 lumens  
50° - 159.1W; 21077 lumens

# L34 Ultra-Economy, Linear High Bay

## TECHNICAL SPECIFICATIONS

### OTHER

#### Warranty

The RAB 5-year, limited warranty covers light output, driver performance and paint finish. RAB's warranty is subject to all terms and conditions found at [rablighting.com/warranty](http://rablighting.com/warranty).

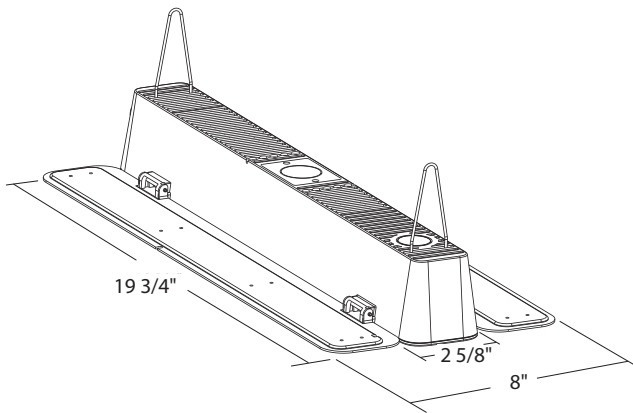
#### Buy American Act Compliance:

RAB values USA manufacturing! Upon request, RAB may be able to manufacture this product to be compliant with the BUY American Act (BAA). Please contact customer service to request a quote for the product to be made BAA compliant.

### DIMENSIONS

L34 100W - Weight: 4.8 lbs

L34 160W - Weight: 6 lbs



### PERFORMANCE

L34 100W	5000K
LUMENS	13,534
INPUT WATTS	100.5
LM/W	134
CRI	85

L34 160W	5000K
LUMENS	20,996
INPUT WATTS	158.6
LM/W	132
CRI	86

## ORDERING MATRIX

### L34

Family	Wattage	
L34	-	<input type="text"/>
		110 = 100W
		180 = 160W

# L34 Ultra-Economy, Linear High Bay



PROJECT:

DATE:

TYPE:

PREPARED BY:



Ultra-economy, linear high bay with adjustable fold-up wings



0-10V



50,000  
HOURS



EASY  
INSTALL



DAMP  
RATED

## KEY FEATURES

**Ultra-economy, light weight, with innovative fold-up design**

Includes paracords that can lock lens in 5 different angles for adjustable light output

Available in **100W (12,000lm)** & **160W (20,000lm)**

## TECHNICAL SPECIFICATIONS

### ELECTRICAL

#### Drivers:

Constant Current, Class 2, Class P, 120-277V, 50/60 Hz,  
100W: 120V: 0.92A, 208V: 0.53A, 240V: 0.46A, 277V: 0.40A  
160W: 120V: 1.50A, 208V: 0.87A, 240V: 0.75A, 277V: 0.65A

#### Dimming Driver:

Driver includes dimming control wiring for 0-10V dimming systems. Requires separate 0-10V DC dimming circuit. Dims down to 10%

#### THD:

100W : 6.48% at 120V, 8.9% at 277V  
160W : 6.55% at 120V, 13.3% at 277V

#### Power Factor:

100W : 99.7% at 120V, 97.2% at 277V  
160W : 99.8% at 120V, 94.2% at 277V

#### Surge Protection

2.5kV

### LED CHARACTERISTICS

#### LEDs

Long-life, high-efficacy, discrete, surface-mount LEDs

#### Color Consistency

7-step MacAdam Ellipse binning to achieve consistent fixture-to-fixture color

#### Color Uniformity

RAB's range of Correlated Color Temperature follows the guidelines of the American National Standard for Specifications for the Chromaticity of Solid State Lighting (SSL) Products, ANSI C78.377-2017.

### COMPLIANCE

#### UL Listed

Suitable for damp locations

#### DLC Listed

This product is on the Design Lights Consortium (DLC) Qualified Products List and is eligible for rebates from DLC Member Utilities. Designed to meet DLC 5.1 requirements.

DLC Product Code: PTF2Z278V (100W)

DLC Product Code: PVWC2J26 (160W)

### CONSTRUCTION

#### Cold Weather Starting

The minimum starting temperature is -20°C (-4°F)

#### Maximum Ambient Temperature

Suitable for use in up to 50°C (122°F)

#### Mounting

V hooks and optional pendant mounting (pendent by others)

#### Housing

Polycarbonate and ABS (PC/ABS)

#### Green Technology

Mercury and UV free. RoHS-compliant components

#### Finish

Formulated for high durability and long lasting color

### PERFORMANCE

#### Lifespan

50,000-Hour LED lifespan based on IES LM-80 results and TM-21 calculations

#### Tilt Angle

##### 100W:

0° - 100.5W; 13534 lumens  
15° - 100.4W; 13601 lumens  
27° - 100.3W; 13630 lumens  
39° - 100.4W; 13646 lumens  
50° - 100.2W; 13617 lumens

##### 160W:

0° - 158.6W; 20996 lumens  
15° - 158W; 20754 lumens  
27° - 158.4W; 20977 lumens  
39° - 156.6W; 20946 lumens  
50° - 159.1W; 21077 lumens

# L34 Ultra-Economy, Linear High Bay

## TECHNICAL SPECIFICATIONS

### OTHER

#### Warranty

The RAB 5-year, limited warranty covers light output, driver performance and paint finish. RAB's warranty is subject to all terms and conditions found at [rablighting.com/warranty](http://rablighting.com/warranty).

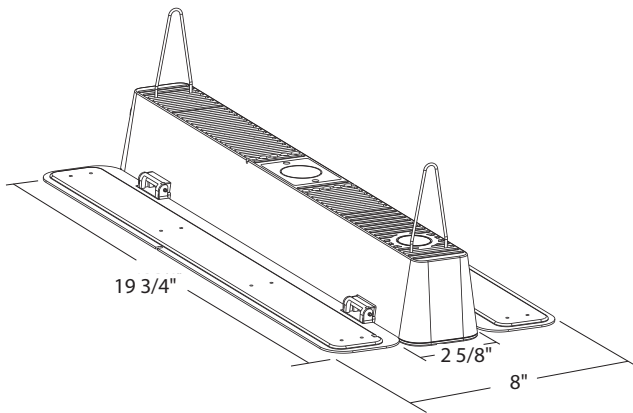
#### Buy American Act Compliance:

RAB values USA manufacturing! Upon request, RAB may be able to manufacture this product to be compliant with the BUY American Act (BAA). Please contact customer service to request a quote for the product to be made BAA compliant.

### DIMENSIONS

L34 100W - Weight: 4.8 lbs

L34 160W - Weight: 6 lbs



### PERFORMANCE

L34 100W	5000K
LUMENS	13,534
INPUT WATTS	100.5
LM/W	134
CRI	85

L34 160W	5000K
LUMENS	20,996
INPUT WATTS	158.6
LM/W	132
CRI	86

## ORDERING MATRIX

### L34

Family	Wattage	
L34	-	

110 = 100W

180 = 160W