

KT-LED14PSRD-6XX-9CSF-DIM-X

5" / 6" DOWNLIGHT RETROFIT TRIM

DESCRIPTION

5" / 6" Downlight Retrofit Trim | Power Select Technology | Color Select Technology | Quick-Disconnect E26 Base

APPLICATION

Ideal for residential, hospitality, retail, and other retrofit and new construction applications



PRODUCT FEATURES

- Keystone Power Select technology (See Performance Specifications for details)
- Keystone Color Select technology (2700/3000/3500/4000/5000K)
- Includes quick-disconnect E26 base adaptor for easy, screw-in install
- Improved aesthetics vs legacy trims
- Ideal for retrofit and remodel applications
- Smooth and baffled trims available
- Diffused lens for visual comfort and reduced glare
- Smooth, uniform dimming
- Suitable for use in wet locations
- Suitable for use in 5" / 6" recessed cans
- PF > 0.98
- Operating temperature range: -4°F/-20°C to 95°F/35°C
- ETL Classified Luminaire
- ETL Classified Retrofit Kit
- T20/T24/JA8 compliant
- Complies with Part 15 of FCC

PRODUCT IMAGES



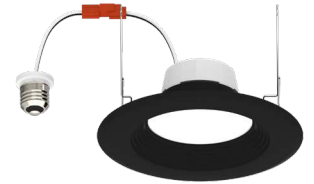
KT-LED14PSRD-6C-9CSF-DIM



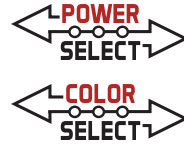
KT-LED14PSRD-6C-9CSF-DIM-B



KT-LED14PSRD-6CB-9CSF-DIM



KT-LED14PSRD-6CB-9CSF-DIM-B



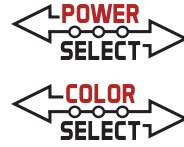
KT-LED14PSRD-6XX-9CSF-DIM-X

5" / 6" DOWNLIGHT RETROFIT TRIM

PERFORMANCE SPECIFICATIONS - WHITE TRIM COLOR

Catalog Number	Input Voltage	Wattage (Selectable)	CCT (Selectable)*	Lumen Output	Efficacy	CRI	Power Factor	Beam Angle	Style
KT-LED14PSRD-6C-9CSF-DIM	120V	14W	2700K	1300	93 lm/W	> 90	> 0.9	90°	Smooth
			3000K	1330	95 lm/W				
			3500K	1380	99 lm/W				
			4000K	1380	99 lm/W				
			5000K	1330	95 lm/W				
		10W	2700K	1050	105 lm/W				
			3000K	1080	108 lm/W				
			3500K	1110	111 lm/W				
			4000K	1110	111 lm/W				
			5000K	1080	108 lm/W				
		8W	2700K	750	94 lm/W				
			3000K	770	96 lm/W				
			3500K	790	99 lm/W				
			4000K	790	99 lm/W				
			5000K	770	96 lm/W				
KT-LED14PSRD-6CB-9CSF-DIM	120V	14W	2700K	1300	93 lm/W	> 80	> 0.9	90°	Baffled
			3000K	1330	95 lm/W				
			3500K	1380	99 lm/W				
			4000K	1380	99 lm/W				
			5000K	1330	95 lm/W				
		10W	2700K	1050	105 lm/W				
			3000K	1080	108 lm/W				
			3500K	1110	111 lm/W				
			4000K	1110	111 lm/W				
			5000K	1080	108 lm/W				
		8W	2700K	750	94 lm/W				
			3000K	770	96 lm/W				
			3500K	790	99 lm/W				
			4000K	790	99 lm/W				
			5000K	770	96 lm/W				

* Preset to lowest CCT: 2700K
 Color Uniformity: CCT (Correlated Color Temperature) range as per guidelines outlined in ANSI C78.377-2017



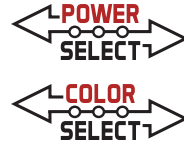
KT-LED14PSRD-6XX-9CSF-DIM-X

5" / 6" DOWNLIGHT RETROFIT TRIM

PERFORMANCE SPECIFICATIONS - BLACK TRIM COLOR

Catalog Number	Input Voltage	Wattage (Selectable)	CCT (Selectable)*	Lumen Output	Efficacy	CRI	Power Factor	Beam Angle	Style
KT-LED14PSRD-6C-9CSF-DIM-B	120V	14W	2700K	1220	87 lm/W	> 90	> 0.9	90°	Smooth
			3000K	1240	89 lm/W				
			3500K	1260	90 lm/W				
			4000K	1260	90 lm/W				
			5000K	1240	89 lm/W				
		10W	2700K	920	92 lm/W				
			3000K	940	94 lm/W				
			3500K	960	96 lm/W				
			4000K	960	96 lm/W				
			5000K	940	94 lm/W				
		8W	2700K	760	95 lm/W				
			3000K	780	98 lm/W				
			3500K	800	100 lm/W				
			4000K	800	100 lm/W				
			5000K	780	98 lm/W				
KT-LED14PSRD-6CB-9CSF-DIM-B	120V	14W	2700K	1200	86 lm/W	> 80	> 0.9	90°	Baffled
			3000K	1220	87 lm/W				
			3500K	1240	89 lm/W				
			4000K	1240	89 lm/W				
			5000K	1220	87 lm/W				
		10W	2700K	900	90 lm/W				
			3000K	920	92 lm/W				
			3500K	940	94 lm/W				
			4000K	940	94 lm/W				
			5000K	920	92 lm/W				
		8W	2700K	750	94 lm/W				
			3000K	770	96 lm/W				
			3500K	790	99 lm/W				
			4000K	790	99 lm/W				
			5000K	770	96 lm/W				

* Preset to lowest CCT: 2700K
 Color Uniformity: CCT (Correlated Color Temperature) range as per guidelines outlined in ANSI C78.377-2017



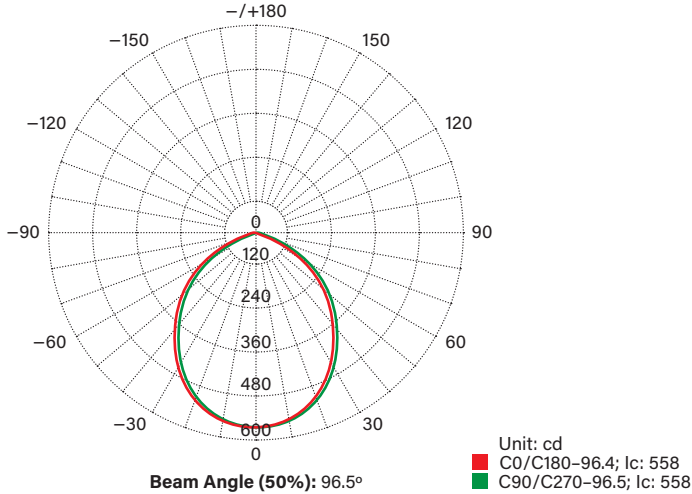
KT-LED14PSRD-6XX-9CSF-DIM-X

5" / 6" DOWNLIGHT RETROFIT TRIM

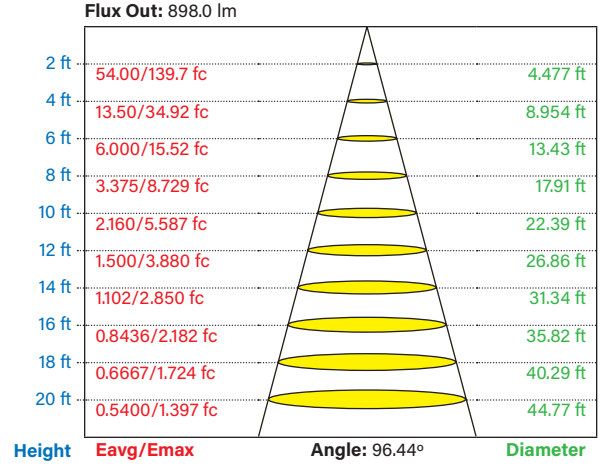
PHOTOMETRIC SPECIFICATIONS

KT-LED14PSRD-6C-9CSF-DIM

POLAR CANDELA DISTRIBUTION



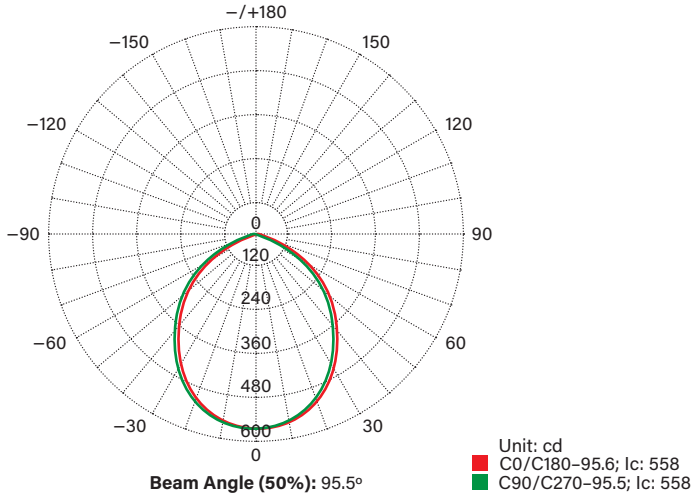
LUX DISTANCE CURVE



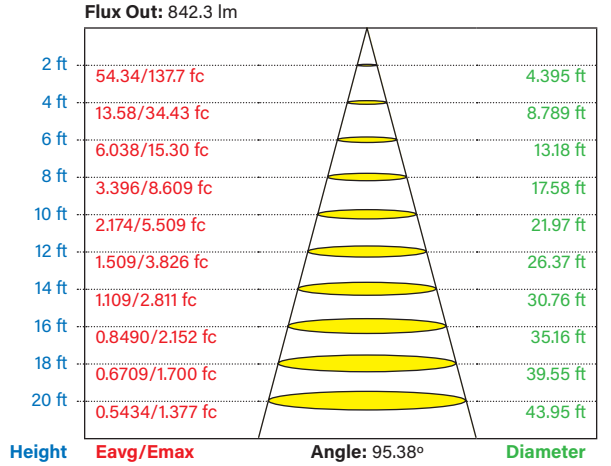
Curves show illuminated area and average illumination when lamp is at various distances.

KT-LED14PSRD-6CB-9CSF-DIM

POLAR CANDELA DISTRIBUTION

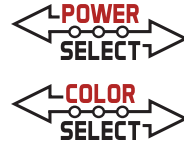


LUX DISTANCE CURVE



Curves show illuminated area and average illumination when lamp is at various distances.

(Photometric Specifications continued on next page)

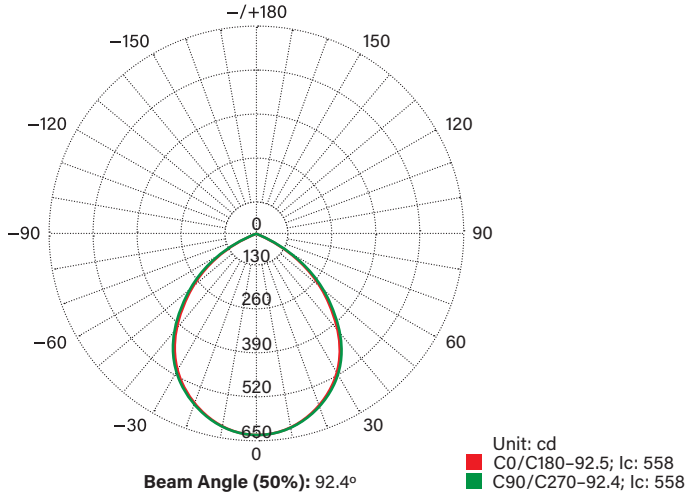


KT-LED14PSRD-6XX-9CSF-DIM-X

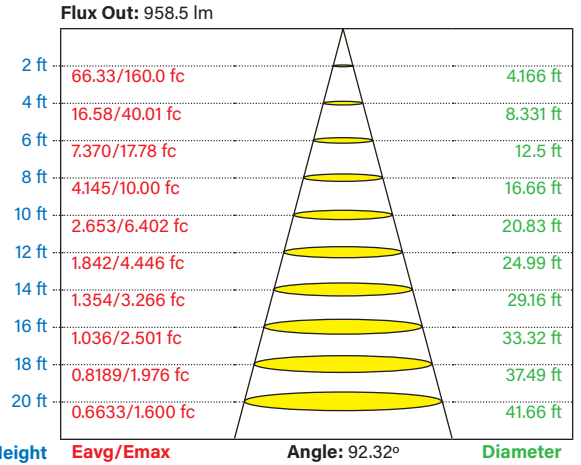
5" / 6" DOWNLIGHT RETROFIT TRIM

PHOTOMETRIC SPECIFICATIONS (CONTINUED)

KT-LED14PSRD-6C-9CSF-DIM-B
POLAR CANDELA DISTRIBUTION

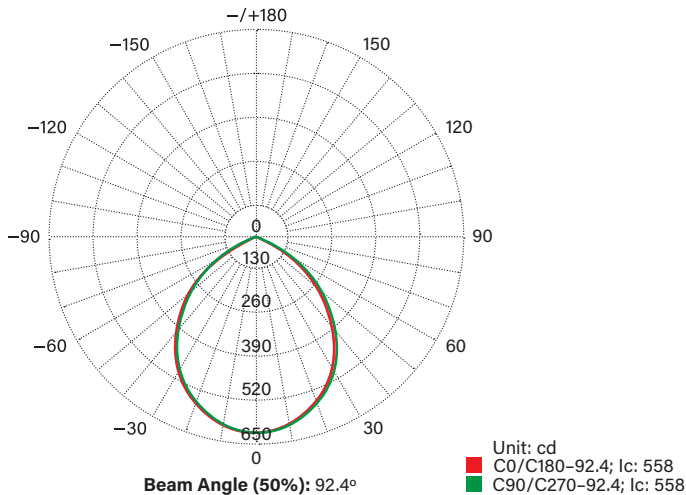


LUX DISTANCE CURVE

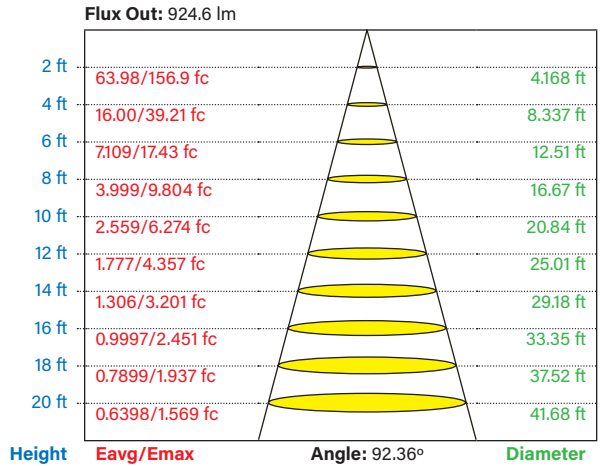


Curves show illuminated area and average illumination when lamp is at various distances.

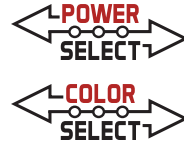
KT-LED14PSRD-6CB-9CSF-DIM-B
POLAR CANDELA DISTRIBUTION



LUX DISTANCE CURVE



Curves show illuminated area and average illumination when lamp is at various distances.

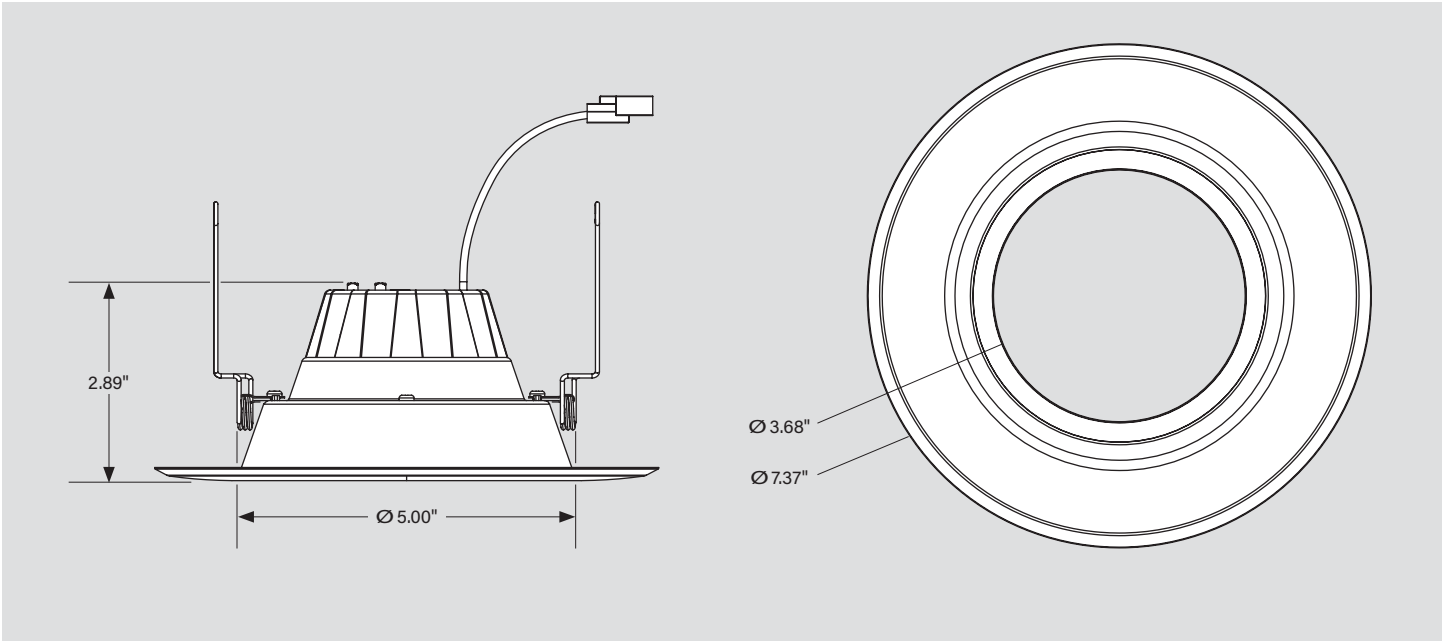


KT-LED14PSRD-6XX-9CSF-DIM-X

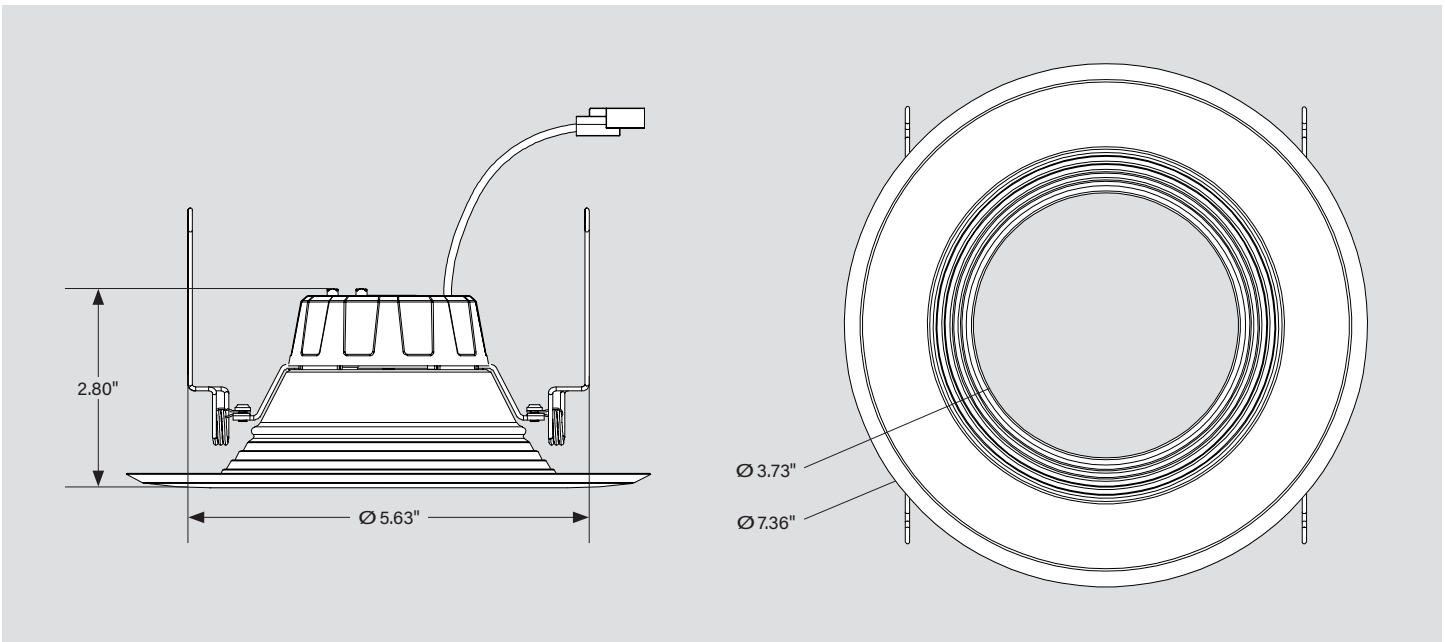
5" / 6" DOWNLIGHT RETROFIT TRIM

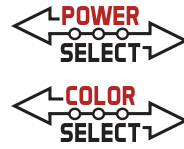
PHYSICAL SPECIFICATIONS

KT-LED14PSRD-6C-9CSF-DIM-X (SMOOTH)



KT-LED14PSRD-6CB-9CSF-DIM-X (BAFFLED)





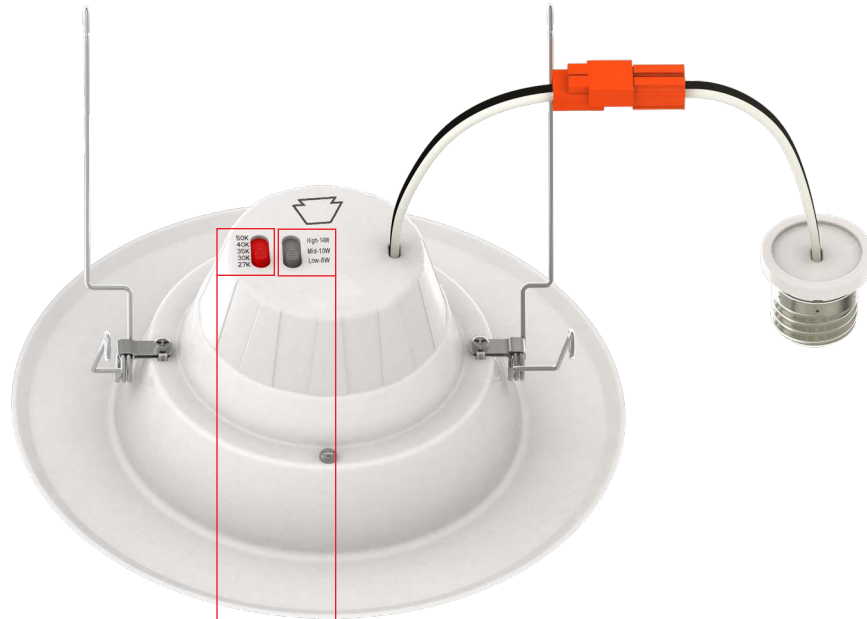
KT-LED14PSRD-6XX-9CSF-DIM-X

5" / 6" DOWNLIGHT RETROFIT TRIM

POWER SELECT (WATTAGE) AND COLOR SELECT (CCT) ADJUSTMENT

This fixture is equipped with field-adjustable Keystone Power Select and Color Select technology.

1. Ensure power is off to the fixture.
2. Adjust dip switches to desired settings.



COLOR SELECT ADJUSTMENT SWITCH
 Set dip switch to adjust CCT between 2700K, 3000K, 3500K, 4000K, and 5000K. Fixture comes preset at 2700K.



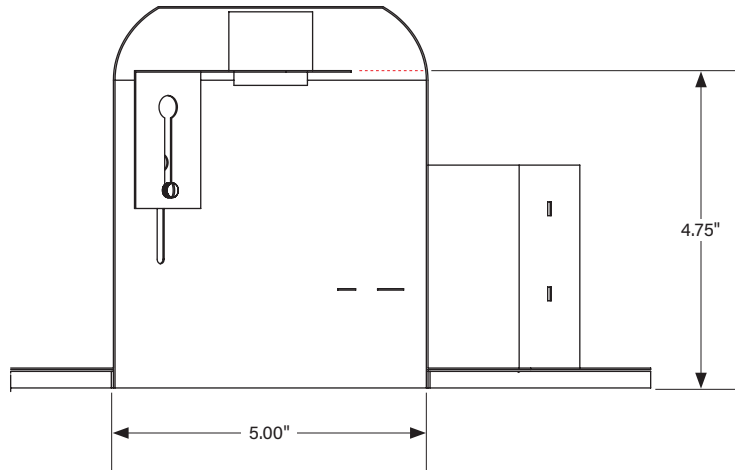
POWER SELECT ADJUSTMENT SWITCH
 Set dip switch to adjust wattage between 8W, 10W, and 14W. Fixture comes preset at 14W.

KT-LED14PSRD-6XX-9CSF-DIM-X

5" / 6" DOWNLIGHT RETROFIT TRIM

INSTALLATION INSTRUCTIONS

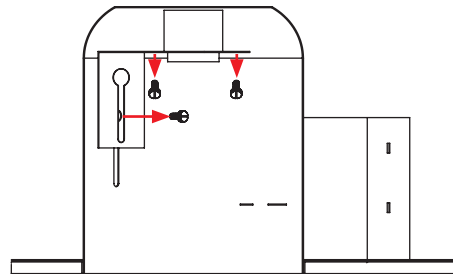
The existing luminaire housing must be equal to or larger than over-all inner dimensions illustrated below.



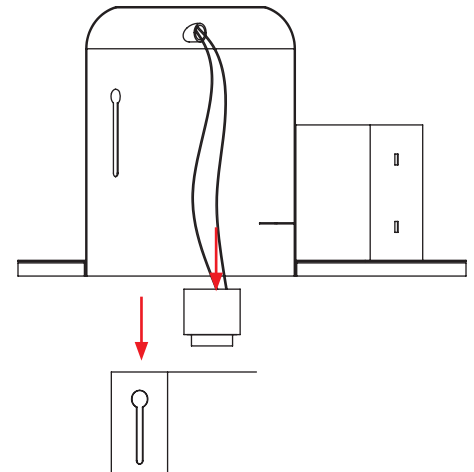
- 1. Shut off power at the source of the recessed housing into which you are installing fixture.** Remove existing trim and CFL or incandescent bulb.

Note: Follow all federal and local regulations when disposing of lamps and removed components.

- 2. Unscrew the screws on socket bracket; push bracket upward to the top.**



- 3. Remove existing socket mounting plate from the housing, then remove lamp socket from the plate.**

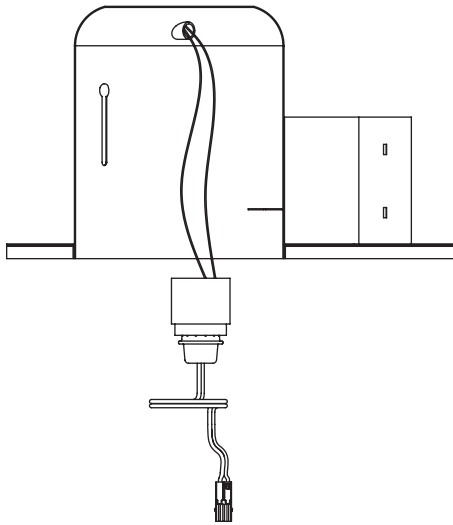


(Installation Instructions continued on next page)

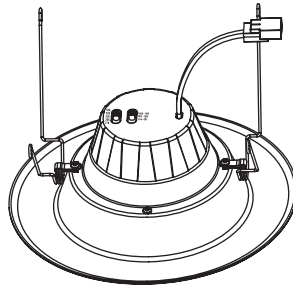
KT-LED14PSRD-6XX-9CSF-DIM-X
5" / 6" DOWNLIGHT RETROFIT TRIM

INSTALLATION INSTRUCTIONS (CONTINUED)

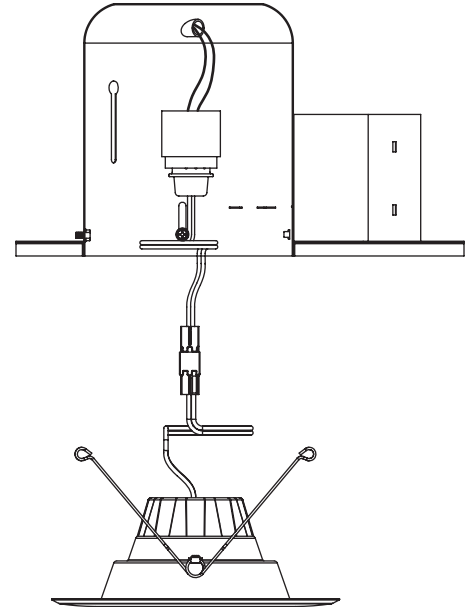
4. Screw E26 adaptor into the socket.



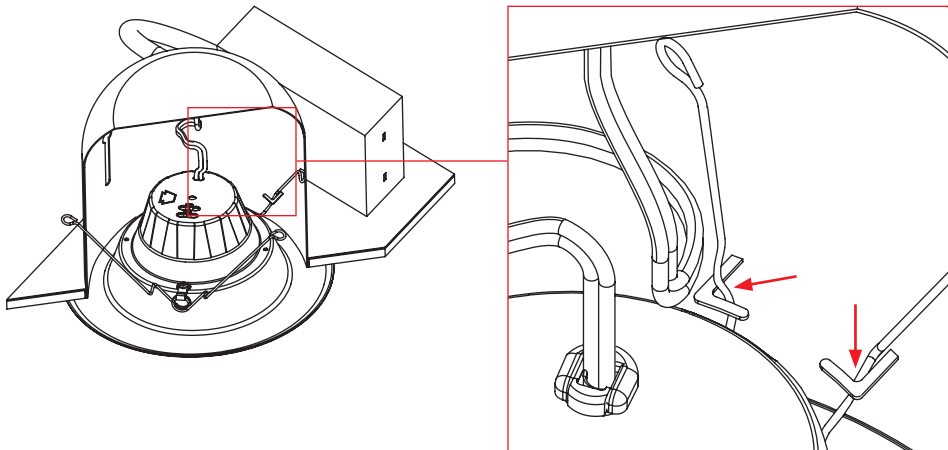
5. Select desired Wattage and CCT using adjustment switches on driver box (see Power Select (Wattage) and Color Select (CCT) Adjustment on page 3).



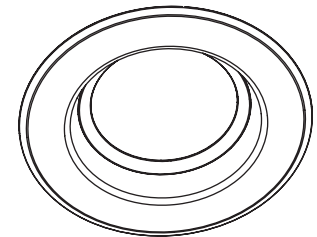
6. Plug E26 base cable connection into the recessed housing.



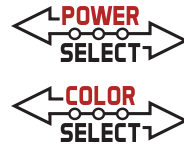
7. Squeeze torsion springs as shown and install into the metal brackets inside the recessed housing. For proper installation, the torsion springs should be seated within the brackets and on both sides of the housing.



8. Carefully place wires into the fixture, then push the LED trim into the housing until trim is flush with ceiling.



9. Restore power.



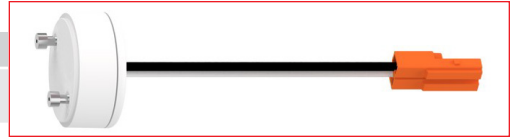
KT-LED14PSRD-6XX-9CSF-DIM-X

5" / 6" DOWNLIGHT RETROFIT TRIM

OPTIONAL ACCESSORIES (SOLD SEPARATELY)

GU24 ADAPTOR

Catalog Number	Description	UPC	Easy Code
KT-ADPT-RD-GU24	GU24 Adaptor for downlight retrofit trim	843654137568	WTQ-04



TORSION-SPRING ADAPTOR

Catalog Number	Description	UPC	Easy Code
KT-ADPT-RD-6C-TS	Torsion-spring adaptor for 5" / 6" downlight retrofit trim	843654137667	GGR-44



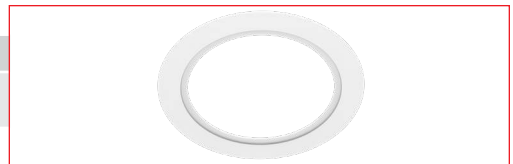
INTERCHANGEABLE TRIM

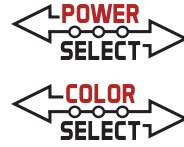
Catalog Number	Description	UPC	Easy Code
KT-TRIM-RD-6C-MB	Interchangeable Trim for 5" / 6" Circular Downlight Retrofit Trim; Matte Black	843654137582	OGP-16
KT-TRIM-RD-6C-BR	Interchangeable Trim for 5" / 6" Circular Downlight Retrofit Trim; Bronze	843654137605	MGF-76
KT-TRIM-RD-6C-BN	Interchangeable Trim for 5" / 6" Circular Downlight Retrofit Trim; Brushed Nickel	843654137629	JPJ-80
KT-TRIM-RD-6CB-MB	Interchangeable Trim for Baffled 5" / 6" Residential Circular Downlight, Matte Black	843654140742	GGG-71
KT-TRIM-RD-6CB-BR	Interchangeable Trim for Baffled 5" / 6" Residential Circular Downlight; Bronze	843654140766	TUJ-85
KT-TRIM-RD-6CB-BN	Interchangeable Trim for Baffled 5" / 6" Residential Circular Downlight, Brushed Nickel	843654140780	LSE-13



GOOF RING

Catalog Number	Description	UPC	Easy Code
KT-GOOF-RD-6C	Goof ring for 5" / 6" circular downlight; 10.51" diameter	843654137643	ECX-08





KT-LED14PSRD-6XX-9CSF-DIM-X

5" / 6" DOWNLIGHT RETROFIT TRIM

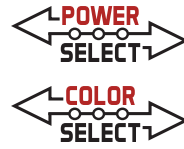
ORDERING INFORMATION

Catalog Number	UPC	Easy Code	Energy Star ID
KT-LED14PSRD-6C-9CSF-DIM	843654137452	KCE-92	3619528
KT-LED14PSRD-6C-9CSF-DIM-B	843654167848	ZPW-54	3942821
KT-LED14PSRD-6CB-9CSF-DIM	843654140728	LON-29	3619528
KT-LED14PSRD-6CB-9CSF-DIM-B	843654166759	ERZ-61	3942821

CATALOG NUMBER BREAKDOWN

KT-LED14PSRD-6XX-9CSF-DIM-X

1	2	3	4	5	6	7	8	9	10	11	12
1 Keystone Technologies	2 LED Technology	3 Wattage	4 Power Select	5 Fixture Type	6 Nominal Size	7 Shape	8 CRI				
				RD Recessed Downlight	6 5" / 6"	C Circular CB Circular Baffled	9 90				
5 Fixture Type	10 Color Select Designation		11 Dimming								
	F	2700K, 3000K, 3500K, 4000K, 5000K	DIM TRIAC Dimmable								
7 Shape	12 Housing Color										
	B	White Black									



KT-LED14PSRD-6XX-9CSF-DIM-X

5" / 6" DOWNLIGHT RETROFIT TRIM

DESCRIPTION

5" / 6" Downlight Retrofit Trim | Power Select Technology | Color Select Technology | Quick-Disconnect E26 Base

APPLICATION

Ideal for residential, hospitality, retail, and other retrofit and new construction applications



5 YEAR WARRANTY

PRODUCT FEATURES

- Keystone Power Select technology (See Performance Specifications for details)
- Keystone Color Select technology (2700/3000/3500/4000/5000K)
- Includes quick-disconnect E26 base adaptor for easy, screw-in install
- Improved aesthetics vs legacy trims
- Ideal for retrofit and remodel applications
- Smooth and baffled trims available
- Diffused lens for visual comfort and reduced glare
- Smooth, uniform dimming
- Suitable for use in wet locations
- Suitable for use in 5" / 6" recessed cans
- PF > 0.98
- Operating temperature range: -4°F/-20°C to 95°F/35°C
- ETL Classified Luminaire
- ETL Classified Retrofit Kit
- T20/T24/JA8 compliant
- Complies with Part 15 of FCC

PRODUCT IMAGES



KT-LED14PSRD-6C-9CSF-DIM



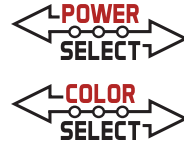
KT-LED14PSRD-6C-9CSF-DIM-B



KT-LED14PSRD-6CB-9CSF-DIM



KT-LED14PSRD-6CB-9CSF-DIM-B



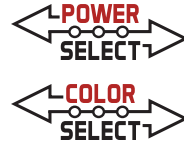
KT-LED14PSRD-6XX-9CSF-DIM-X

5" / 6" DOWNLIGHT RETROFIT TRIM

PERFORMANCE SPECIFICATIONS - WHITE TRIM COLOR

Catalog Number	Input Voltage	Wattage (Selectable)	CCT (Selectable)*	Lumen Output	Efficacy	CRI	Power Factor	Beam Angle	Style
KT-LED14PSRD-6C-9CSF-DIM	120V	14W	2700K	1300	93 lm/W	> 90	> 0.9	90°	Smooth
			3000K	1330	95 lm/W				
			3500K	1380	99 lm/W				
			4000K	1380	99 lm/W				
			5000K	1330	95 lm/W				
		10W	2700K	1050	105 lm/W				
			3000K	1080	108 lm/W				
			3500K	1110	111 lm/W				
			4000K	1110	111 lm/W				
			5000K	1080	108 lm/W				
		8W	2700K	750	94 lm/W				
			3000K	770	96 lm/W				
			3500K	790	99 lm/W				
			4000K	790	99 lm/W				
			5000K	770	96 lm/W				
KT-LED14PSRD-6CB-9CSF-DIM	120V	14W	2700K	1300	93 lm/W	> 80	> 0.9	90°	Baffled
			3000K	1330	95 lm/W				
			3500K	1380	99 lm/W				
			4000K	1380	99 lm/W				
			5000K	1330	95 lm/W				
		10W	2700K	1050	105 lm/W				
			3000K	1080	108 lm/W				
			3500K	1110	111 lm/W				
			4000K	1110	111 lm/W				
			5000K	1080	108 lm/W				
		8W	2700K	750	94 lm/W				
			3000K	770	96 lm/W				
			3500K	790	99 lm/W				
			4000K	790	99 lm/W				
			5000K	770	96 lm/W				

* Preset to lowest CCT: 2700K
 Color Uniformity: CCT (Correlated Color Temperature) range as per guidelines outlined in ANSI C78.377-2017



KT-LED14PSRD-6XX-9CSF-DIM-X

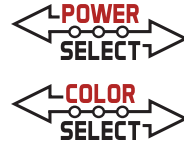
5" / 6" DOWNLIGHT RETROFIT TRIM

PERFORMANCE SPECIFICATIONS - BLACK TRIM COLOR

Catalog Number	Input Voltage	Wattage (Selectable)	CCT (Selectable)*	Lumen Output	Efficacy	CRI	Power Factor	Beam Angle	Style
KT-LED14PSRD-6C-9CSF-DIM-B	120V	14W	2700K	1220	87 lm/W	> 90	> 0.9	90°	Smooth
			3000K	1240	89 lm/W				
			3500K	1260	90 lm/W				
			4000K	1260	90 lm/W				
			5000K	1240	89 lm/W				
		10W	2700K	920	92 lm/W				
			3000K	940	94 lm/W				
			3500K	960	96 lm/W				
			4000K	960	96 lm/W				
			5000K	940	94 lm/W				
		8W	2700K	760	95 lm/W				
			3000K	780	98 lm/W				
			3500K	800	100 lm/W				
			4000K	800	100 lm/W				
			5000K	780	98 lm/W				
KT-LED14PSRD-6CB-9CSF-DIM-B	120V	14W	2700K	1200	86 lm/W	> 80	> 0.9	90°	Baffled
			3000K	1220	87 lm/W				
			3500K	1240	89 lm/W				
			4000K	1240	89 lm/W				
			5000K	1220	87 lm/W				
		10W	2700K	900	90 lm/W				
			3000K	920	92 lm/W				
			3500K	940	94 lm/W				
			4000K	940	94 lm/W				
			5000K	920	92 lm/W				
		8W	2700K	750	94 lm/W				
			3000K	770	96 lm/W				
			3500K	790	99 lm/W				
			4000K	790	99 lm/W				
			5000K	770	96 lm/W				

* Preset to lowest CCT: 2700K

Color Uniformity: CCT (Correlated Color Temperature) range as per guidelines outlined in ANSI C78.377-2017



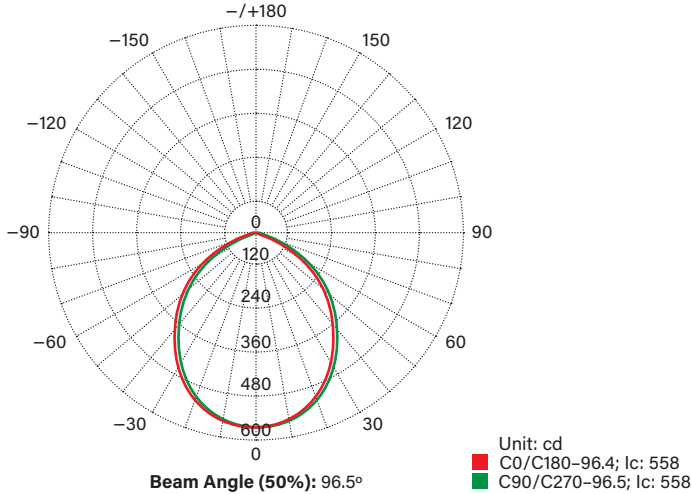
KT-LED14PSRD-6XX-9CSF-DIM-X

5" / 6" DOWNLIGHT RETROFIT TRIM

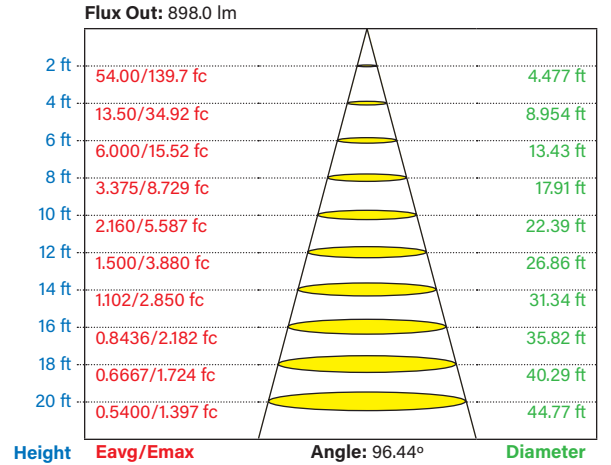
PHOTOMETRIC SPECIFICATIONS

KT-LED14PSRD-6C-9CSF-DIM

POLAR CANDELA DISTRIBUTION



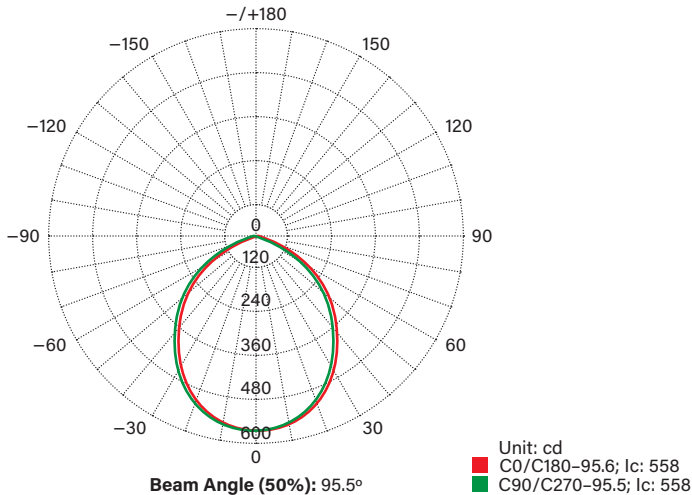
LUX DISTANCE CURVE



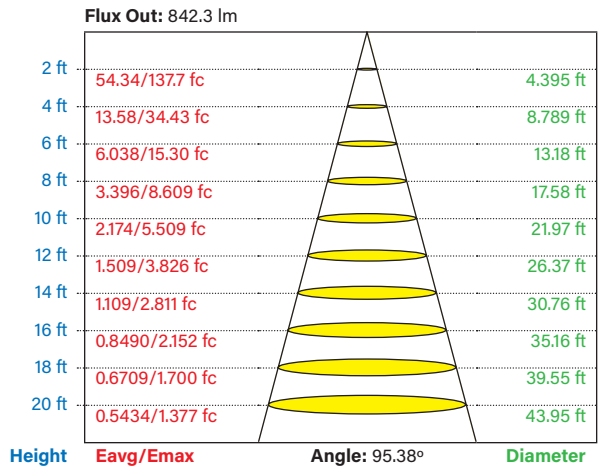
Curves show illuminated area and average illumination when lamp is at various distances.

KT-LED14PSRD-6CB-9CSF-DIM

POLAR CANDELA DISTRIBUTION

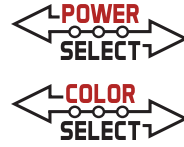


LUX DISTANCE CURVE



Curves show illuminated area and average illumination when lamp is at various distances.

(Photometric Specifications continued on next page)

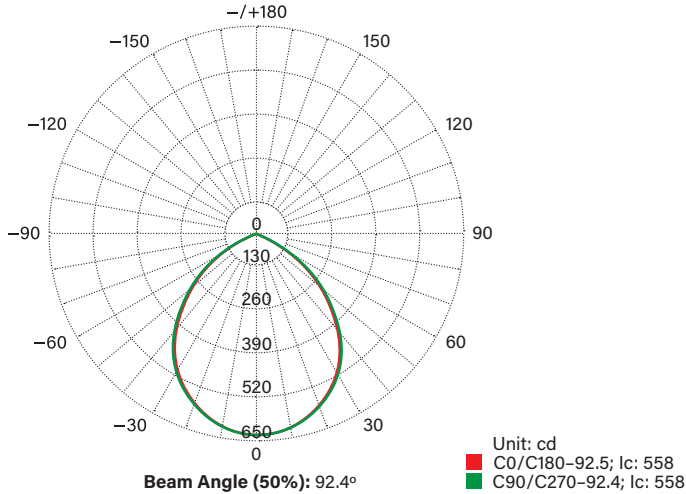


KT-LED14PSRD-6XX-9CSF-DIM-X

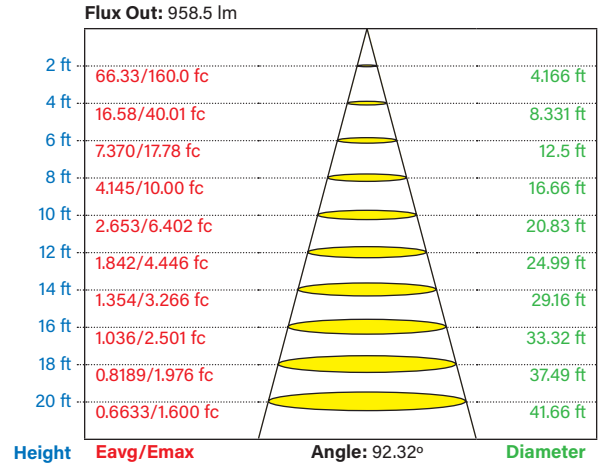
5" / 6" DOWNLIGHT RETROFIT TRIM

PHOTOMETRIC SPECIFICATIONS (CONTINUED)

KT-LED14PSRD-6C-9CSF-DIM-B
POLAR CANDELA DISTRIBUTION

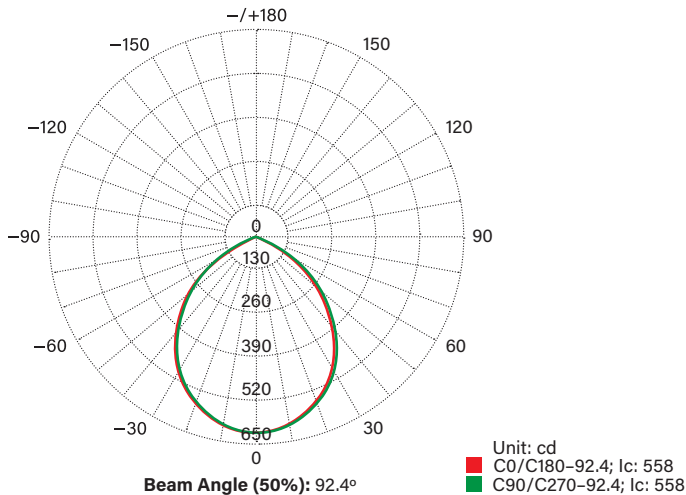


LUX DISTANCE CURVE

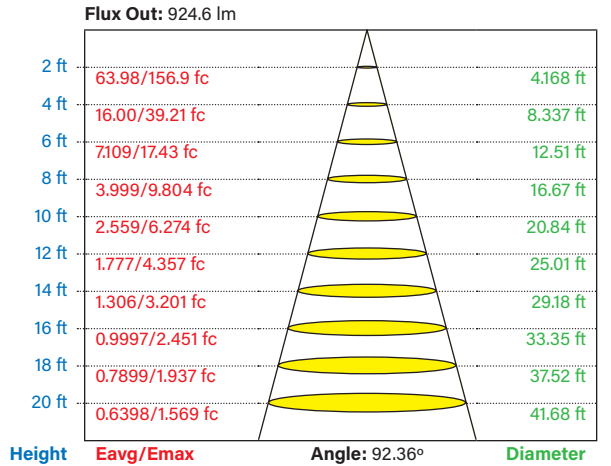


Curves show illuminated area and average illumination when lamp is at various distances.

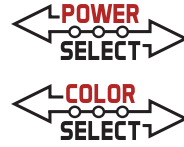
KT-LED14PSRD-6CB-9CSF-DIM-B
POLAR CANDELA DISTRIBUTION



LUX DISTANCE CURVE



Curves show illuminated area and average illumination when lamp is at various distances.

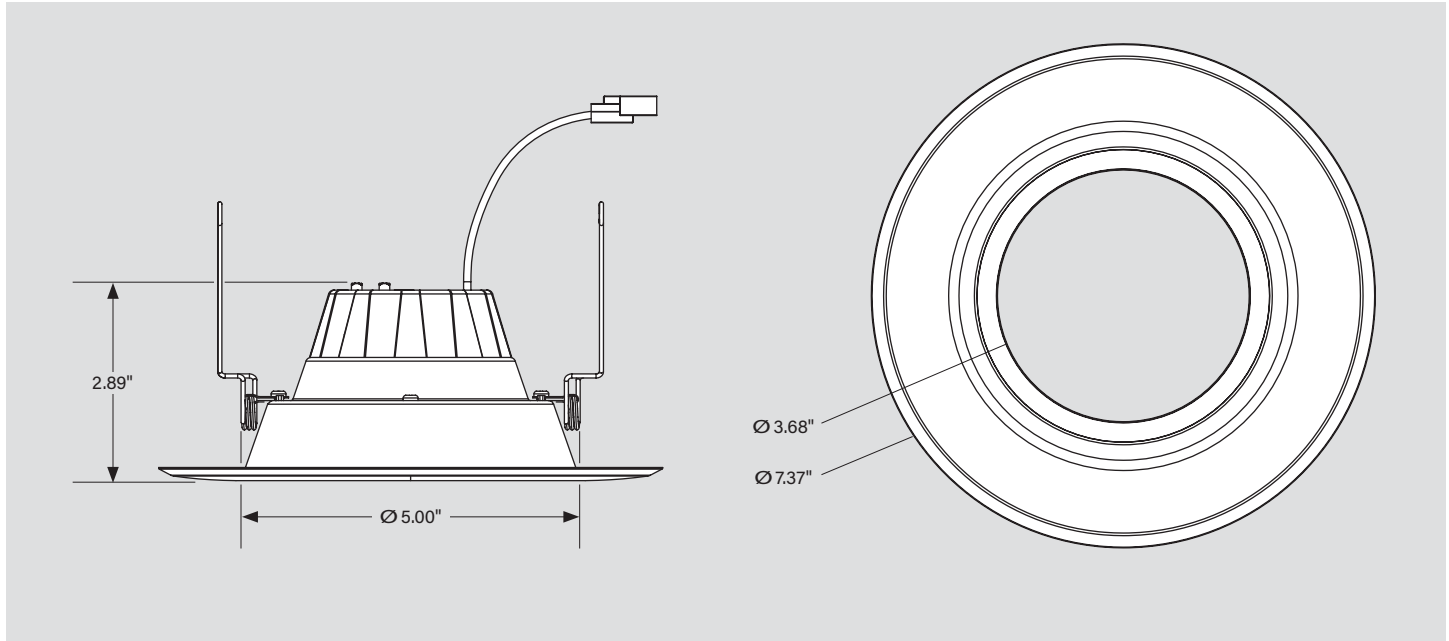


KT-LED14PSRD-6XX-9CSF-DIM-X

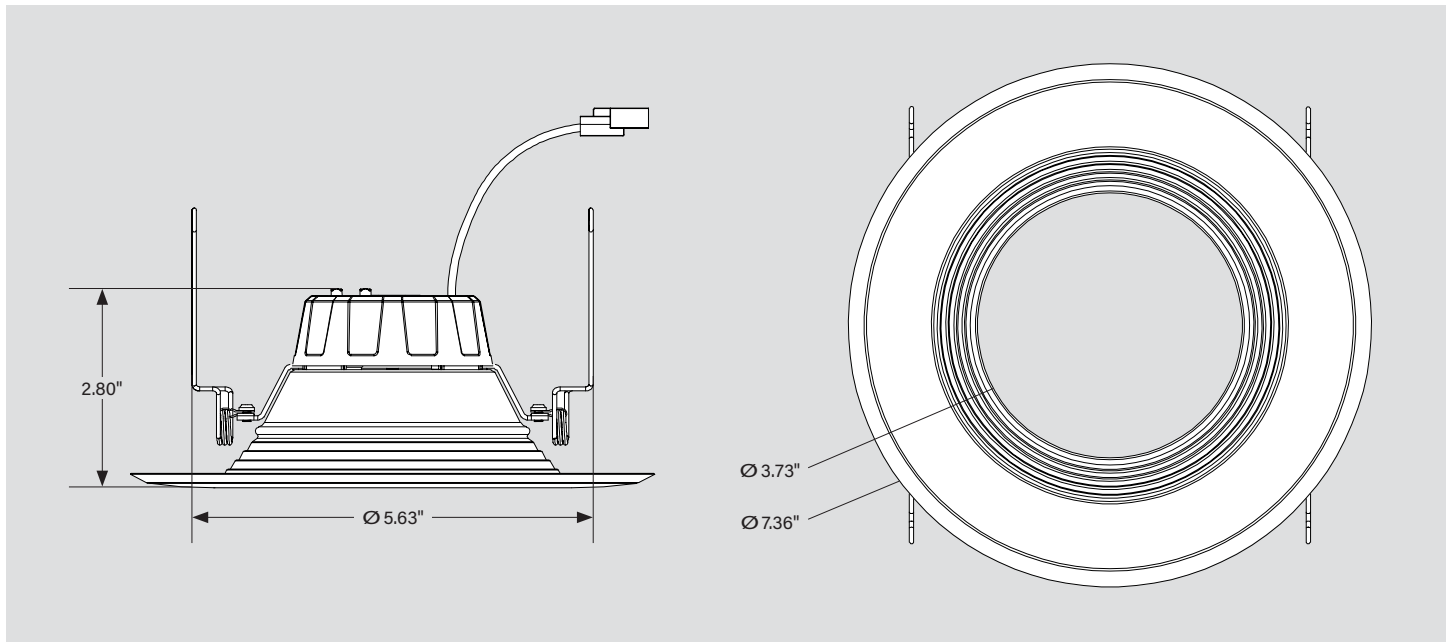
5" / 6" DOWNLIGHT RETROFIT TRIM

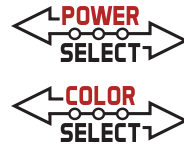
PHYSICAL SPECIFICATIONS

KT-LED14PSRD-6C-9CSF-DIM-X (SMOOTH)



KT-LED14PSRD-6CB-9CSF-DIM-X (BAFFLED)





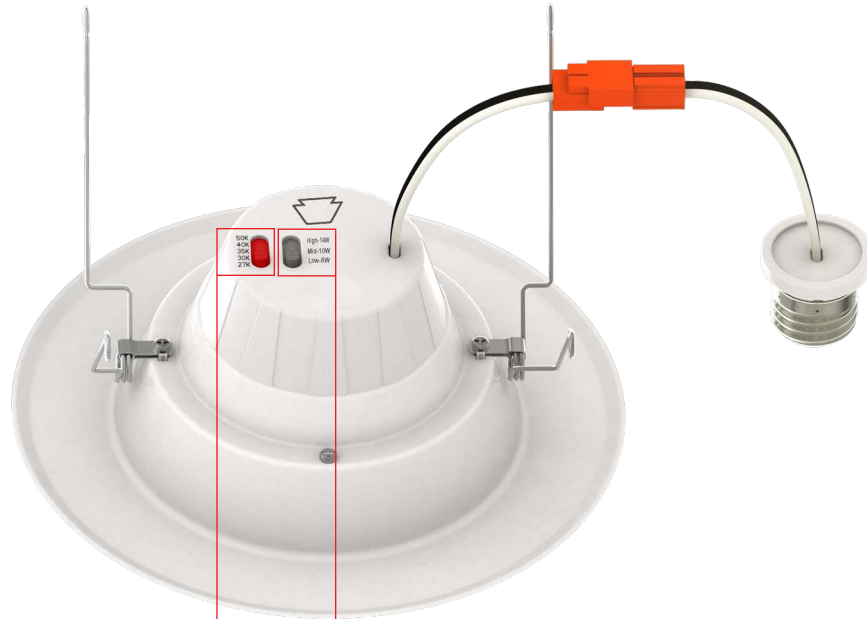
KT-LED14PSRD-6XX-9CSF-DIM-X

5" / 6" DOWNLIGHT RETROFIT TRIM

POWER SELECT (WATTAGE) AND COLOR SELECT (CCT) ADJUSTMENT

This fixture is equipped with field-adjustable Keystone Power Select and Color Select technology.

1. Ensure power is off to the fixture.
2. Adjust dip switches to desired settings.



COLOR SELECT ADJUSTMENT SWITCH
 Set dip switch to adjust CCT between 2700K, 3000K, 3500K, 4000K, and 5000K. Fixture comes preset at 2700K.



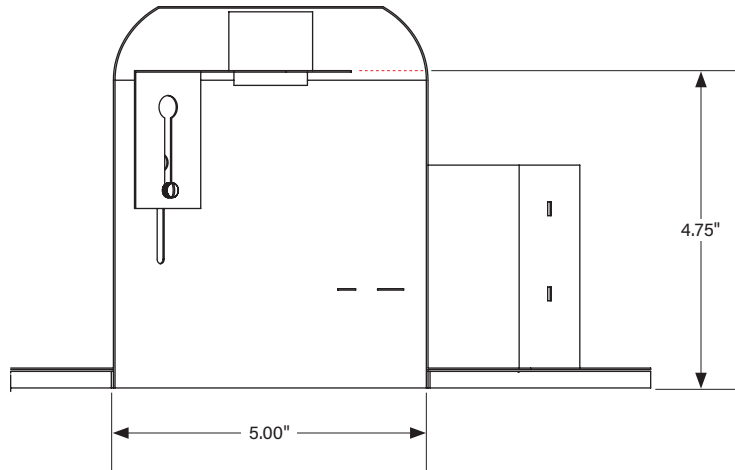
POWER SELECT ADJUSTMENT SWITCH
 Set dip switch to adjust wattage between 8W, 10W, and 14W. Fixture comes preset at 14W.

KT-LED14PSRD-6XX-9CSF-DIM-X

5" / 6" DOWNLIGHT RETROFIT TRIM

INSTALLATION INSTRUCTIONS

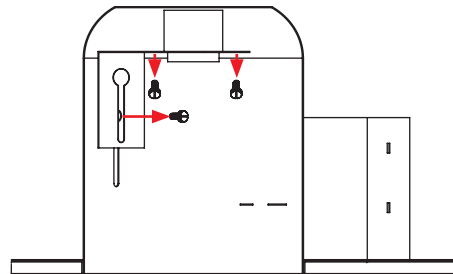
The existing luminaire housing must be equal to or larger than over-all inner dimensions illustrated below.



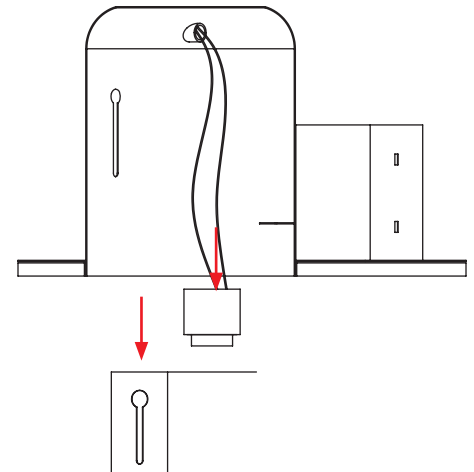
- 1. Shut off power at the source of the recessed housing into which you are installing fixture.** Remove existing trim and CFL or incandescent bulb.

Note: Follow all federal and local regulations when disposing of lamps and removed components.

- 2. Unscrew the screws on socket bracket; push bracket upward to the top.**



- 3. Remove existing socket mounting plate from the housing, then remove lamp socket from the plate.**

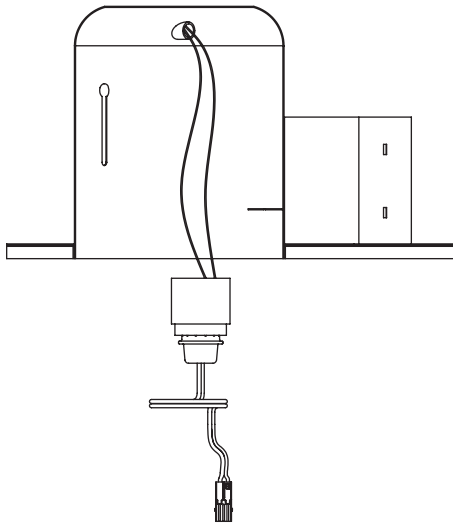


(Installation Instructions continued on next page)

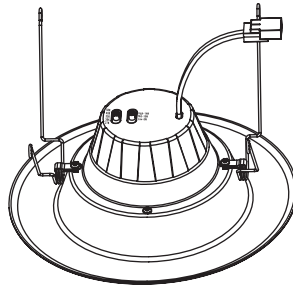
KT-LED14PSRD-6XX-9CSF-DIM-X
5" / 6" DOWNLIGHT RETROFIT TRIM

INSTALLATION INSTRUCTIONS (CONTINUED)

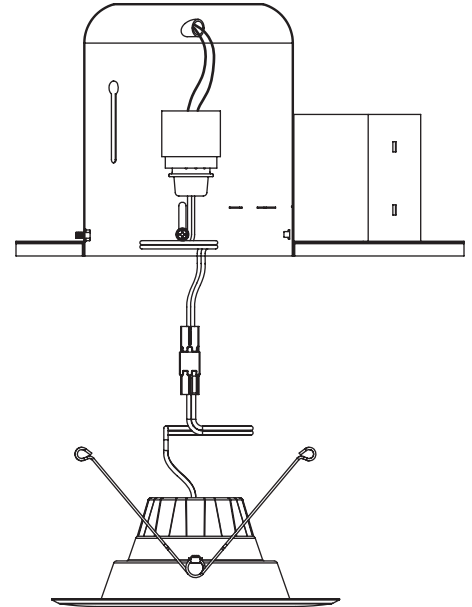
4. Screw E26 adaptor into the socket.



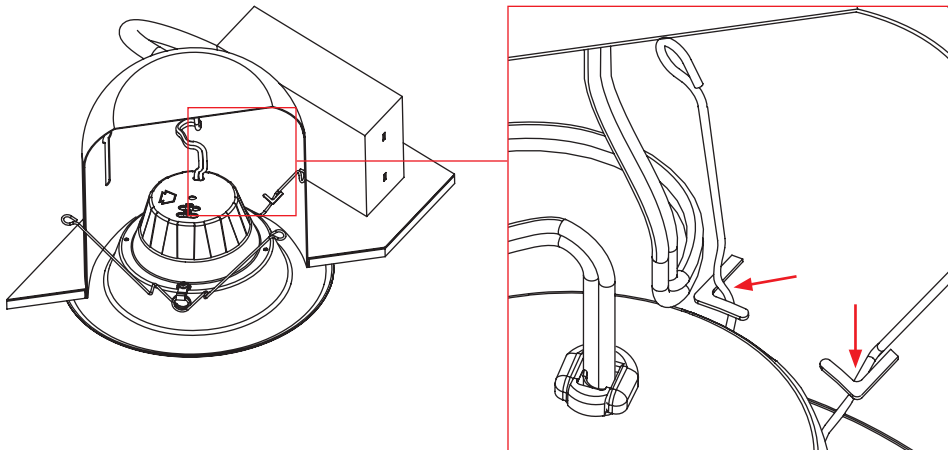
5. Select desired Wattage and CCT using adjustment switches on driver box (see Power Select (Wattage) and Color Select (CCT) Adjustment on page 3).



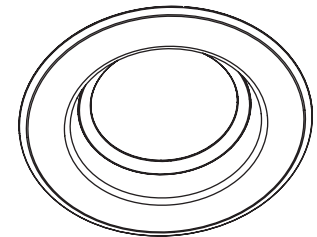
6. Plug E26 base cable connection into the recessed housing.



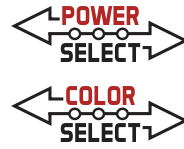
7. Squeeze torsion springs as shown and install into the metal brackets inside the recessed housing. For proper installation, the torsion springs should be seated within the brackets and on both sides of the housing.



8. Carefully place wires into the fixture, then push the LED trim into the housing until trim is flush with ceiling.



9. Restore power.



KT-LED14PSRD-6XX-9CSF-DIM-X

5" / 6" DOWNLIGHT RETROFIT TRIM

OPTIONAL ACCESSORIES (SOLD SEPARATELY)

GU24 ADAPTOR

Catalog Number	Description	UPC	Easy Code
KT-ADPT-RD-GU24	GU24 Adaptor for downlight retrofit trim	843654137568	WTQ-04



TORSION-SPRING ADAPTOR

Catalog Number	Description	UPC	Easy Code
KT-ADPT-RD-6C-TS	Torsion-spring adaptor for 5" / 6" downlight retrofit trim	843654137667	GGR-44



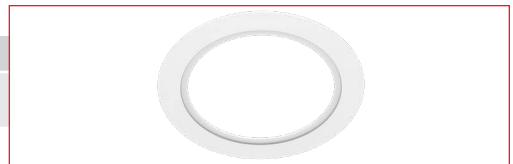
INTERCHANGEABLE TRIM

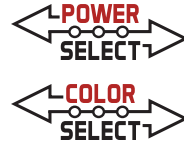
Catalog Number	Description	UPC	Easy Code
KT-TRIM-RD-6C-MB	Interchangeable Trim for 5" / 6" Circular Downlight Retrofit Trim; Matte Black	843654137582	OGP-16
KT-TRIM-RD-6C-BR	Interchangeable Trim for 5" / 6" Circular Downlight Retrofit Trim; Bronze	843654137605	MGF-76
KT-TRIM-RD-6C-BN	Interchangeable Trim for 5" / 6" Circular Downlight Retrofit Trim; Brushed Nickel	843654137629	JPJ-80
KT-TRIM-RD-6CB-MB	Interchangeable Trim for Baffled 5" / 6" Residential Circular Downlight, Matte Black	843654140742	GGG-71
KT-TRIM-RD-6CB-BR	Interchangeable Trim for Baffled 5" / 6" Residential Circular Downlight; Bronze	843654140766	TUJ-85
KT-TRIM-RD-6CB-BN	Interchangeable Trim for Baffled 5" / 6" Residential Circular Downlight, Brushed Nickel	843654140780	LSE-13



GOOF RING

Catalog Number	Description	UPC	Easy Code
KT-GOOF-RD-6C	Goof ring for 5" / 6" circular downlight; 10.51" diameter	843654137643	ECX-08





KT-LED14PSRD-6XX-9CSF-DIM-X

5" / 6" DOWNLIGHT RETROFIT TRIM

ORDERING INFORMATION

Catalog Number	UPC	Easy Code	Energy Star ID
KT-LED14PSRD-6C-9CSF-DIM	843654137452	KCE-92	3619528
KT-LED14PSRD-6C-9CSF-DIM-B	843654167848	ZPW-54	3942821
KT-LED14PSRD-6CB-9CSF-DIM	843654140728	LON-29	3619528
KT-LED14PSRD-6CB-9CSF-DIM-B	843654166759	ERZ-61	3942821

CATALOG NUMBER BREAKDOWN

KT-LED14PSRD-6XX-9CSF-DIM-X

1	2	3	4	5	6	7	8	9	10	11	12
1 Keystone Technologies	2 LED Technology	3 Wattage	4 Power Select	5 Fixture Type	6 Nominal Size	7 Shape	8 CRI				
				RD Recessed Downlight	6 5" / 6"	C Circular CB Circular Baffled	9 90				
5 Fixture Type	6 Nominal Size		7 Shape		8 CRI						
6 Nominal Size	7 Shape		8 CRI		10 Color Select Designation		11 Dimming				
					F 2700K, 3000K, 3500K, 4000K, 5000K		DIM TRIAC Dimmable				
7 Shape	8 CRI		10 Color Select Designation		11 Dimming						
					DIM TRIAC Dimmable						
8 CRI	10 Color Select Designation		12 Housing Color								
			White								
9 Color Select	11 Dimming		12 Housing Color								
			B Black								
10 Color Select Designation	12 Housing Color										