



CABLE/CONDUIT CLIP, 3/4", 1" EMT, 1/2", 3/4" RIGID, 1.181" MAX

CATALOG NUMBER

K16



CERTIFICATIONS



FEATURES

Supports conduit to rod, wire or flange

Can also be used for flexible metallic tubing, armored cable, portable cables, control tubes and communications cable

Available for EMT, rigid, ENT, IMT, MC/AC and aluminum conduit

No installation tools required

PRODUCT ATTRIBUTES

Material: Spring Steel

Finish: nVent CADDY Armour

EMT Conduit Size: 3/4";1"

Rigid Conduit Size: 1/2";3/4"

Outer Diameter (OD): 1.18" Max

Static Load 1 (F1): 50lb

Static Load 2 (F2): 100lb

ADDITIONAL PRODUCT DETAILS

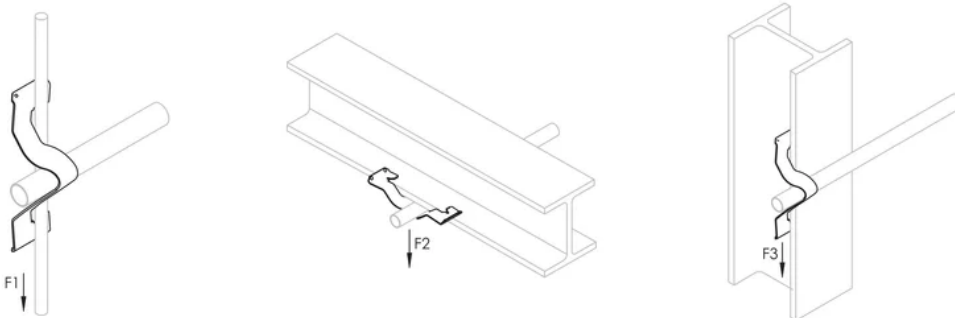
May require dedicated drop wire/rod and EC311. Consult local authority.

For horizontal application only when installing conduit.

Conduit Size	#10 or #12 Wire	#8 or #9 Wire	3/16" or 1/4" Rod	1/8" - 1/4" Flange	5/16" - 3/8" Flange	7/16" - 1/2" Flange
1/2" EMT	K8	K8	K8	K8	K12	K12
1/2" Rigid	K8	K12	K12	K12	K12	K16
3/4" EMT	K12	K12	K12	K12	K16	K16
3/4" Rigid	K12	K12	K16	K16	K20	K20
1" EMT	-	K16	K16	K16	K20	K20
1" Rigid	-	-	-	K20	K20	K20
1 1/4" EMT	-	K20	K20	K20	-	-

Cable Size	#12 Wire	#8, #9, #10 Wire
14-2 (.433" - .475" OD)	KX	KX
14-3 (.453" - .500" OD)	KX	KX
12-2 (.467" - .510" OD)	KX	KX
12-3 (.489" - .535" OD)	KX	K8

DIAGRAMS



WARNING

nVent products shall be installed and used only as indicated in nVent's product instruction sheets and training materials. Instruction sheets are available at www.nvent.com and from your nVent customer service representative. Improper installation, misuse, misapplication or other failure to completely follow nVent's instructions and warnings may cause product malfunction, property damage, serious bodily injury and death and/or void your warranty.

North America

+1.800.753.9221

Option 1 – Customer Care

Option 2 – Technical Support

Europe

Netherlands:

+31 800-0200135

France:

+33 800 901 793

Europe

Germany:

800 1890272

Other Countries:

+31 13 5835404

APAC

Shanghai:

+ 86 21 2412 1618/19

Sydney:

+61 2 9751 8500



Our powerful portfolio of brands:
nVent.com CADDY ERICO HOFFMAN RAYCHEM SCHROFF
TRACER



CABLE/CONDUIT CLIP, 3/4", 1" EMT, 1/2", 3/4" RIGID, 1.181" MAX

CATALOG NUMBER

K16



CERTIFICATIONS



FEATURES

Supports conduit to rod, wire or flange

Can also be used for flexible metallic tubing, armored cable, portable cables, control tubes and communications cable

Available for EMT, rigid, ENT, IMT, MC/AC and aluminum conduit

No installation tools required

PRODUCT ATTRIBUTES

Material: Spring Steel

Finish: nVent CADDY Armour

EMT Conduit Size: 3/4";1"

Rigid Conduit Size: 1/2";3/4"

Outer Diameter (OD): 1.18" Max

Static Load 1 (F1): 50lb

Static Load 2 (F2): 100lb

ADDITIONAL PRODUCT DETAILS

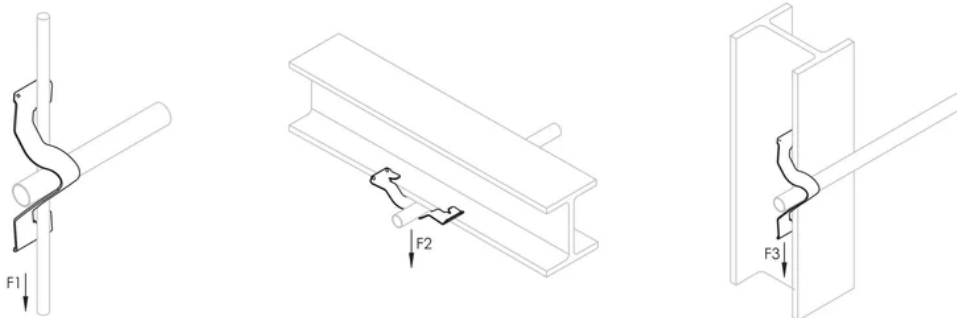
May require dedicated drop wire/rod and EC311. Consult local authority.

For horizontal application only when installing conduit.

Conduit Size	#10 or #12 Wire	#8 or #9 Wire	3/16" or 1/4" Rod	1/8" - 1/4" Flange	5/16" - 3/8" Flange	7/16" - 1/2" Flange
1/2" EMT	K8	K8	K8	K8	K12	K12
1/2" Rigid	K8	K12	K12	K12	K12	K16
3/4" EMT	K12	K12	K12	K12	K16	K16
3/4" Rigid	K12	K12	K16	K16	K20	K20
1" EMT	-	K16	K16	K16	K20	K20
1" Rigid	-	-	-	K20	K20	K20
1 1/4" EMT	-	K20	K20	K20	-	-

Cable Size	#12 Wire	#8, #9, #10 Wire
14-2 (.433" - .475" OD)	KX	KX
14-3 (.453" - .500" OD)	KX	KX
12-2 (.467" - .510" OD)	KX	KX
12-3 (.489" - .535" OD)	KX	K8

DIAGRAMS



WARNING

nVent products shall be installed and used only as indicated in nVent's product instruction sheets and training materials. Instruction sheets are available at www.nvent.com and from your nVent customer service representative. Improper installation, misuse, misapplication or other failure to completely follow nVent's instructions and warnings may cause product malfunction, property damage, serious bodily injury and death and/or void your warranty.

North America

+1.800.753.9221

Option 1 – Customer Care

Option 2 – Technical Support

Europe

Netherlands:

+31 800-0200135

France:

+33 800 901 793

Europe

Germany:

800 1890272

Other Countries:

+31 13 5835404

APAC

Shanghai:

+ 86 21 2412 1618/19

Sydney:

+61 2 9751 8500



Our powerful portfolio of brands:
nVent.com CADDY ERICO HOFFMAN RAYCHEM SCHROFF
TRACER