

# W

## Technical Specifications - J Series

J

*Opaque Cover "W" configuration - 4 cover screws, lift off cover*



### W Construction

<b>Material</b>	Hot compression molded fiberglass reinforced polyester (thermoset)
<b>Gasket</b>	Poured polyurethane seamless gasket provides watertight, dust-tight environmental seal
<b>Pan head screws</b>	Minimized protruding surfaces
<b>Stainless Steel Hardware</b>	300 Series stainless used on all external hardware
<b>Molded in Mounting Flange</b>	Molded in flange for ease of mounting.
<b>Mounting Bosses</b>	Panel mounting capability for fixed rear panel
<b>Metal inserts</b>	Back panel utilizes threaded brass inserts accepting 10-32 screws
<b>Soft Edge Design</b>	Rounded edges, minimal protrusions or exposed pocket areas for assembly of dust and debris
<b>Cover retention chain</b>	Stainless steel beaded chain for securing cover after lift off

### W Industry Standards

<b>UL/cUL 50</b>	File E64358 Type 1, 3R, 4X, 6P, 12
<b>NEMA 250</b>	Type 1, 3R, 4X, 6P, 12
<b>CSA Std C22.2</b>	File LR069014 Type 1, 3R, 4X, 6P, 12
<b>Temperature Range</b>	(-76°F to +274°F) (-60°C to +134°C)
<b>Flammability Rating</b>	UL94-5V
<b>Self Extinguishing</b>	Non-halogenated, non-flame propagating
<b>Chemical Resistance</b>	Full chemical resistance charts listed in appendix
<b>NFPA No. 101 Flame Spread</b>	Class A (1)

### NOTES:

### W Accessories

#### Back Panels

<b>Aluminum</b>	BP__AL	pg. 149 - 150
<b>Fiberglass</b>	BP__FG	pg. 149 - 150
<b>Stainless Steel</b>	BP__SS	pg. 149 - 150
<b>Carbon Steel</b>	BP__CS	pg. 149 - 150

#### Accessories

<b>Drain &amp; Breather Vents</b>	pg. 144, 146
<b>Hole Plugs</b>	pg. 145
<b>Assorted Hubs and Cord Grips</b>	pg. 145, 148
<b>All Other Accessories</b>	pg. 144 - 159

### W Modifications

<b>Custom Colors</b>	pg. 12 - 13
<b>Silk Screening</b>	pg. 12 - 13
<b>EMI/RFI Shielding</b>	pg. 12 - 13
<b>Custom Window</b>	pg. 12 - 13
<b>Custom Cutouts/Holes</b>	pg. 12 - 13

# HW

## Technical Specifications - J Series

J

*Opaque Cover "HW" configuration - Hinged, 2 cover screws*



### HW Construction

<b>Material</b>	Hot compression molded fiberglass reinforced polyester (thermoset). Available standard in Glacier Grey or White
<b>Gasket</b>	Poured polyurethane seamless gasket provides watertight, dust-tight environmental seal
<b>Pan head screws</b>	Minimized protruding surfaces
<b>Stainless Steel Hardware</b>	300 Series stainless used on all external hardware
<b>Molded in Mounting Flange</b>	Molded in flange for ease of mounting.
<b>Mounting Bosses</b>	Panel mounting capability for fixed rear panel
<b>Metal inserts</b>	Back panel utilizes threaded brass inserts accepting 10-32 screws
<b>Soft Edge Design</b>	Rounded edges, minimal protrusions or exposed pocket areas for assembly of dust and debris
<b>Color</b>	Available Standard in Glacier Grey or White

### HW Industry Standards

<b>UL/cUL 50</b>	File E64358 Type 1, 3R, 4X, 6P, 12
<b>NEMA 250</b>	Type 1, 3R, 4X, 6P, 12
<b>CSA Std C22.2</b>	File LR069014 Type 1, 3R, 4X, 6P, 12
<b>Temperature Range</b>	(-76°F to +274°F) (-60°C to +134°C)
<b>Flammability Rating</b>	UL94-5V
<b>Self Extinguishing</b>	Non-halogenated, non-flame propagating
<b>Chemical Resistance</b>	Full chemical resistance charts listed in appendix
<b>NFPA No. 101 Flame Spread</b>	Class A (1)

NOTES:

### HW Accessories

#### Back Panels

<b>Aluminum</b>	BP_AL	pg. 149 - 150
<b>Fiberglass</b>	BP_FG	pg. 149 - 150
<b>Stainless Steel</b>	BP_SS	pg. 149 - 150
<b>Carbon Steel</b>	BP_CS	pg. 149 - 150

#### Accessories

<b>Drain &amp; Breather Vents</b>	pg. 144, 146
<b>Hole Plugs</b>	pg. 145
<b>Assorted Hubs and Cord Grips</b>	pg. 145, 148
<b>All Other Accessories</b>	pg. 144 - 159

### HW Modifications

<b>Custom Colors</b>	pg. 12 - 13
<b>Silk Screening</b>	pg. 12 - 13
<b>EMI/RFI Shielding</b>	pg. 12 - 13
<b>Custom Window</b>	pg. 12 - 13
<b>Custom Cutouts/Holes</b>	pg. 12 - 13

# Technical Specifications - J Series

*Opaque Cover "HLL" configuration - Hinged, twist latch*



J Series

## HLL Construction

<b>Material</b>	Hot compression molded fiberglass reinforced polyester (thermoset)
<b>Gasket</b>	Poured polyurethane seamless gasket provides watertight, dust-tight environmental seal
<b>Pan head screws</b>	Minimized protruding surfaces
<b>Stainless Steel Hardware</b>	300 Series stainless used on all external hardware
<b>Molded in Mounting Flange</b>	Molded in flange for ease of mounting.
<b>Mounting Bosses</b>	Panel mounting capability for fixed rear panel
<b>Metal inserts</b>	Back panel utilizes threaded brass inserts accepting 10-32 screws
<b>Soft Edge Design</b>	Rounded edges, minimal protrusions or exposed pocket areas for assembly of dust and debris

## HLL Industry Standards

<b>UL/cUL 50</b>	File E64358 Type 1, 3R, 4X, 6P, 12
<b>NEMA 250</b>	Type 1, 3R, 4X, 6P, 12
<b>CSA Std C22.2</b>	File LR069014 Type 1, 3R, 4X, 6P, 12
<b>Temperature Range</b>	(-76°F to +274°F) (-60°C to +134°C)
<b>Flammability Rating</b>	UL94-5V
<b>Self Extinguishing</b>	Non-halogenated, non-flame propagating
<b>Chemical Resistance</b>	Full chemical resistance charts listed in appendix
<b>NFPA No. 101 Flame Spread</b>	Class A (1)

NOTES:

## HLL Accessories

### Back Panels

<b>Aluminum</b>	BP__AL	pg. 149 - 150
<b>Fiberglass</b>	BP__FG	pg. 149 - 150
<b>Stainless Steel</b>	BP__SS	pg. 149 - 150
<b>Carbon Steel</b>	BP__CS	pg. 149 - 150

### Accessories

<b>Drain &amp; Breather Vents</b>	pg. 144, 146
<b>Hole Plugs</b>	pg. 145
<b>Assorted Hubs and Cord Grips</b>	pg. 145, 148
<b>All Other Accessories</b>	pg. 144 - 159

## HLL Modifications

<b>Custom Colors</b>	pg. 12 - 13
<b>Silk Screening</b>	pg. 12 - 13
<b>EMI/RFI Shielding</b>	pg. 12 - 13
<b>Custom Window</b>	pg. 12 - 13
<b>Custom Cutouts/Holes</b>	pg. 12 - 13

## Technical Specifications - J Series

*Opaque Cover “HPL” configuration - Hinged, padlock latch*



### HPL Construction

<b>Material</b>	Hot compression molded fiberglass reinforced polyester (thermoset). Available standard in Glacier Grey or White
<b>Gasket</b>	Poured polyurethane seamless gasket provides watertight, dust-tight environmental seal
<b>Pan head screws</b>	Minimized protruding surfaces
<b>Stainless Steel Hardware</b>	300 Series stainless used on all external hardware
<b>Molded in Mounting Flange</b>	Molded in flange for ease of mounting.
<b>Mounting Bosses</b>	Panel mounting capability for fixed rear panel
<b>Metal inserts</b>	Back panel utilizes threaded brass inserts accepting 10-32 screws
<b>Soft Edge Design</b>	Rounded edges, minimal protrusions or exposed pocket areas for assembly of dust and debris
<b>Color</b>	Available Standard in Glacier Grey or White

### HPL Industry Standards

<b>UL/cUL 50</b>	File E64358 Type 1, 3R, 4X, 6P, 12
<b>NEMA 250</b>	Type 1, 3R, 4X, 6P, 12
<b>CSA Std C22.2</b>	File LR069014 Type 1, 3R, 4X, 6P, 12
<b>Temperature Range</b>	(-76°F to +274°F) (-60°C to +134°C)
<b>Flammability Rating</b>	UL94-5V
<b>Self Extinguishing</b>	Non-halogenated, non-flame propagating
<b>Chemical Resistance</b>	Full chemical resistance charts listed in appendix
<b>NFPA No. 101 Flame Spread</b>	Class A (1)

### NOTES:

### HPL Accessories

#### **Back Panels**

<b>Aluminum</b>	BP__AL	pg. 149 - 150
<b>Fiberglass</b>	BP__FG	pg. 149 - 150
<b>Stainless Steel</b>	BP__SS	pg. 149 - 150
<b>Carbon Steel</b>	BP__CS	pg. 149 - 150

#### **Accessories**

<b>Drain &amp; Breather Vents</b>	pg. 144, 146
<b>Hole Plugs</b>	pg. 145
<b>Assorted Hubs and Cord Grips</b>	pg. 145, 148
<b>All Other Accessories</b>	pg. 144 - 159

### HPL Modifications

<b>Custom Colors</b>	pg. 12 - 13
<b>Silk Screening</b>	pg. 12 - 13
<b>EMI/RFI Shielding</b>	pg. 12 - 13
<b>Custom Window</b>	pg. 12 - 13
<b>Custom Cutouts/Holes</b>	pg. 12 - 13

# Technical Specifications - J Series

J

*Opaque Cover "FHW" configuration - Fiberglass hinge, four cover screws*



## FHW Construction

<b>Material</b>	Hot compression molded fiberglass reinforced polyester (thermoset)
<b>Gasket</b>	Poured polyurethane seamless gasket provides watertight, dust-tight environmental seal
<b>Pan head screws</b>	Minimized protruding surfaces
<b>Stainless Steel Hardware</b>	300 Series stainless used on all external hardware
<b>Molded in Mounting Flange</b>	Molded in flange for ease of mounting.
<b>Mounting Bosses</b>	Panel mounting capability for fixed rear panel
<b>Metal inserts</b>	Back panel utilizes threaded brass inserts accepting 10-32 screws
<b>Soft Edge Design</b>	Rounded edges, minimal protrusions or exposed pocket areas for assembly of dust and debris
<b>Hinge Material</b>	Glass filled Polybutylene Terephthalate (PBT)

## FHW Industry Standards

<b>UL/cUL 50</b>	File E64358 Type 1, 3R, 4X, 6P, 12
<b>NEMA 250</b>	Type 1, 3R, 4X, 6P, 12
<b>CSA Std C22.2</b>	File LR069014 Type 1, 3R, 4X, 6P, 12
<b>Temperature Range</b>	(-76°F to +274°F) (-60°C to +134°C)
<b>Flammability Rating</b>	UL94-5V
<b>Self Extinguishing</b>	Non-halogenated, non-flame propagating
<b>Chemical Resistance</b>	Full chemical resistance charts listed in appendix
<b>NFPA No. 101 Flame Spread</b>	Class A (1)

## FHW Accessories

### Back Panels

<b>Aluminum</b>	BP_AL	pg. 149 - 150
<b>Fiberglass</b>	BP_FG	pg. 149 - 150
<b>Stainless Steel</b>	BP_SS	pg. 149 - 150
<b>Carbon Steel</b>	BP_CS	pg. 149 - 150

### Accessories

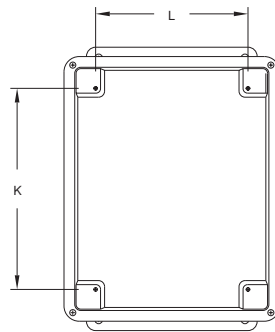
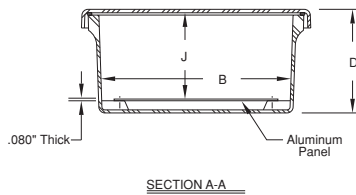
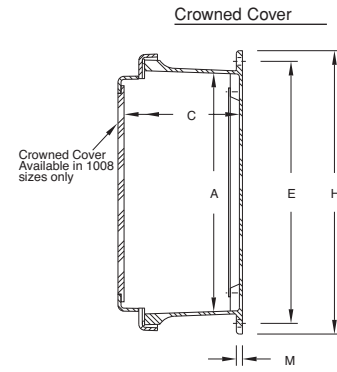
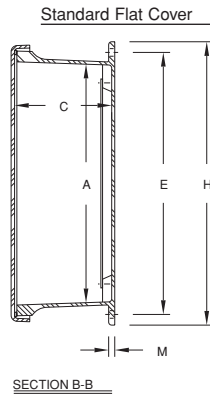
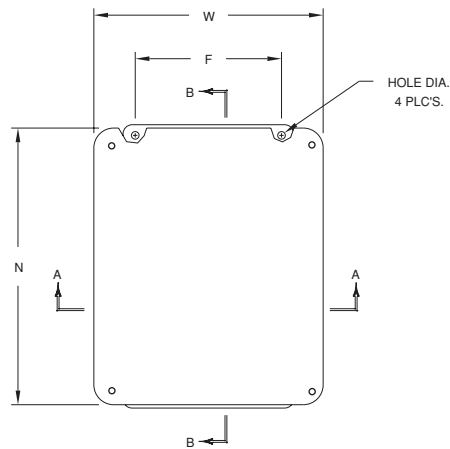
<b>Drain &amp; Breather Vents</b>	pg. 144, 146
<b>Hole Plugs</b>	pg. 145
<b>Assorted Hubs and Cord Grips</b>	pg. 145, 148
<b>All Other Accessories</b>	pg. 144 - 159

## FHW Modifications

<b>Custom Colors</b>	pg. 12 - 13
<b>Silk Screening</b>	pg. 12 - 13
<b>EMI/RFI Shielding</b>	pg. 12 - 13
<b>Custom Window</b>	pg. 12 - 13
<b>Custom Cutouts/Holes</b>	pg. 12 - 13

NOTES:

## J Series Technical Information



FRONT VIEW  
WITHOUT COVER

### J Series Enclosures - Opaque Cover

SIZE ID NUMBER	OVERALL H X W X D	INSIDE A X B X C	MOUNTING E X F	J	K	L	M	N	HOLE DIA.	SHIPPING WEIGHT	PANEL NUMBER
J1407W J1407HW*** J1407HLL J1407HPL*** J1407FHW	15.87 x 8.75 x 6.81 (403 x 222 x 173)	14.00 x 7.00 x 6.56 (356 x 178 x 167)	15.00 x 5.00 (381 x 127)	6.11 (155)	12.25 (311)	5.25 (133)	0.25 (6)	15.75 (400)	0.31 (8)	6.10 lbs.	BP1407**
J1412W J1412HW*** J1412HLL J1412HPL*** J1412FHW	15.50 x 13.48 x 6.20 (394 x 342 x 158)	13.50 x 11.52 x 5.94 (343 x 293 x 151)	14.62 x 10.00 (372 x 254)	5.36 (137)	12.25 (311)	10.25 (260)	0.25 (6)	15.48 (393)	0.31 (8)	9.90 lbs.	BP1412**
J1614W J1614HW*** J1614HLL J1614HPL*** J1614FHW	17.53 x 15.46 x 6.21 (445 x 393 x 157)	15.60 x 13.56 x 5.94 (396 x 344 x 151)	16.75 x 12.00 (425 x 305)	5.35 (136)	14.25 (362)	12.25 (311)	0.25 (6)	17.46 (444)	0.31 (8)	12.20 lbs.	BP1614**
J1816W J1816HW*** J1816HLL J1816HPL*** J1816FHW	19.63 x 17.61 x 8.81 (499 x 447 x 224)	17.69 x 15.69 x 8.45 (449 x 399 x 215)	18.88 x 12.00 (479 x 305)	7.98 (203)	16.25 (413)	14.25 (362)	0.25 (6)	19.61 (498)	0.31 (8)	20.00 lbs.	BP1816**
J2016W J2016HW*** J2016HLL J2016HPL*** J2016FHW	22.00 x 17.68 x 8.81 (559 x 449 x 224)	19.72 x 15.72 x 8.45 (501 x 399 x 215)	21.25 x 10.00 (540 x 254)	7.98 (203)	18.25 (464)	14.25 (362)	0.25 (6)	21.68 (551)	0.31 (8)	22.50 lbs.	BPJ2016**

All measures are in inches, items in parentheses are in millimeters.

\*Crowned cover – center of cover raised 3/4"

\*\* Panel ordered separately

\*\*\*Available in white by placing WH prior to part number ex. WH-J604HW

# W

## Technical Specifications - J Series

J

*Opaque Cover "W" configuration - 4 cover screws, lift off cover*



### W Construction

<b>Material</b>	Hot compression molded fiberglass reinforced polyester (thermoset)
<b>Gasket</b>	Poured polyurethane seamless gasket provides watertight, dust-tight environmental seal
<b>Pan head screws</b>	Minimized protruding surfaces
<b>Stainless Steel Hardware</b>	300 Series stainless used on all external hardware
<b>Molded in Mounting Flange</b>	Molded in flange for ease of mounting.
<b>Mounting Bosses</b>	Panel mounting capability for fixed rear panel
<b>Metal inserts</b>	Back panel utilizes threaded brass inserts accepting 10-32 screws
<b>Soft Edge Design</b>	Rounded edges, minimal protrusions or exposed pocket areas for assembly of dust and debris
<b>Cover retention chain</b>	Stainless steel beaded chain for securing cover after lift off

### W Industry Standards

<b>UL/cUL 50</b>	File E64358 Type 1, 3R, 4X, 6P, 12
<b>NEMA 250</b>	Type 1, 3R, 4X, 6P, 12
<b>CSA Std C22.2</b>	File LR069014 Type 1, 3R, 4X, 6P, 12
<b>Temperature Range</b>	(-76°F to +274°F) (-60°C to +134°C)
<b>Flammability Rating</b>	UL94-5V
<b>Self Extinguishing</b>	Non-halogenated, non-flame propagating
<b>Chemical Resistance</b>	Full chemical resistance charts listed in appendix
<b>NFPA No. 101 Flame Spread</b>	Class A (1)

### NOTES:

### W Accessories

#### Back Panels

<b>Aluminum</b>	BP__AL	pg. 149 - 150
<b>Fiberglass</b>	BP__FG	pg. 149 - 150
<b>Stainless Steel</b>	BP__SS	pg. 149 - 150
<b>Carbon Steel</b>	BP__CS	pg. 149 - 150

#### Accessories

<b>Drain &amp; Breather Vents</b>	pg. 144, 146
<b>Hole Plugs</b>	pg. 145
<b>Assorted Hubs and Cord Grips</b>	pg. 145, 148
<b>All Other Accessories</b>	pg. 144 - 159

### W Modifications

<b>Custom Colors</b>	pg. 12 - 13
<b>Silk Screening</b>	pg. 12 - 13
<b>EMI/RFI Shielding</b>	pg. 12 - 13
<b>Custom Window</b>	pg. 12 - 13
<b>Custom Cutouts/Holes</b>	pg. 12 - 13

# HW

## Technical Specifications - J Series

J

*Opaque Cover "HW" configuration - Hinged, 2 cover screws*



### HW Construction

<b>Material</b>	Hot compression molded fiberglass reinforced polyester (thermoset). Available standard in Glacier Grey or White
<b>Gasket</b>	Poured polyurethane seamless gasket provides watertight, dust-tight environmental seal
<b>Pan head screws</b>	Minimized protruding surfaces
<b>Stainless Steel Hardware</b>	300 Series stainless used on all external hardware
<b>Molded in Mounting Flange</b>	Molded in flange for ease of mounting.
<b>Mounting Bosses</b>	Panel mounting capability for fixed rear panel
<b>Metal inserts</b>	Back panel utilizes threaded brass inserts accepting 10-32 screws
<b>Soft Edge Design</b>	Rounded edges, minimal protrusions or exposed pocket areas for assembly of dust and debris
<b>Color</b>	Available Standard in Glacier Grey or White

### HW Industry Standards

<b>UL/cUL 50</b>	File E64358 Type 1, 3R, 4X, 6P, 12
<b>NEMA 250</b>	Type 1, 3R, 4X, 6P, 12
<b>CSA Std C22.2</b>	File LR069014 Type 1, 3R, 4X, 6P, 12
<b>Temperature Range</b>	(-76°F to +274°F) (-60°C to +134°C)
<b>Flammability Rating</b>	UL94-5V
<b>Self Extinguishing</b>	Non-halogenated, non-flame propagating
<b>Chemical Resistance</b>	Full chemical resistance charts listed in appendix
<b>NFPA No. 101 Flame Spread</b>	Class A (1)

NOTES:

### HW Accessories

#### Back Panels

<b>Aluminum</b>	BP_AL	pg. 149 - 150
<b>Fiberglass</b>	BP_FG	pg. 149 - 150
<b>Stainless Steel</b>	BP_SS	pg. 149 - 150
<b>Carbon Steel</b>	BP_CS	pg. 149 - 150

#### Accessories

<b>Drain &amp; Breather Vents</b>	pg. 144, 146
<b>Hole Plugs</b>	pg. 145
<b>Assorted Hubs and Cord Grips</b>	pg. 145, 148
<b>All Other Accessories</b>	pg. 144 - 159

### HW Modifications

<b>Custom Colors</b>	pg. 12 - 13
<b>Silk Screening</b>	pg. 12 - 13
<b>EMI/RFI Shielding</b>	pg. 12 - 13
<b>Custom Window</b>	pg. 12 - 13
<b>Custom Cutouts/Holes</b>	pg. 12 - 13



# Technical Specifications - J Series

## Opaque Cover "HLL" configuration - Hinged, twist latch



### HLL Construction

<b>Material</b>	Hot compression molded fiberglass reinforced polyester (thermoset)
<b>Gasket</b>	Poured polyurethane seamless gasket provides watertight, dust-tight environmental seal
<b>Pan head screws</b>	Minimized protruding surfaces
<b>Stainless Steel Hardware</b>	300 Series stainless used on all external hardware
<b>Molded in Mounting Flange</b>	Molded in flange for ease of mounting.
<b>Mounting Bosses</b>	Panel mounting capability for fixed rear panel
<b>Metal inserts</b>	Back panel utilizes threaded brass inserts accepting 10-32 screws
<b>Soft Edge Design</b>	Rounded edges, minimal protrusions or exposed pocket areas for assembly of dust and debris

### HLL Industry Standards

<b>UL/cUL 50</b>	File E64358 Type 1, 3R, 4X, 6P, 12
<b>NEMA 250</b>	Type 1, 3R, 4X, 6P, 12
<b>CSA Std C22.2</b>	File LR069014 Type 1, 3R, 4X, 6P, 12
<b>Temperature Range</b>	(-76°F to +274°F) (-60°C to +134°C)
<b>Flammability Rating</b>	UL94-5V
<b>Self Extinguishing</b>	Non-halogenated, non-flame propagating
<b>Chemical Resistance</b>	Full chemical resistance charts listed in appendix
<b>NFPA No. 101 Flame Spread</b>	Class A (1)

### NOTES:

### HLL Accessories

#### Back Panels

<b>Aluminum</b>	BP__AL	pg. 149 - 150
<b>Fiberglass</b>	BP__FG	pg. 149 - 150
<b>Stainless Steel</b>	BP__SS	pg. 149 - 150
<b>Carbon Steel</b>	BP__CS	pg. 149 - 150

#### Accessories

<b>Drain &amp; Breather Vents</b>	pg. 144, 146
<b>Hole Plugs</b>	pg. 145
<b>Assorted Hubs and Cord Grips</b>	pg. 145, 148
<b>All Other Accessories</b>	pg. 144 - 159

### HLL Modifications

<b>Custom Colors</b>	pg. 12 - 13
<b>Silk Screening</b>	pg. 12 - 13
<b>EMI/RFI Shielding</b>	pg. 12 - 13
<b>Custom Window</b>	pg. 12 - 13
<b>Custom Cutouts/Holes</b>	pg. 12 - 13

# Technical Specifications - J Series

*Opaque Cover "HPL" configuration - Hinged, padlock latch*



**NOTES:**

### HPL Construction

<b>Material</b>	Hot compression molded fiberglass reinforced polyester (thermoset). Available standard in Glacier Grey or White
<b>Gasket</b>	Poured polyurethane seamless gasket provides watertight, dust-tight environmental seal
<b>Pan head screws</b>	Minimized protruding surfaces
<b>Stainless Steel Hardware</b>	300 Series stainless used on all external hardware
<b>Molded in Mounting Flange</b>	Molded in flange for ease of mounting.
<b>Mounting Bosses</b>	Panel mounting capability for fixed rear panel
<b>Metal inserts</b>	Back panel utilizes threaded brass inserts accepting 10-32 screws
<b>Soft Edge Design</b>	Rounded edges, minimal protrusions or exposed pocket areas for assembly of dust and debris
<b>Color</b>	Available Standard in Glacier Grey or White

### HPL Industry Standards

<b>UL/cUL 50</b>	File E64358 Type 1, 3R, 4X, 6P, 12
<b>NEMA 250</b>	Type 1, 3R, 4X, 6P, 12
<b>CSA Std C22.2</b>	File LR069014 Type 1, 3R, 4X, 6P, 12
<b>Temperature Range</b>	(-76°F to +274°F) (-60°C to +134°C)
<b>Flammability Rating</b>	UL94-5V
<b>Self Extinguishing</b>	Non-halogenated, non-flame propagating
<b>Chemical Resistance</b>	Full chemical resistance charts listed in appendix
<b>NFPA No. 101 Flame Spread</b>	Class A (1)

### HPL Accessories

#### Back Panels

<b>Aluminum</b>	BP_AL	pg. 149 - 150
<b>Fiberglass</b>	BP_FG	pg. 149 - 150
<b>Stainless Steel</b>	BP_SS	pg. 149 - 150
<b>Carbon Steel</b>	BP_CS	pg. 149 - 150

#### Accessories

<b>Drain &amp; Breather Vents</b>	pg. 144, 146
<b>Hole Plugs</b>	pg. 145
<b>Assorted Hubs and Cord Grips</b>	pg. 145, 148
<b>All Other Accessories</b>	pg. 144 - 159

### HPL Modifications

<b>Custom Colors</b>	pg. 12 - 13
<b>Silk Screening</b>	pg. 12 - 13
<b>EMI/RFI Shielding</b>	pg. 12 - 13
<b>Custom Window</b>	pg. 12 - 13
<b>Custom Cutouts/Holes</b>	pg. 12 - 13

# Technical Specifications - J Series

J

*Opaque Cover "FHW" configuration - Fiberglass hinge, four cover screws*



## **FHW** Construction

<b>Material</b>	Hot compression molded fiberglass reinforced polyester (thermoset)
<b>Gasket</b>	Poured polyurethane seamless gasket provides watertight, dust-tight environmental seal
<b>Pan head screws</b>	Minimized protruding surfaces
<b>Stainless Steel Hardware</b>	300 Series stainless used on all external hardware
<b>Molded in Mounting Flange</b>	Molded in flange for ease of mounting.
<b>Mounting Bosses</b>	Panel mounting capability for fixed rear panel
<b>Metal inserts</b>	Back panel utilizes threaded brass inserts accepting 10-32 screws
<b>Soft Edge Design</b>	Rounded edges, minimal protrusions or exposed pocket areas for assembly of dust and debris
<b>Hinge Material</b>	Glass filled Polybutylene Terephthalate (PBT)

## **FHW** Industry Standards

<b>UL/cUL 50</b>	File E64358 Type 1, 3R, 4X, 6P, 12
<b>NEMA 250</b>	Type 1, 3R, 4X, 6P, 12
<b>CSA Std C22.2</b>	File LR069014 Type 1, 3R, 4X, 6P, 12
<b>Temperature Range</b>	(-76°F to +274°F) (-60°C to +134°C)
<b>Flammability Rating</b>	UL94-5V
<b>Self Extinguishing</b>	Non-halogenated, non-flame propagating
<b>Chemical Resistance</b>	Full chemical resistance charts listed in appendix
<b>NFPA No. 101 Flame Spread</b>	Class A (1)

### NOTES:

## **FHW** Accessories

### Back Panels

<b>Aluminum</b>	BP_AL	pg. 149 - 150
<b>Fiberglass</b>	BP_FG	pg. 149 - 150
<b>Stainless Steel</b>	BP_SS	pg. 149 - 150
<b>Carbon Steel</b>	BP_CS	pg. 149 - 150

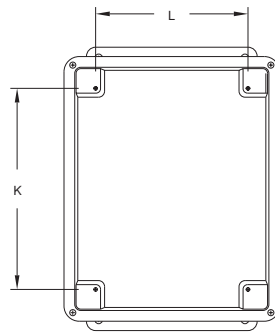
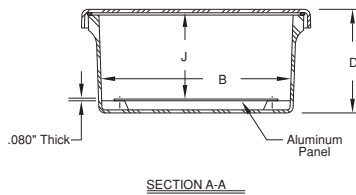
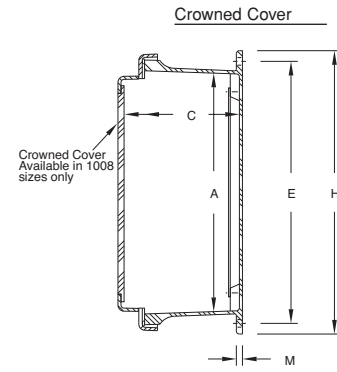
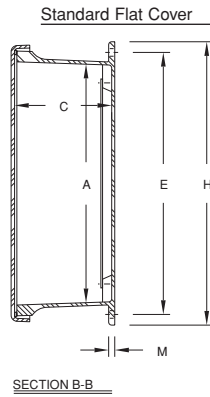
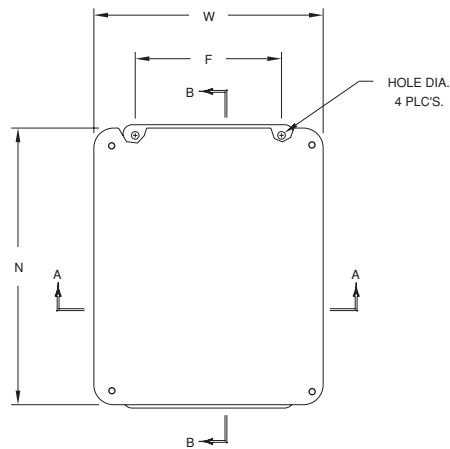
### Accessories

<b>Drain &amp; Breather Vents</b>	pg. 144, 146
<b>Hole Plugs</b>	pg. 145
<b>Assorted Hubs and Cord Grips</b>	pg. 145, 148
<b>All Other Accessories</b>	pg. 144 - 159

## **FHW** Modifications

<b>Custom Colors</b>	pg. 12 - 13
<b>Silk Screening</b>	pg. 12 - 13
<b>EMI/RFI Shielding</b>	pg. 12 - 13
<b>Custom Window</b>	pg. 12 - 13
<b>Custom Cutouts/Holes</b>	pg. 12 - 13

## J Series Technical Information



FRONT VIEW  
WITHOUT COVER

### J Series Enclosures - Opaque Cover

SIZE ID NUMBER	OVERALL H X W X D	INSIDE A X B X C	MOUNTING E X F	J	K	L	M	N	HOLE DIA.	SHIPPING WEIGHT	PANEL NUMBER
J1407W J1407HW*** J1407HLL J1407HPL*** J1407FHW	15.87 x 8.75 x 6.81 (403 x 222 x 173)	14.00 x 7.00 x 6.56 (356 x 178 x 167)	15.00 x 5.00 (381 x 127)	6.11 (155)	12.25 (311)	5.25 (133)	0.25 (6)	15.75 (400)	0.31 (8)	6.10 lbs.	BP1407**
J1412W J1412HW*** J1412HLL J1412HPL*** J1412FHW	15.50 x 13.48 x 6.20 (394 x 342 x 158)	13.50 x 11.52 x 5.94 (343 x 293 x 151)	14.62 x 10.00 (372 x 254)	5.36 (137)	12.25 (311)	10.25 (260)	0.25 (6)	15.48 (393)	0.31 (8)	9.90 lbs.	BP1412**
J1614W J1614HW*** J1614HLL J1614HPL*** J1614FHW	17.53 x 15.46 x 6.21 (445 x 393 x 157)	15.60 x 13.56 x 5.94 (396 x 344 x 151)	16.75 x 12.00 (425 x 305)	5.35 (136)	14.25 (362)	12.25 (311)	0.25 (6)	17.46 (444)	0.31 (8)	12.20 lbs.	BP1614**
J1816W J1816HW*** J1816HLL J1816HPL*** J1816FHW	19.63 x 17.61 x 8.81 (499 x 447 x 224)	17.69 x 15.69 x 8.45 (449 x 399 x 215)	18.88 x 12.00 (479 x 305)	7.98 (203)	16.25 (413)	14.25 (362)	0.25 (6)	19.61 (498)	0.31 (8)	20.00 lbs.	BP1816**
J2016W J2016HW*** J2016HLL J2016HPL*** J2016FHW	22.00 x 17.68 x 8.81 (559 x 449 x 224)	19.72 x 15.72 x 8.45 (501 x 399 x 215)	21.25 x 10.00 (540 x 254)	7.98 (203)	18.25 (464)	14.25 (362)	0.25 (6)	21.68 (551)	0.31 (8)	22.50 lbs.	BPJ2016**

All measures are in inches, items in parentheses are in millimeters.

\*Crowned cover – center of cover raised 3/4"

\*\* Panel ordered separately

\*\*\*Available in white by placing WH prior to part number ex. WH-J604HW