

HID-40-H-EX39-850-BYP-WP



UPC: 0019813749013

Color: White

Weight: 2.1 lbs

Project:

Type:

Prepared By:

Date:

Technical Specifications

Performance

Product Type:

HID Replacement

Input Wattage:

40W

Wattage Equivalency:

200W HID

Lumens:

6,200lm

Efficacy:

155lm/W

Construction

Shape:

Wall Pack

HID-40-H-EX39-850-BYP-WP



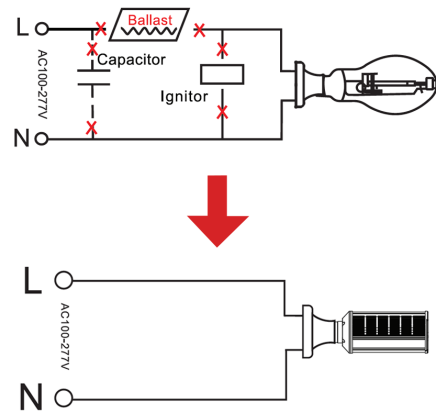
Minimum Compartment Size

Length x Width x Height [in]	Lamp Quantity
8	1

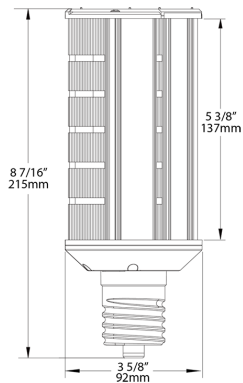
Case and Pallet Dimensions

	QTY	LENGTH (in)	WIDTH (in)	HEIGHT (in)
CASE	12	16.7	12.7	11
PALLET	288	27.3	35.4	37

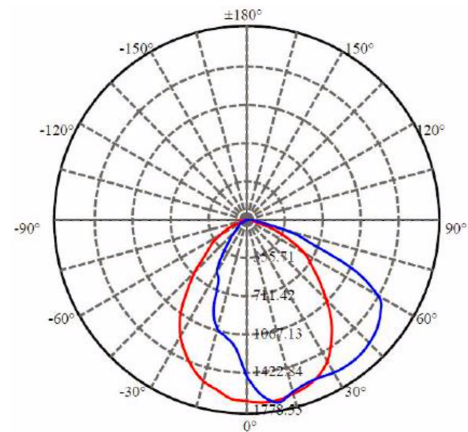
Wiring Diagram



Dimension



Light Distribution



Features

- Replacement for traditional Metal Halide or High Pressure Sodium HID Lamps
- Ideal for wall pack retrofit applications
- Optimized for Horizontal Applications with Directional Light Output and Rotatable base
- Active Cooling: Internal sensor overheat and engaged will automatically reduce output to 70% rated wattage until the sensor cools and will light up again to 100%
- Integral Driver enables lamp to be wired directly to line voltage without need for an external driver or ballast
- Rated for use in enclosed and open fixtures in dry or damp locations
- 4kV surge protection built in
- 50,000 hour Lifespan
- Environmentally friendly, no mercury used
- UL Listed, UL Classified, DLC Listed

HID-40-H-EX39-850-BYP-WP



Non-Dimmable

5 Year No Compromise Warranty

Ordering Matrix

Family		Wattage		Orientation		Base Type		CRI/Color Temp		Installation Type		Lamp Type
HID	-	40	-	H	-	EX39	-	850	-	BYP	-	WP
		20 = 20W 30 = 30W 40 = 40W 60 = 60W		H = Horizontal		EX39 = EX39 E26 = E26		850 = 5000K 840 = 4000K 830 = 3000K		BYP = Bypass		WP = Wall Pack