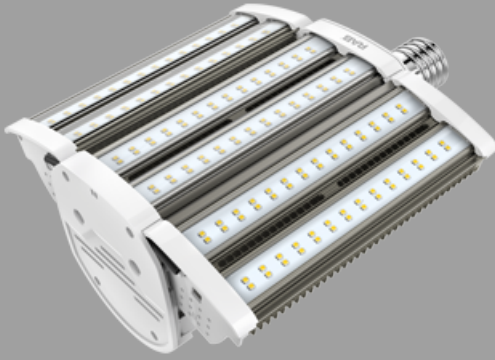


# HID-110-H-EX39-850-BYP-SB



UPC: 0019813749068

Color: White

Weight: 4.8 lbs

Project:

Type:

Prepared By:

Date:

## Technical Specifications

### Performance

**Product Type:**

HID Replacement

**Input Wattage:**

110W

**Wattage Equivalency:**

400W HID

**Lumens:**

13,800lm

**Efficacy:**

125lm/W

### Construction

**Shape:**

Shoebox

# HID-110-H-EX39-850-BYP-SB



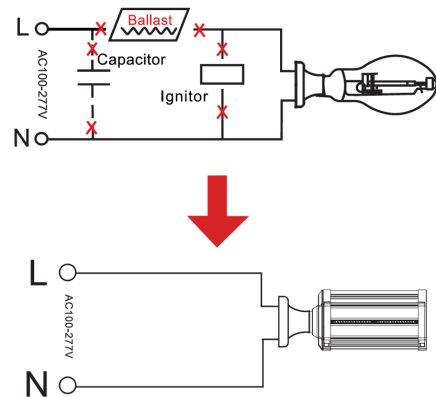
## Minimum Compartment Size

Length x Width x Height [in]	Lamp Quantity
11	1

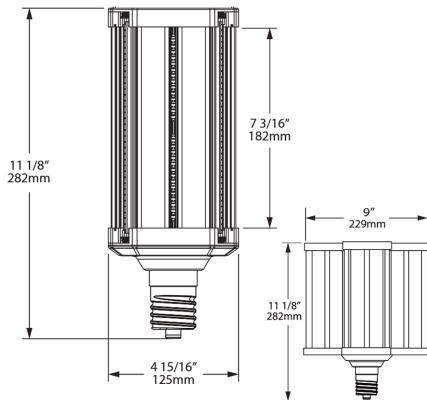
## Case and Pallet Dimensions

	QTY	LENGTH (in)	WIDTH (in)	HEIGHT (in)
CASE	6	17.5	13.3	14
PALLET	108	28.5	37	45.5

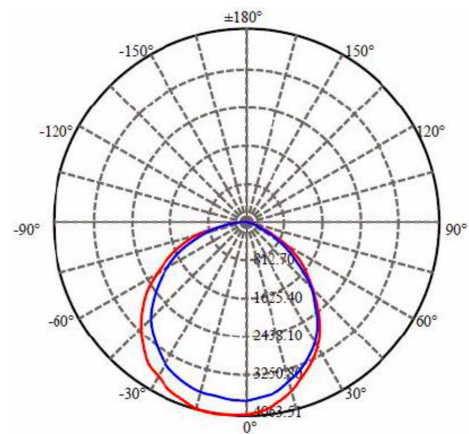
## Wiring Diagram



## Dimension



## Light Distribution



## Features

- Replacement for traditional Metal Halide or High Pressure Sodium HID Lamps
- Ideal for shoebox and canopy retrofit applications
- Optimized for Horizontal Applications with Directional Light Output and Rotatable base
- Active Cooling: Internal sensor overheat and engaged will automatically reduce output to 70% rated wattage until the sensor cools and will light up again to 100%
- Integral Driver enables lamp to be wired directly to line voltage without need for an external driver or ballast
- Rated for use in enclosed and open fixtures in dry or damp locations
- 4kV surge protection built in
- 50,000 hour Lifespan
- Environmentally friendly, no mercury used
- UL Listed, UL Classified

# HID-110-H-EX39-850-BYP-SB



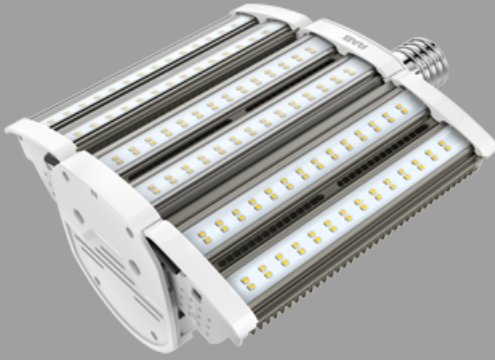
Non-Dimmable

5 Year No Compromise Warranty

## Ordering Matrix

Family	Wattage	Orientation	Base Type	CRI/Color Temp	Installation Type	Lamp Type	Generation
HID	110	H	EX39	850	BYP	SB	
	80 = 80W 110 = 110W	H = Horizontal	EX39 = EX39	850 = 5000K 840 = 4000K	BYP = Bypass	SB = Shoebox	G2 = Generation 2

# HID-110-H-EX39-850-BYP-SB



UPC: 0019813749068

Color: White

Weight: 4.8 lbs

Project:

Type:

Prepared By:

Date:

## Technical Specifications

### Performance

**Product Type:**

HID Replacement

**Input Wattage:**

110W

**Wattage Equivalency:**

400W HID

**Lumens:**

13,800lm

**Efficacy:**

125lm/W

### Construction

**Shape:**

Shoebox

# HID-110-H-EX39-850-BYP-SB



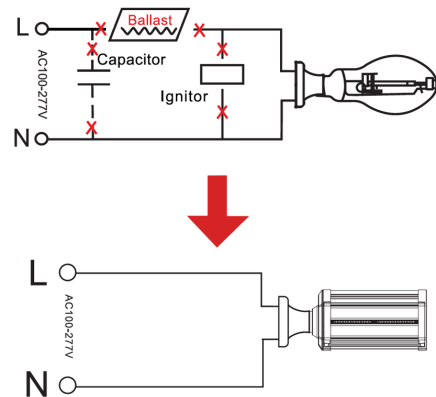
## Minimum Compartment Size

Length x Width x Height [in]	Lamp Quantity
11	1

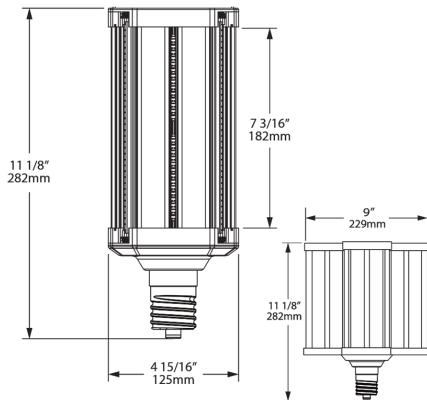
## Case and Pallet Dimensions

	QTY	LENGTH (in)	WIDTH (in)	HEIGHT (in)
CASE	6	17.5	13.3	14
PALLET	108	28.5	37	45.5

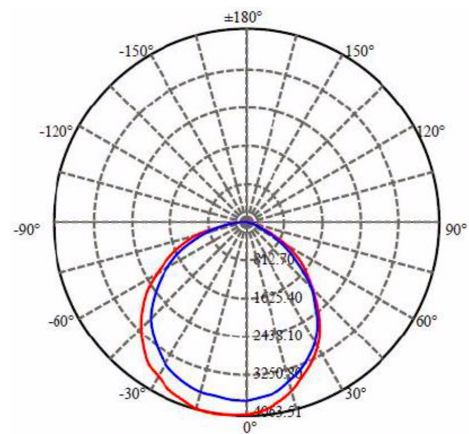
## Wiring Diagram



## Dimension



## Light Distribution



## Features

- Replacement for traditional Metal Halide or High Pressure Sodium HID Lamps
- Ideal for shoebox and canopy retrofit applications
- Optimized for Horizontal Applications with Directional Light Output and Rotatable base
- Active Cooling: Internal sensor overheat and engaged will automatically reduce output to 70% rated wattage until the sensor cools and will light up again to 100%
- Integral Driver enables lamp to be wired directly to line voltage without need for an external driver or ballast
- Rated for use in enclosed and open fixtures in dry or damp locations
- 4kV surge protection built in
- 50,000 hour Lifespan
- Environmentally friendly, no mercury used
- UL Listed, UL Classified

# HID-110-H-EX39-850-BYP-SB



Non-Dimmable

5 Year No Compromise Warranty

## Ordering Matrix

Family	Wattage	Orientation	Base Type	CRI/Color Temp	Installation Type	Lamp Type	Generation
HID	110	H	EX39	850	BYP	SB	
	80 = 80W 110 = 110W	H = Horizontal	EX39 = EX39	850 = 5000K 840 = 4000K	BYP = Bypass	SB = Shoebox	G2 = Generation 2