

Straight Blade Devices  
 20A, 250V, 2 Pole, 3 Wire Grounding  
 Insulgrip® Connector Body



**Features**

- Individual wiring terminals completely enclosed
- Powerful, offsetting cord grips clamp on individual conductors
- Fast lead assembly screws
- Beveled housing prevents snagging

**Ordering Information**

| Description           | Cord Diameter         | UPC          | Catalog Number |
|-----------------------|-----------------------|--------------|----------------|
| Black and white nylon | .230"-.720"(5.8-18.3) | 783585174853 | HBL5469C       |

**Listings**

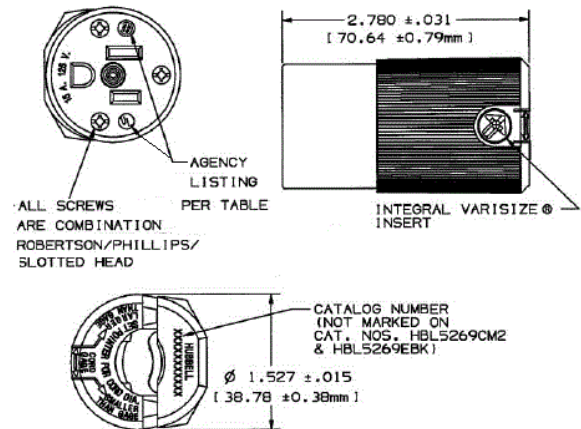
UL Listed to UL498 File E1706  
 CSA Certified to C22.2 No. 42 File 280  
 NEMA® WD-6 Compliant

**Specifications**

|                    |                              |
|--------------------|------------------------------|
| Housing/Cord Clamp | Nylon                        |
| Contact Holder     | Nylon                        |
| Terminal Retainer  | Clear Polycarbonate          |
| Contacts           | .040 in. (1.0) Brass         |
| Terminal Screws    | #8-32 Brass , multiple drive |
| Terminal Clamp     | Nickel plated steel          |
| Assembly Screws    | Nickel plated steel          |

**Performance**

| <b>Electrical</b>       |  |
|-------------------------|--|
| Current Interrupting    | Certified for current interrupting at full rated current |
| Dielectric Voltage      | Withstands 2,000V minimum                                |
| <b>Mechanical</b>       |  |
| Product Identification  | Ratings are a permanent part of the device               |
| Terminal Accommodation  | #18-10 AWG copper conductors only                        |
| Terminal Identification | Terminals identified in accordance with UL 498 and CSA   |
| <b>Environmental</b>    |  |
| Flammability            | UL 94 HB or better                                       |
| IP Suitability          | IP20   |
| Operating Temperatures  | Maximum continuous 75°C; minimum -40°C (w/o impact)      |



**Accessories**

|                   |         |
|-------------------|---------|
| Weatherproof Boot | HBL6018 |
|-------------------|---------|

**Resources**

Customer Use Drawing  
 eCatalog



Straight Blade Devices  
 20A, 250V, 2 Pole, 3 Wire Grounding  
 Insulgrip® Connector Body



**Features**

- Individual wiring terminals completely enclosed
- Powerful, offsetting cord grips clamp on individual conductors
- Fast lead assembly screws
- Beveled housing prevents snagging

**Ordering Information**

| Description           | Cord Diameter         | UPC          | Catalog Number |
|-----------------------|-----------------------|--------------|----------------|
| Black and white nylon | .230"-.720"(5.8-18.3) | 783585174853 | HBL5469C       |

**Listings**

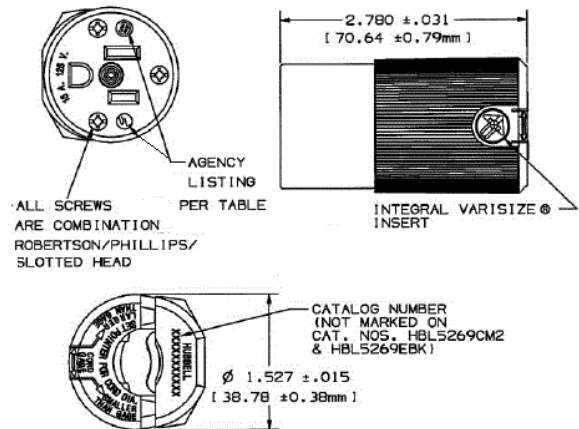
UL Listed to UL498 File E1706  
 CSA Certified to C22.2 No. 42 File 280  
 NEMA® WD-6 Compliant

**Specifications**

|                    |                              |
|--------------------|------------------------------|
| Housing/Cord Clamp | Nylon                        |
| Contact Holder     | Nylon                        |
| Terminal Retainer  | Clear Polycarbonate          |
| Contacts           | .040 in. (1.0) Brass         |
| Terminal Screws    | #8-32 Brass , multiple drive |
| Terminal Clamp     | Nickel plated steel          |
| Assembly Screws    | Nickel plated steel          |

**Performance**

| <b>Electrical</b>       |  |
|-------------------------|--|
| Current Interrupting    | Certified for current interrupting at full rated current |
| Dielectric Voltage      | Withstands 2,000V minimum                                |
| <b>Mechanical</b>       |  |
| Product Identification  | Ratings are a permanent part of the device               |
| Terminal Accommodation  | #18-10 AWG copper conductors only                        |
| Terminal Identification | Terminals identified in accordance with UL 498 and CSA   |
| <b>Environmental</b>    |  |
| Flammability            | UL 94 HB or better                                       |
| IP Suitability          | IP20   |
| Operating Temperatures  | Maximum continuous 75°C; minimum -40°C (w/o impact)      |



**Accessories**

|                   |         |
|-------------------|---------|
| Weatherproof Boot | HBL6018 |
|-------------------|---------|

**Resources**

Customer Use Drawing  
 eCatalog

Dimensions in Inches (mm)

Hubbell Wiring Device-Kellems • Hubbell Incorporated (Delaware) • 40 Waterview Drive • Shelton, CT 06484

Phone (800) 288-6000 • Fax (800) 255-1031 • Specifications subject to change without notice.

