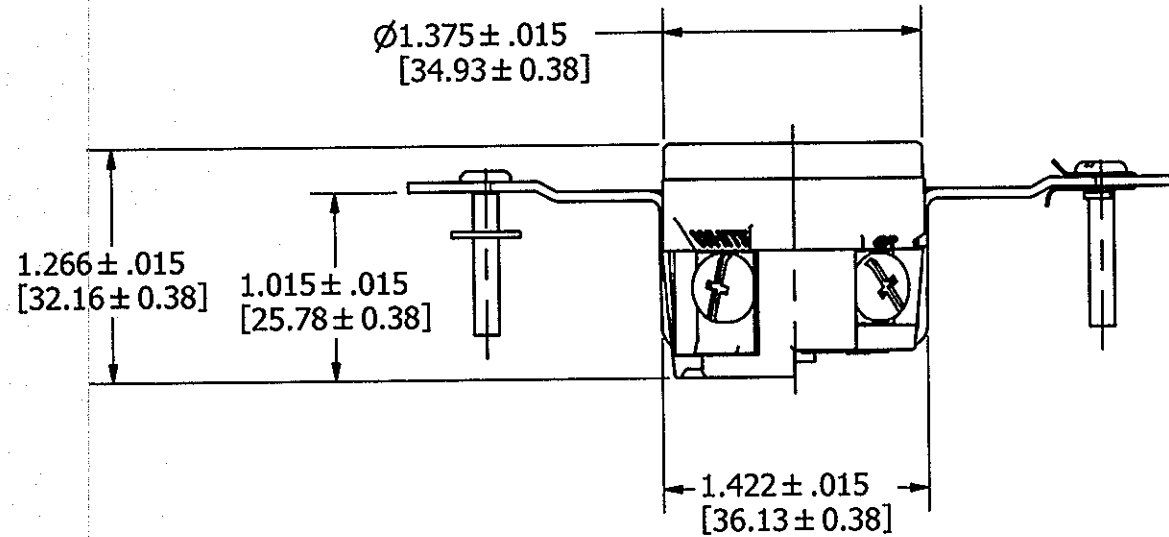
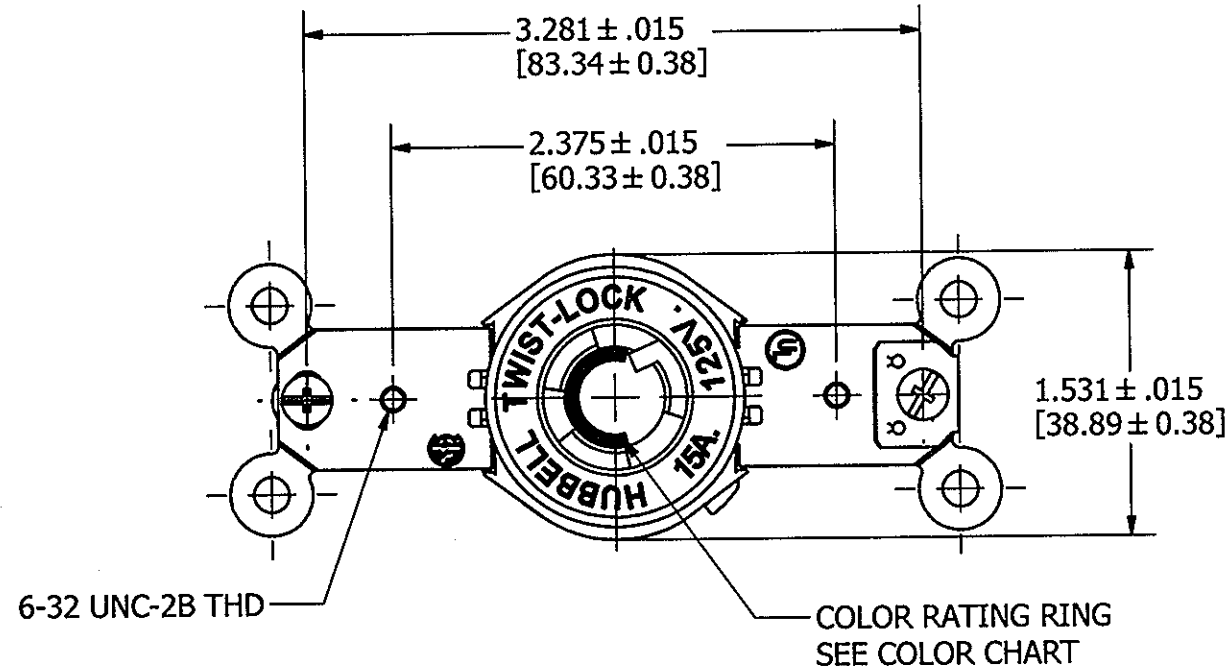


M-6540

3



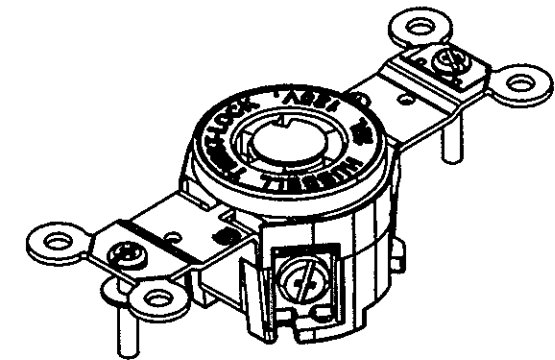
CAT. NO.	CONFIGURATION	RATING	RATING RING COLOR
4710 HBL4710RT	NEMA L5-15R	15A 125V	YELLOW
4560 HBL4560RT	NEMA L6-15R	15A 250V	BLUE
4760	NEMA L7-15R	15A 277V	GRAY

NOTES:

- DIMENSIONS ARE IN INCHES [mm]
- CATALOG NUMBERS WITH SUFFIX "RT" ARE CSA CERTIFIED AND UL RECOGNIZED FOR USE WITH RING TERMINALS.
- CATALOG NUMBERS WITH SUFFIX "RT" HAVE TERMINALS SCREWS PACKED SEPARATELY IN A POLYBAG.

LIST OF PARTS

DESCRIPTION	MATERIAL	FINISH
BASE	POLYESTER	
COVER	NYLON	
CONTACT SPRINGS	.031 BRASS	
CLAMPING PLATE	.031 BRASS	
GROUND CONTACT	.031 BRASS	
BRIDGE	.050 STEEL	ZINC PL.
BINDING SCREWS	BRASS	
HEX. HD. BIND. SCR.	BRASS	GREEN
FLAT HD. MTG. SCREW	STEEL	ZINC PL.
WASHER	.031 FIBER	RED
GROUND SPRING	STAINLESS STEEL	



CATALOG NO. HBL4710
NOT SHOWN TO SCALE

3	REDRAWN WITH EMBEDDED CAD MODEL WITH NO CHANGES TO PART GEOMETRY. PER DCN 21895 SPN	DJP	2/5/16
REV	DESCRIPTION	APP	DATE

THE DESIGN AND DIMENSIONS OF THE PRODUCT SHOWN ON THIS DRAWING ARE SUBJECT TO CHANGE WITHOUT NOTICE

TITLE
15A, 2 POLE, 3 WIRE GROUNDING SINGLE TWIST-LOCK RECEPTACLE

TOLERANCES UNLESS OTHERWISE SPECIFIED	WIRING DEVICE-KELLEMS HUBBELL INCORPORATED SHELTON, CT	
.XX = ± .01	DR. BY A.JL	APP. BY
.XXX = ± .005	TR. BY	SCALE 1:1
ANGLES = ± 2°	CHK. BY	DATE 1-8-87

DIMENSION SHEET FOR CAT. NO. SEE CHART

REPAIRABLE NON-REPAIRABLE

B

M-6540

3