

Watertight Devices  
15A, 125V, 2 Pole, 3 Wire  
Straight Blade Plug

# HUBBELL

## Features

- Smooth body design minimizes collection points simplifying the wash down process
- Strain relief nut always seals on the body, minimizing debris collection
- Stainless steel hardware and corrosion-resistant connection points



15A 125V  
NEMA 5-15P  
UL CSA



## Ordering Information

| Description                         | Cord Diameter               | UPC          | Catalog Number |
|-------------------------------------|-----------------------------|--------------|----------------|
| Thermoplastic elastomer yellow plug | 0.375"-0.625"<br>(9.5-15.9) | 783585131191 | HBL14W47A      |

## Listings

Listed to UL498  
Certified to CSA C22.2 No. 42  
Meets NEMA WD-1, WD-6 and ANSI standards  
UL Listed, CSA Certified to Type 4, 4X, 12, 6, 6P

## Specifications

|                     |                         |
|---------------------|-------------------------|
| Body                | Thermoplastic Elastomer |
| Blade Holder        | White Nylon             |
| Terminal Retainer   | Clear polycarbonate     |
| Blades              | Nickel plated brass     |
| Core                | White Nylon             |
| Bushing & Cone Seal | Black Elastomer         |
| Gotcha Ring         | Nylon                   |
| Strain Relief Nut   | PBT                     |
| Terminal Screws     | Nickel Plated Brass     |

## Performance

### Electrical

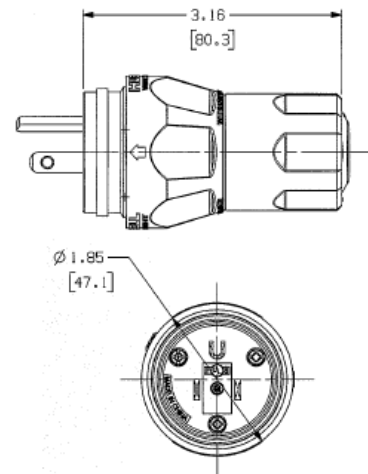
|                      |  |
|----------------------|--|
| Current Interrupting | Rated for current interruption per UL498 |
| Dielectric Voltage   | 2500V AC                                 |
| Max Working Voltage  | As marked                                |
| Temperature Rise     | 30°C max per UL498 at rated current      |

### Mechanical

|                   |                          |
|-------------------|--------------------------|
| Cord Accomodation | 0.375"-0.625" (9.5-15.9) |
|-------------------|--------------------------|

### Environmental

|                        |  |
|------------------------|--|
| Moisture Resistance    | UL Listed 4, 4X, 12, 6, 6P                 |
| Operating temperatures | -40°C (without impact) to +60°C continuous |
| UV resistance          | All exposed materials are UV stabilized    |



## Complementary Products

|                                       |           |
|---------------------------------------|-----------|
| Watertight Connector                  | HBL15W47A |
| Watertight Receptacle with Lift Cover | HBL60W47  |
| Watertight Duplex Receptacle          | HBL60W47D |

## Online Resources

eCatalog

Dimensions in Inches (mm)

Hubbell Wiring Device-Kellems • Hubbell Incorporated (Delaware) • 40 Waterview Drive • Shelton, CT 06484

Phone (800) 288-6000 • Fax (800) 255-1031 • Specifications subject to change without notice.



Watertight Devices  
15A, 125V, 2 Pole, 3 Wire  
Straight Blade Plug

# HUBBELL

## Features

- Smooth body design minimizes collection points simplifying the wash down process
- Strain relief nut always seals on the body, minimizing debris collection
- Stainless steel hardware and corrosion-resistant connection points



15A 125V  
NEMA 5-15P  
UL CSA



## Ordering Information

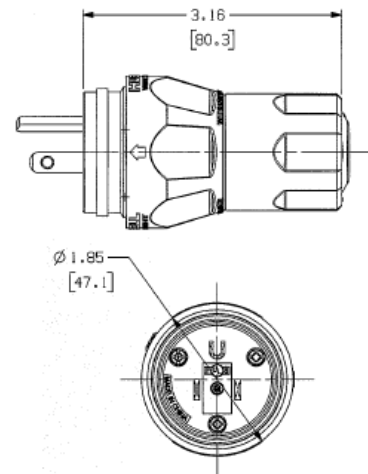
| Description                         | Cord Diameter               | UPC          | Catalog Number |
|-------------------------------------|-----------------------------|--------------|----------------|
| Thermoplastic elastomer yellow plug | 0.375"-0.625"<br>(9.5-15.9) | 783585131191 | HBL14W47A      |

## Listings

Listed to UL498  
Certified to CSA C22.2 No. 42  
Meets NEMA WD-1, WD-6 and ANSI standards  
UL Listed, CSA Certified to Type 4, 4X, 12, 6, 6P

## Specifications

|                     |                         |
|---------------------|-------------------------|
| Body                | Thermoplastic Elastomer |
| Blade Holder        | White Nylon             |
| Terminal Retainer   | Clear polycarbonate     |
| Blades              | Nickel plated brass     |
| Core                | White Nylon             |
| Bushing & Cone Seal | Black Elastomer         |
| Gotcha Ring         | Nylon                   |
| Strain Relief Nut   | PBT                     |
| Terminal Screws     | Nickel Plated Brass     |



## Performance

### Electrical

|                      |  |
|----------------------|--|
| Current Interrupting | Rated for current interruption per UL498 |
| Dielectric Voltage   | 2500V AC                                 |
| Max Working Voltage  | As marked                                |
| Temperature Rise     | 30°C max per UL498 at rated current      |

### Mechanical

|                   |                          |
|-------------------|--------------------------|
| Cord Accomodation | 0.375"-0.625" (9.5-15.9) |
|-------------------|--------------------------|

### Environmental

|                        |  |
|------------------------|--|
| Moisture Resistance    | UL Listed 4, 4X, 12, 6, 6P                 |
| Operating temperatures | -40°C (without impact) to +60°C continuous |
| UV resistance          | All exposed materials are UV stabilized    |

## Complementary Products

|                                       |           |
|---------------------------------------|-----------|
| Watertight Connector                  | HBL15W47A |
| Watertight Receptacle with Lift Cover | HBL60W47  |
| Watertight Duplex Receptacle          | HBL60W47D |

## Online Resources

eCatalog

Dimensions in Inches (mm)

Hubbell Wiring Device-Kellems • Hubbell Incorporated (Delaware) • 40 Waterview Drive • Shelton, CT 06484

Phone (800) 288-6000 • Fax (800) 255-1031 • Specifications subject to change without notice.

