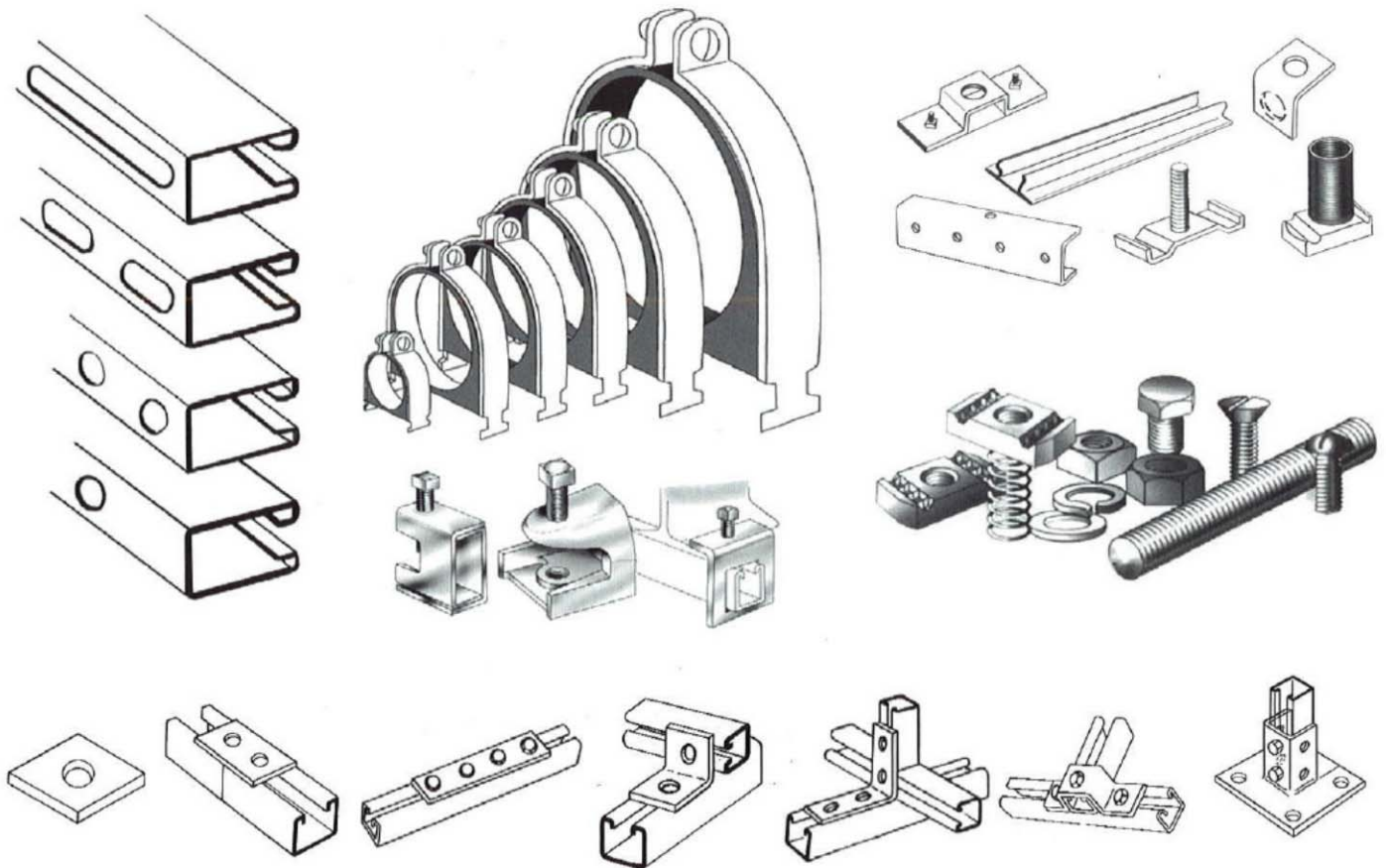


# HAYDON/H-Strut Division

## METAL FRAMING

### TRADE PRICE SCHEDULE



Haydon Corporation                      Haydon Corporation  
415 Hamburg Turnpike                  1139 W. N. Carrier Parkway  
Wayne, NJ 07470                          Grand Prairie, TX 75050  
(In NJ) 973/904-0800 (Outside NJ) 1-800-2-HAYDON  
Fax: 973/904-0016

Email: [sales@haydoncorp.com](mailto:sales@haydoncorp.com) • Website: [www.2haydon.com](http://www.2haydon.com)

EFFECTIVE 3-1-09

## PRICING INFORMATION

### NET CUTTING CHARGES

SINGLE  
DOUBLE

### SQUARE CUT

\$.50  
\$1.00

All re-cutting charges are not subject to discount.

Minimum order of 100 feet per profile and configuration.

### MINIMUM INVOICE:

\$100.00 per order plus delivery costs on all catalog items.

### RETURNS:

All returned merchandise is subject to the following Terms & Conditions:

1. Returns are subject to a 20% restocking charge.
2. Prior written permission from the factory must be obtained on all returns.
3. All requests for returns must be formally submitted to the factory within 30 days of shipment.
4. Prior to issuing of credit on returns, the merchandise is subject to inspection at our plant. Any re-working charges due to damage will be applied against credit.
5. All returns must be re-saleable in order to receive a credit on the merchandise.

### TERMS:

All invoices are due and payable on Net: 30 Day basis, unless otherwise agreed to in writing.

### FREIGHT:

All shipments are F.O.B. our dock or point of shipment, unless otherwise agreed to in writing.

### PACKAGING:

All pricing is based on Standard Packaging. Any deviation from the standard is subject to a \$5.00 per bundle repackaging charge.

## TABLE OF CONTENTS

<i>Page 4</i> .....	SECTION I <b>CHANNEL</b>
<i>Page 9</i> .....	SECTION II <b>GRIP NUTS &amp; HARDWARE</b>
<i>Page 14</i> .....	SECTION III <b>PIPE CLAMPS &amp; SUPPORTS</b>
<i>Page 18</i> .....	SECTION IV <b>CUSHION CLAMPS</b>
<i>Page 20</i> .....	SECTION V <b>GENERAL FITTINGS</b>
<i>Page 25</i> .....	SECTION VI <b>BEAM CLAMPS</b>
<i>Page 27</i> .....	SECTION VII <b>ELECTRICAL ACCESSORIES</b>
<i>Page 28</i> .....	SECTION VIII <b>CONCRETE INSERTS &amp; ACCESSORIES</b>
<i>Page 30</i> .....	SECTION IX <b>TRAPEZES &amp; BRACKETS</b>
<i>Page 31</i> .....	SECTION X <b>MINI STRUT/MINI STRUT LOCK NUTS</b>
<i>Page 32</i> .....	SECTION XI <b>STUD NUTS</b>
<i>Page 33</i> .....	<b>INDEX</b>

## SECTION I 1<sup>5</sup>/<sub>8</sub>" WIDE CHANNELS

### H-112 Series 3<sup>1</sup>/<sub>4</sub>" x 1<sup>5</sup>/<sub>8</sub>" 12 Ga.

CATALOG #	PER 100/FT. WT.	STD. PKG.	PLAIN	LIST PRICE PER 100/FT.		TYPE 304 STAINLESS*
				PRE GALV	GREEN	
H-112 x 10'	313#	300'	\$481.00	\$505.00	\$575.00	POA
H-112 x 20'	313#	600'	\$481.00	\$505.00	\$575.00	POA
H-112-OS x 10'	308#	300'	\$481.00	\$505.00	\$575.00	POA
H-112-OS x 20'	308#	600'	\$481.00	\$505.00	\$575.00	POA
H-112-RS x 10'	308#	300'	\$554.00	\$579.00	\$633.00	POA
H-112-RS x 20'	308#	600'	\$554.00	\$579.00	\$633.00	POA
H-112-OS3 x 10'	298#	300'	\$554.00	\$579.00	\$633.00	POA
H-112-OS3 x 20'	298#	600'	\$554.00	\$579.00	\$633.00	POA
H-112-KO x 10'	313#	300'	\$554.00	\$579.00	\$633.00	POA
H-112-KO x 20'	313#	600'	\$554.00	\$579.00	\$633.00	POA
H-112-A x 10'	626#	150'	\$1,059.00	\$1,109.00	\$1,216.00	POA
H-112-A x 20'	626#	200'	\$1,059.00	\$1,109.00	\$1,216.00	POA

### H-122 Series 2<sup>7</sup>/<sub>16</sub>" x 1<sup>5</sup>/<sub>8</sub>" 12 Ga.

CATALOG #	PER 100/FT. WT.	STD. PKG.	PLAIN	LIST PRICE PER 100/FT.		TYPE 304 STAINLESS*
				PRE GALV	GREEN	
H-122 x 10'	254#	400'	\$393.00	\$413.00	\$500.00	POA
H-122 x 20'	254#	800'	\$393.00	\$413.00	\$500.00	POA
H-122-OS x 10'	249#	400'	\$393.00	\$413.00	\$500.00	POA
H-122-OS x 20'	249#	800'	\$393.00	\$413.00	\$500.00	POA
H-122-RS x 10'	249#	400'	\$467.00	\$487.00	\$544.00	POA
H-122-RS x 20'	249#	800'	\$467.00	\$487.00	\$544.00	POA
H-122-OS3 x 10'	239#	400'	\$467.00	\$487.00	\$544.00	POA
H-122-OS3 x 20'	239#	800'	\$467.00	\$487.00	\$544.00	POA
H-122-KO x 10'	254#	400'	\$467.00	\$487.00	\$544.00	POA
H-122-KO x 20'	254#	800'	\$467.00	\$487.00	\$544.00	POA
H-122-A x 10'	508#	200'	\$884.00	\$925.00	\$1,040.00	POA
H-122-A x 20'	508#	200'	\$884.00	\$925.00	\$1,040.00	POA

**NOTE:**

\* 304 STAINLESS, 316 STAINLESS AVAILABLE, CONSULT FACTORY FOR PRICE.

ALUMINUM, HOT DIPPED GALV. AND PVC AVAILABLE, CONSULT FACTORY FOR PRICE.

POA — PRICE ON APPLICATION, CALL FACTORY.

## SECTION I 1<sup>5</sup>/<sub>8</sub>" WIDE CHANNELS

### H-132 Series 1<sup>5</sup>/<sub>8</sub>" x 1<sup>5</sup>/<sub>8</sub>" 12 Ga.

CATALOG #	PER 100/FT. WT.	STD. PKG.	PLAIN	LIST PRICE PER 100/FT.		TYPE 304 STAINLESS*
				PRE GALV	GREEN	
H-132 x 10'	194#	500'	\$242.00	\$255.00	\$277.00	POA
H-132 x 20'	194#	500'	\$242.00	\$255.00	\$277.00	POA
H-132-OS x 10'	189#	500'	\$242.00	\$255.00	\$277.00	POA
H-132-OS x 20'	189#	500'	\$242.00	\$255.00	\$277.00	POA
H-132-RS x 10'	189#	500'	\$301.00	\$313.00	\$336.00	POA
H-132-RS x 20'	189#	500'	\$301.00	\$313.00	\$336.00	POA
H-132-RS3 x 10'	179#	500'	\$345.00	\$357.00	\$380.00	POA
H-132-RS3 x 20'	179#	500'	\$345.00	\$357.00	\$380.00	POA
H-132-OS3 x 10'	179#	500'	\$301.00	\$313.00	\$336.00	POA
H-132-OS3 x 20'	179#	500'	\$301.00	\$313.00	\$336.00	POA
H-132-KO x 10'	194#	500'	\$301.00	\$313.00	\$336.00	POA
H-132-KO x 20'	194#	500'	\$301.00	\$313.00	\$336.00	POA
H-132-A x 10'	388#	250'	\$563.00	\$600.00	\$633.00	POA
H-132-A x 20'	388#	300'	\$563.00	\$600.00	\$633.00	POA
H-132-OSA x 10'	378#	250'	\$575.00	\$625.00	\$658.00	POA
H-132-OSA x 20'	378#	300'	\$575.00	\$625.00	\$658.00	POA
H-132-B x 10'	388#	250'	\$840.00	\$920.00	POA	POA
H-132-B x 20'	388#	300'	\$840.00	\$920.00	POA	POA
H-132-C x 10'	388#	250'	\$840.00	\$920.00	POA	POA
H-132-C x 20'	388#	300'	\$840.00	\$920.00	POA	POA
H-132-D x 10'	388#	250'	\$840.00	\$920.00	POA	POA
H-132-D x 20'	388#	300'	\$840.00	\$920.00	POA	POA

**NOTE:**

\* 304 STAINLESS, 316 STAINLESS AVAILABLE, CONSULT FACTORY FOR PRICE.

ALUMINUM, HOT DIPPED GALV. AND PVC AVAILABLE, CONSULT FACTORY FOR PRICE.

POA — PRICE ON APPLICATION, CALL FACTORY.

## SECTION I 1<sup>5</sup>/<sub>8</sub>" WIDE CHANNELS

### H-134 Series 1<sup>5</sup>/<sub>8</sub>" x 1<sup>5</sup>/<sub>8</sub>" 14 Ga.

CATALOG #	PER 100/FT. WT.	STD. PKG.	PLAIN	LIST PRICE PER 100/FT.		TYPE 304 STAINLESS*
				PRE GALV	GREEN	
H-134 x 10'	145#	500'	\$182.00	\$225.00	\$235.00	POA
H-134 x 20'	145#	500'	\$182.00	\$225.00	\$235.00	POA
H-134-OS x 10'	140#	500'	\$182.00	\$225.00	\$235.00	POA
H-134-OS x 20'	140#	500'	\$182.00	\$225.00	\$235.00	POA
H-134-RS x 10'	140#	500'	\$241.00	\$250.00	\$285.00	POA
H-134-RS x 20'	140#	500'	\$241.00	\$250.00	\$285.00	POA
H-134-OS3 x 10'	130#	500'	\$241.00	\$250.00	\$285.00	POA
H-134-OS3 x 20'	130#	500'	\$241.00	\$250.00	\$285.00	POA
H-134-KO x 10'	145#	500'	\$241.00	\$250.00	\$285.00	POA
H-134-KO x 20'	145#	500'	\$241.00	\$250.00	\$285.00	POA
H-134-A x 10'	290#	250'	\$460.00	\$520.00	\$585.00	POA
H-134-A x 20'	290#	300'	\$460.00	\$520.00	\$585.00	POA
H-134-OSA x 10'	280#	250'	\$485.00	\$545.00	\$610.00	POA
H-134-OSA x 20'	280#	300'	\$485.00	\$545.00	\$610.00	POA

### H-142 Series 1<sup>3</sup>/<sub>8</sub>" x 1<sup>5</sup>/<sub>8</sub>" 12 Ga.

CATALOG #	PER 100/FT. WT.	STD. PKG.	PLAIN	LIST PRICE PER 100/FT.		STAINLESS*
				PRE GALV	GREEN	
H-142 x 10'	176#	500'	\$274.00	\$289.00	\$315.00	POA
H-142 x 20'	176#	500'	\$274.00	\$289.00	\$315.00	POA
H-142-OS x 10'	171#	500'	\$274.00	\$289.00	\$315.00	POA
H-142-OS x 20'	171#	500'	\$274.00	\$289.00	\$315.00	POA
H-142-RS x 10'	171#	500'	\$348.00	\$363.00	\$389.00	POA
H-142-RS x 20'	171#	500'	\$348.00	\$363.00	\$389.00	POA
H-142-OS3 x 10'	161#	500'	\$348.00	\$363.00	\$389.00	POA
H-142-OS3 x 20'	161#	500'	\$348.00	\$363.00	\$389.00	POA
H-142-KO x 10'	176#	500'	\$348.00	\$363.00	\$389.00	POA
H-142-KO x 20'	176#	500'	\$348.00	\$363.00	\$389.00	POA
H-142-A x 10'	352#	250'	\$647.00	\$676.00	\$729.00	POA
H-142-A x 20'	352#	300'	\$647.00	\$676.00	\$729.00	POA

**NOTE:**

\* 304 STAINLESS, 316 STAINLESS AVAILABLE, CONSULT FACTORY FOR PRICE.

ALUMINUM, HOT DIPPED GALV. AND PVC AVAILABLE, CONSULT FACTORY FOR PRICE.

POA — PRICE ON APPLICATION, CALL FACTORY.

## SECTION I 1<sup>5</sup>/<sub>8</sub>" WIDE CHANNELS

### H-152 Series 1" x 1<sup>5</sup>/<sub>8</sub>" 12 Ga.

CATALOG #	PER 100/FT. WT.	STD. PKG.	PLAIN	LIST PRICE PER 100/FT.		
				PRE GALV	GREEN	STAINLESS*
H-152 x 10'	149#	500'	\$233.00	\$246.00	\$274.00	POA
H-152 x 20'	149#	500'	\$233.00	\$246.00	\$274.00	POA
H-152-OS x 10'	144#	500'	\$233.00	\$246.00	\$274.00	POA
H-152-OS x 20'	144#	500'	\$233.00	\$246.00	\$274.00	POA
H-152-RS x 10'	144#	500'	\$307.00	\$319.00	\$348.00	POA
H-152-RS x 20'	144#	500'	\$307.00	\$319.00	\$348.00	POA
H-152-OS3 x 10'	134#	500'	\$307.00	\$319.00	\$348.00	POA
H-152-OS3 x 20'	134#	500'	\$307.00	\$319.00	\$348.00	POA
H-152-KO x 10'	149#	500'	\$307.00	\$319.00	\$348.00	POA
H-152-KO x 20'	149#	500'	\$307.00	\$319.00	\$348.00	POA
H-152-A x 10'	298#	250'	\$565.00	\$589.00	\$647.00	POA
H-152-A x 20'	298#	300'	\$565.00	\$589.00	\$647.00	POA

### H-172 Series 7/8" x 1<sup>5</sup>/<sub>8</sub>" 12 Ga.

CATALOG #	PER 100/FT. WT.	STD. PKG.	PLAIN	LIST PRICE PER 100/FT.		
				PRE GALV	GREEN	STAINLESS*
H-172 x 10'	139#	500'	\$225.00	\$237.00	\$266.00	POA
H-172 x 20'	139#	500'	\$225.00	\$237.00	\$266.00	POA
H-172-OS x 10'	134#	500'	\$225.00	\$237.00	\$266.00	POA
H-172-OS x 20'	134#	500'	\$225.00	\$237.00	\$266.00	POA
H-172-RS x 10'	134#	500'	\$299.00	\$311.00	\$340.00	POA
H-172-RS x 20'	134#	500'	\$299.00	\$311.00	\$340.00	POA
H-172-OS3 x 10'	124#	500'	\$299.00	\$311.00	\$340.00	POA
H-172-OS3 x 20'	124#	500'	\$299.00	\$311.00	\$340.00	POA
H-172-KO x 10'	139#	500'	\$299.00	\$311.00	\$340.00	POA
H-172-KO x 20'	139#	500'	\$299.00	\$311.00	\$340.00	POA
H-172-A x 10'	278#	250'	\$549.00	\$576.00	\$630.00	POA
H-172-A x 20'	278#	300'	\$549.00	\$576.00	\$630.00	POA

**NOTE:**

\* 304 STAINLESS, 316 STAINLESS AVAILABLE, CONSULT FACTORY FOR PRICE.

ALUMINUM, HOT DIPPED GALV. AND PVC AVAILABLE, CONSULT FACTORY FOR PRICE.

POA — PRICE ON APPLICATION, CALL FACTORY.

## SECTION I 1<sup>5</sup>/<sub>8</sub>" WIDE CHANNELS

### H-162 Series

1<sup>3</sup>/<sub>16</sub>" x 1<sup>5</sup>/<sub>8</sub>" 12 Ga.

CATALOG #	PER 100/FT. WT.	STD. PKG.	PLAIN	LIST PRICE PER 100/FT.			STAINLESS*
				PRE GALV	GREEN		
H-162 x 10'	135#	500'	\$219.00	\$229.00	\$258.00		POA
H-162 x 20'	135#	500'	\$219.00	\$229.00	\$258.00		POA
H-162-OS x 10'	130#	500'	\$219.00	\$229.00	\$258.00		POA
H-162-OS x 20'	130#	500'	\$219.00	\$229.00	\$258.00		POA
H-162-RS x 10'	130#	500'	\$293.00	\$303.00	\$332.00		POA
H-162-RS x 20'	130#	500'	\$293.00	\$303.00	\$332.00		POA
H-162-OS3 x 10'	120#	500'	\$293.00	\$303.00	\$332.00		POA
H-162-OS3 x 20'	120#	500'	\$293.00	\$303.00	\$332.00		POA
H-162-KO x 10'	135#	500'	\$293.00	\$303.00	\$332.00		POA
H-162-KO x 20'	135#	500'	\$293.00	\$303.00	\$332.00		POA
H-162-A x 10'	270#	250'	\$573.00	\$557.00	\$614.00		POA
H-162-A x 20'	270#	300'	\$573.00	\$557.00	\$614.00		POA

### H-164 Series

1<sup>3</sup>/<sub>16</sub>" x 1<sup>5</sup>/<sub>8</sub>" 14 Ga.

CATALOG #	PER 100/FT. WT.	STD. PKG.	PLAIN	LIST PRICE PER 100/FT.			TYPE 304 STAINLESS*
				PRE GALV	GREEN		
H-164 x 10'	103#	500'	\$166.00	\$174.00	\$209.00		POA
H-164 x 20'	103#	500'	\$166.00	\$174.00	\$209.00		POA
H-164-OS x 10'	98#	500'	\$166.00	\$174.00	\$209.00		POA
H-164-OS x 20'	98#	500'	\$166.00	\$174.00	\$209.00		POA
H-164-RS x 10'	98#	500'	\$293.00	\$303.00	\$332.00		POA
H-164-RS x 20'	98#	500'	\$293.00	\$303.00	\$332.00		POA
H-164-OS3 x 10'	94#	500'	\$293.00	\$303.00	\$332.00		POA
H-164-OS3 x 20'	94#	500'	\$293.00	\$303.00	\$332.00		POA
H-164-KO x 10'	103#	500'	\$293.00	\$303.00	\$332.00		POA
H-164-KO x 20'	103#	500'	\$293.00	\$303.00	\$332.00		POA
H-164-A x 10'	206#	250'	\$431.00	\$447.00	\$516.00		POA
H-164-A x 20'	206#	300'	\$431.00	\$447.00	\$516.00		POA
H-164-OSA x 10'	196#	250'	\$456.00	\$472.00	\$541.00		POA
H-164-OSA x 20'	196#	300'	\$456.00	\$472.00	\$541.00		POA

**NOTE:**

\* 304 STAINLESS, 316 STAINLESS AVAILABLE, CONSULT FACTORY FOR PRICE.

ALUMINUM, HOT DIPPED GALV. AND PVC AVAILABLE, CONSULT FACTORY FOR PRICE.

POA — PRICE ON APPLICATION, CALL FACTORY.



**SECTION II GRIP LOCK NUTS  
& HARDWARE****Grip Nuts  
N-800 Series No Springs**

CATALOG #	WT./100	STD. PKG.	EZN	LIST PRICE/100	
				TYPE 316 STAINLESS	
N-800- <sup>1</sup> / <sub>4</sub> "	6#	100	\$51.00		POA
N-801- <sup>3</sup> / <sub>8</sub> "	9#	100	\$62.00		POA
N-802- <sup>1</sup> / <sub>2</sub> "	9#	100	\$63.00		POA
N-803- <sup>1</sup> / <sub>2</sub> "	12#	100	\$83.00		POA
N-804- <sup>5</sup> / <sub>8</sub> "	13#	100	\$155.00		POA
N-805- <sup>3</sup> / <sub>4</sub> "	13#	100	\$206.00		POA
N-806- <sup>5</sup> / <sub>8</sub> "	13#	100	\$118.00		POA
N-807- <sup>3</sup> / <sub>4</sub> "	13#	100	\$179.00		POA
N-808- <sup>5</sup> / <sub>16</sub> "	7#	100	\$71.00		POA
N-809- <sup>7</sup> / <sub>8</sub> "	13#	100	\$250.00		POA

**N-810 Series Short Springs**

CATALOG #	WT./100	STD. PKG.	EZN	LIST PRICE/100	
				TYPE 316 STAINLESS	
N-810- <sup>1</sup> / <sub>4</sub> "	7#	100	\$84.00		POA
N-811- <sup>3</sup> / <sub>8</sub> "	9#	100	\$100.00		POA
N-812- <sup>1</sup> / <sub>2</sub> "	9#	100	\$108.00		POA
N-814- <sup>5</sup> / <sub>8</sub> "	10#	100	\$175.00		POA
N-815- <sup>3</sup> / <sub>4</sub> "	9#	100	\$245.00		POA
N-818- <sup>5</sup> / <sub>16</sub> "	7#	100	\$147.00		POA

**N-820 Series Regular Springs**

CATALOG #	WT./100	STD. PKG.	EZN	LIST PRICE/100	
				TYPE 316 STAINLESS	
N-820- <sup>1</sup> / <sub>4</sub> "	7#	100	\$65.00		POA
N-821- <sup>3</sup> / <sub>8</sub> "	10#	100	\$75.00		POA
N-822- <sup>1</sup> / <sub>2</sub> "	10#	100	\$96.00		POA
N-823- <sup>1</sup> / <sub>2</sub> "	13#	100	\$106.00		POA
N-824- <sup>5</sup> / <sub>8</sub> "	13#	50	\$162.00		POA
N-825- <sup>3</sup> / <sub>4</sub> "	13#	50	\$284.00		POA
N-827- <sup>7</sup> / <sub>16</sub> "	10#	100	\$204.00		POA
N-828- <sup>5</sup> / <sub>16</sub> "	7#	100	\$94.00		POA
N-829- <sup>7</sup> / <sub>8</sub> "	13#	50	\$431.00		POA

NOTE: CONSULT OUR ENGINEERING CATALOG FOR ADDITIONAL INFORMATION.

**SECTION II GRIP LOCK NUTS  
& HARDWARE****Grip Nuts  
N-830 Series Long Springs**

CATALOG #	WT./100	STD. PKG.	LIST PRICE/100	
			EZN	TYPE 316 STAINLESS
N-830- <sup>1</sup> / <sub>4</sub> "	7#	50	\$132.00	POA
N-831- <sup>3</sup> / <sub>8</sub> "	10#	50	\$153.00	POA
N-832- <sup>1</sup> / <sub>2</sub> "	10#	50	\$159.00	POA
N-834- <sup>5</sup> / <sub>8</sub> "	13#	50	\$217.00	POA
N-835- <sup>3</sup> / <sub>4</sub> "	13#	50	\$261.00	POA
N-838- <sup>5</sup> / <sub>16</sub> "	7#	100	\$150.00	POA

**Mini-Nuts**

CATALOG #	WT./100	STD. PKG.	LIST PRICE/100
N-841- <sup>9</sup> / <sub>32</sub> "	1#	200	\$55.00
N-842- <sup>10</sup> / <sub>32</sub> "	1#	200	\$55.00
N-843- <sup>10</sup> / <sub>24</sub> "	1#	200	\$55.00
N-844- <sup>1</sup> / <sub>4</sub> "	1#	200	\$55.00
N-851- <sup>9</sup> / <sub>32</sub> "	1#	200	\$75.00
N-852- <sup>10</sup> / <sub>32</sub> "	1#	200	\$75.00
N-853- <sup>10</sup> / <sub>24</sub> "	1#	200	\$75.00
N-854- <sup>1</sup> / <sub>4</sub> "	1#	200	\$75.00
N-861- <sup>9</sup> / <sub>32</sub> "	1#	200	\$75.00
N-862- <sup>10</sup> / <sub>32</sub> "	1#	200	\$75.00
N-863- <sup>10</sup> / <sub>24</sub> "	1#	200	\$75.00
N-864- <sup>1</sup> / <sub>4</sub> "	1#	200	\$75.00

**TSN Series Top Springs**

CATALOG #	WT./100	STD. PKG.	LIST PRICE/100
			EZN
TSN-800- <sup>1</sup> / <sub>4</sub> "	6#	100	\$122.00
TSN-801- <sup>3</sup> / <sub>8</sub> "	9#	100	\$142.00
TSN-802- <sup>1</sup> / <sub>2</sub> "	9#	100	\$145.00
TSN-808- <sup>5</sup> / <sub>16</sub> "	7#	100	\$136.00

**Double Nuts**

CATALOG #	WT./100	STD. PKG.	LIST PRICE/100
			EZN
N-8771	18#	50	\$356.00

**Seismic Nuts**

CATALOG #	WT./100	STD. PKG.	LIST PRICE/100
			EZN
N-8700	16#	25	\$530.00

**SECTION II GRIP LOCK NUTS  
& HARDWARE****Hex Head Cap Screws**

CATALOG #	WT./100	STD. PKG.	LIST PRICE/100 EZN
1/4" x 1/2" HHCS	1#	100	\$20.00
1/4" x 3/4" HHCS	1.3#	100	\$22.50
1/4" x 1" HHCS	1.7#	100	\$22.50
3/8" x 3/4" HHCS	4#	100	\$22.50
3/8" x 1" HHCS	4.5#	100	\$23.50
3/8" x 1 1/4" HHCS	5.3#	100	\$26.50
3/8" x 1 1/2" HHCS	6.1#	100	\$34.00
3/8" x 2" HHCS	7.6#	100	\$36.00
3/8" x 2 1/4" HHCS	8.5#	100	\$37.00
1/2" x 1" HHCS	9.1#	100	\$37.00
1/2" x 1 1/4" HHCS	10#	100	\$42.50
1/2" x 1 1/2" HHCS	11.6#	100	\$54.00
1/2" x 1 3/4" HHCS	13.2#	100	\$60.00
1/2" x 2" HHCS	14.7#	100	\$69.00
1/2" x 2 1/4" HHCS	16#	100	\$72.00
1/2" x 2 1/2" HHCS	17.5#	100	\$74.00

**Flat Head Machine Screws**

CATALOG #	WT./100	STD. PKG.	LIST PRICE/100 EZN
1/4" x 5/8" FHMS	1.2#	100	\$8.00
5/16" x 1" FHMS	2.6#	100	\$27.00
3/8" x 2" FHMS	6.5#	100	\$37.00
3/8" x 2 1/4" FHMS	7.1#	100	\$44.00
3/8" x 2 1/2" FHMS	7.7#	100	\$46.00

**Round Head Machine Screws**

CATALOG #	WT./100	STD. PKG.	LIST PRICE/100 EZN
1/4" x 3/4" RHMS	1.2#	100	\$9.00
1/4" x 1" RHMS	1.5#	100	\$9.00
1/4" x 1 1/4" RHMS	1.8#	100	\$13.00
5/16" x 1" RHMS	2.6#	100	\$19.50
5/16" x 1 1/4" RHMS	3#	100	\$22.00
5/16" x 1 1/2" RHMS	3.6#	100	\$24.00
3/8" x 1" RHMS	4.1#	100	\$27.50
3/8" x 1 1/4" RHMS	4.7#	100	\$29.70
3/8" x 1 1/2" RHMS	5.3#	100	\$33.00
3/8" x 2" RHMS	7.7#	100	\$44.00

**SECTION II GRIP LOCK NUTS  
& HARDWARE****Lock Washers**

CATALOG #	WT./100	STD. PKG.	LIST PRICE/100 EZN	
1/4" LW	.3#	100	\$7.00	
3/8" LW	.7#	100	\$8.00	
1/2" LW	1.5#	100	\$12.50	

**Flat Washers**

CATALOG #	WT./100	STD. PKG.	LIST PRICE/100 EZN	
1/4" FW	.7#	100	\$5.00	
3/8" FW	1.5#	100	\$8.00	
1/2" FW	3.5#	100	\$15.00	

**Hex Nuts**

CATALOG #	WT./100	STD. PKG.	LIST PRICE/100 EZN	
1/4" HN	.6#	100	\$6.00	
5/16" HN	1.2#	100	\$7.00	
3/8" HN	1.6#	100	\$10.00	
1/2" HN	4.8#	100	\$12.00	

**Square Nuts**

CATALOG #	WT./100	STD. PKG.	LIST PRICE/100 EZN	
1/4" SN	.9#	100	\$14.20	
5/16" SN	1.6#	100	\$15.50	
3/8" SN	2.7#	100	\$21.50	
1/2" SN	5.8#	100	\$46.50	

**All-Thread Rods**

CATALOG #	WT./100	STD. PKG.	LIST PRICE PER 100/FT.	
			EZN	PLAIN
1/4" TR	12#	600'	POA	POA
3/8" TR	30#	300'	POA	POA
1/2" TR	54#	150'	POA	POA
5/8" TR	85#	90'	POA	POA
3/4" TR	125#	60'	POA	POA

**SECTION II GRIP LOCK NUTS  
& HARDWARE****Rod Couplings**

CATALOG #	WT./100	STD. PKG.	LIST PRICE/100
1/4" RC	2#	100	\$70.00
3/8" RC	11#	100	\$100.00
1/2" RC	11#	100	\$140.00
5/8" RC	16#	100	\$250.00
3/4" RC	28#	100	\$400.00

**U-Bolts**

CATALOG #	WT./100	STD. PKG.	LIST PRICE/100
1/2" UB	8#	BULK	\$94.00
3/4" UB	9#	BULK	\$100.00
1" UB	10#	BULK	\$113.00
1 1/4" UB	27#	BULK	\$159.00
1 1/2" UB	30#	BULK	\$165.00
2" UB	34#	BULK	\$176.00
2 1/2" UB	72#	BULK	\$300.00
3" UB	80#	BULK	\$305.80
4" UB	95#	BULK	\$368.00
5" UB	113#	BULK	\$446.00
6" UB	124#	BULK	\$914.00
8" UB	210#	BULK	\$1,100.00
10" UB	268#	BULK	\$2,285.00
12" UB	320#	BULK	\$2,800.00

## SECTION III PIPE CLAMPS & SUPPORTS

### Pipe Clamps C-1100 Series EMT Clamps

CATALOG #	WT./100	STD. PKG.	LIST PRICE/100	
			EZN	TYPE 304 STAINLESS
C-1100-3/8"	10#	100	\$105.00	POA
C-1100-1/2"	11#	100	\$90.00	POA
C-1100-3/4"	12#	100	\$95.00	POA
C-1100-1"	15#	100	\$100.00	POA
C-1100-1 1/4"	18#	100	\$105.00	POA
C-1100-1 1/2"	29#	50	\$124.00	POA
C-1100-2"	33#	50	\$130.00	POA

### C-1102 Series Rigid Conduit Clamps

CATALOG #	WT./100	STD. PKG.	ALUM.	LIST PRICE/100	
				EZN	TYPE 304 STAINLESS
C-1102-1/4"	* 12#	100	POA	\$111.00	POA
C-1102-3/8"	* 12#	100	POA	\$120.00	POA
C-1102-1/2"	* 13#	100	\$178.00	\$65.00	\$283.00
C-1102-3/4"	* 15#	100	\$189.00	\$76.00	\$301.00
C-1102-1"	* 18#	100	\$199.00	\$87.00	\$327.00
C-1102-1 1/4"	* 22#	50	\$225.00	\$98.00	\$365.00
C-1102-1 1/2"	* 32#	50	\$289.00	\$117.00	\$599.00
C-1102-2"	* 37#	50	\$296.00	\$122.00	\$663.00
C-1102-2 1/2"	* 42#	50	\$305.00	\$150.00	\$733.00
C-1102-3"	* 49#	50	\$330.00	\$166.00	\$817.00
C-1102-3 1/2"	* 65#	25	\$545.00	\$194.00	\$1,137.00
C-1102-4"	* 69#	25	\$587.00	\$200.00	\$1,342.00
C-1102-5"	* 82#	20	POA	\$265.00	POA
C-1102-6"	* 107#	20	POA	\$385.00	POA
C-1102-8"	* 133#	BULK	POA	\$514.00	POA
C-1102-10"	* 143#	BULK	POA	\$848.00	POA

\* ONLY EZN & STAINLESS, CONSULT FACTORY FOR ALUMINUM.

### C-1104 Series Universal Clamps

CATALOG #	WT./100	STD. PKG.	LIST PRICE/100	
			EZN	
C-1104-1/2"	13#	100	\$70.00	
C-1104-3/4"	14#	100	\$72.00	
C-1104-1"	18#	100	\$84.00	
C-1104-1 1/4"	21#	50	\$93.00	
C-1104-1 1/2"	23#	50	\$99.00	
C-1104-2"	24#	50	\$106.00	

NOTE: OTHER FINISHES ARE AVAILABLE, CONSULT FACTORY FOR PRICING.  
POA — PRICE ON APPLICATION.

**SECTION III PIPE CLAMPS  
& SUPPORTS****C-1101 Series Tubing Clamps — Electro Galvanized**

CATALOG #	WT./100	STD. PKG.	LIST PRICE/100 EZN
C-1101-1/4" OD	8#	100	\$120.00
C-1101-3/8" OD	8#	100	\$120.00
C-1101-1/2" OD	8#	100	\$120.00
C-1101-5/8" OD	9#	100	\$120.00
C-1101-3/4" OD	11#	100	\$120.00
C-1101-7/8" OD	11#	100	\$120.00
C-1101-1" OD	13#	100	\$120.00
C-1101-1 1/8" OD	13#	100	\$120.00
C-1101-1 1/4" OD	14#	100	\$120.00
C-1101-1 3/8" OD	16#	100	\$125.00
C-1101-1 1/2" OD	18#	100	\$175.00
C-1101-1 5/8" OD	19#	100	\$175.00
C-1101-1 3/4" OD	27#	50	\$200.00
C-1101-1 7/8" OD	28#	50	\$200.00
C-1101-2" OD	31#	50	\$200.00
C-1101-2 1/8" OD	31#	50	\$210.00
C-1101-2 1/4" OD	33#	50	\$210.00
C-1101-2 3/8" OD	34#	50	\$210.00
C-1101-2 1/2" OD	35#	50	\$220.00
C-1101-2 5/8" OD	36#	50	\$220.00
C-1101-2 3/4" OD	37#	50	\$220.00
C-1101-2 7/8" OD	39#	50	\$240.00
C-1101-3" OD	41#	50	\$240.00
C-1101-3 1/8" OD	42#	25	\$240.00
C-1101-3 1/4" OD	42#	25	\$250.00
C-1101-3 3/8" OD	43#	25	\$250.00
C-1101-3 1/2" OD	44#	25	\$250.00
C-1101-3 5/8" OD	56#	25	\$290.00
C-1101-3 3/4" OD	57#	25	\$290.00
C-1101-3 7/8" OD	57#	25	\$290.00
C-1101-4" OD	61#	25	\$300.00
C-1101-4 1/8" OD	61#	25	\$300.00
C-1101-4 1/4" OD	64#	25	\$305.00
C-1101-4 3/8" OD	64#	25	\$310.00
C-1101-4 1/2" OD	66#	25	\$320.00
C-1101-4 5/8" OD	66#	25	\$325.00
C-1101-4 3/4" OD	68#	25	\$330.00
C-1101-4 7/8" OD	69#	25	\$330.00
C-1101-5" OD	70#	25	\$350.00
C-1101-5 1/8" OD	70#	25	\$350.00
C-1101-5 1/4" OD	70#	25	\$350.00
C-1101-5 3/8" OD	77#	25	\$350.00
C-1101-5 1/2" OD	78#	25	\$360.00
C-1101-5 5/8" OD	83#	25	\$420.00
C-1101-5 3/4" OD	84#	25	\$440.00
C-1101-5 7/8" OD	85#	25	\$440.00

**SECTION III PIPE CLAMPS  
& SUPPORTS****C-1101 Series Tubing Clamps — Electro Galvanized - cont'd.**

CATALOG #	WT./100	STD. PKG.	LIST PRICE/100 EZN
C-1101-6" OD	87#	25	\$450.00
C-1101-6 <sup>1</sup> / <sub>8</sub> " OD	94#	25	\$460.00
C-1101-6 <sup>1</sup> / <sub>4</sub> " OD	96#	25	\$460.00
C-1101-6 <sup>3</sup> / <sub>8</sub> " OD	98#	25	\$525.00
C-1101-6 <sup>1</sup> / <sub>2</sub> " OD	99#	25	\$550.00
C-1101-6 <sup>5</sup> / <sub>8</sub> " OD	100#	25	\$575.00
C-1101-6 <sup>3</sup> / <sub>4</sub> " OD	102#	25	\$600.00
C-1101-6 <sup>7</sup> / <sub>8</sub> " OD	104#	BULK	\$625.00
C-1101-7" OD	106#	BULK	\$700.00
C-1101-7 <sup>1</sup> / <sub>8</sub> " OD	108#	BULK	\$735.00
C-1101-7 <sup>3</sup> / <sub>8</sub> " OD	112#	BULK	\$735.00
C-1101-7 <sup>5</sup> / <sub>8</sub> " OD	115#	BULK	\$740.00
C-1101-7 <sup>7</sup> / <sub>8</sub> " OD	119#	BULK	\$750.00
C-1101-8" OD	121#	BULK	\$760.00

NOTE: OTHER FINISHES &amp; SIZES ARE AVAILABLE, CONSULT FACTORY FOR PRICING.

**C-1101 Series Copper Tubing Clamps**

CATALOG #	WT./100	STD. PKG.	LIST PRICE/100 CPR
C-1101- <sup>1</sup> / <sub>4</sub> " CT	* 8#	100	\$94.00
C-1101- <sup>3</sup> / <sub>8</sub> " CT	* 8#	100	\$99.00
C-1101- <sup>1</sup> / <sub>2</sub> " CT	* 9#	100	\$102.00
C-1101- <sup>5</sup> / <sub>8</sub> " CT	* 11#	100	\$146.00
C-1101- <sup>3</sup> / <sub>4</sub> " CT	* 11#	100	\$112.00
C-1101-1" CT	* 13#	100	\$118.00
C-1101-1 <sup>1</sup> / <sub>4</sub> " CT	* 16#	100	\$142.00
C-1101-1 <sup>1</sup> / <sub>2</sub> " CT	* 19#	100	\$153.00
C-1101-2" CT	* 31#	50	\$162.00
C-1101-2 <sup>1</sup> / <sub>2</sub> " CT	* 36#	50	\$280.00
C-1101-3" CT	* 42#	50	\$320.00
C-1101-3 <sup>1</sup> / <sub>2</sub> " CT	* 56#	50	\$350.00
C-1101-4" CT	* 61#	25	\$375.00
C-1101-5" CT	* 73#	25	\$450.00
C-1101-6" CT	* 92#	25	\$560.00
C-1101-8" CT	* 121#	BULK	\$600.00

NOTE: OTHER SIZES ARE AVAILABLE, CONSULT FACTORY FOR PRICING.

\* TUBE SIZE — NOT OD.



**SECTION III PIPE CLAMPS  
& SUPPORTS****C-1107 Series Parallel Pipe Clamps**

CATALOG #	WT./100	STD. PKG.	LIST PRICE/100 EZN
C-1107-3/8"	24#	100	\$295.00
C-1107-1/2"	26#	50	\$300.00
C-1107-3/4"	30#	50	\$315.00
C-1107-1"	33#	50	\$325.00
C-1107-1 1/4"	36#	50	\$350.00
C-1107-1 1/2"	50#	50	\$430.00
C-1107-2"	55#	25	\$450.00
C-1107-2 1/2"	60#	25	\$500.00
C-1107-3"	66#	25	\$530.00
C-1107-3 1/2"	85#	25	\$580.00
C-1107-4"	95#	25	\$630.00

**C-1108 Series 2 Hole Pipe Straps**

CATALOG #	WT./100	STD. PKG.	LIST PRICE/100 EZN
C-1108-1/2"	23#	25	\$220.00
C-1108-3/4"	27#	25	\$240.00
C-1108-1"	31#	25	\$260.00
C-1108-1 1/4"	36#	25	\$265.00
C-1108-1 1/2"	39#	25	\$275.00
C-1108-2"	93#	25	\$450.00
C-1108-2 1/2"	106#	25	\$495.00
C-1108-3"	132#	BULK	\$550.00
C-1108-3 1/2"	151#	BULK	\$620.00
C-1108-4"	160#	BULK	\$650.00
C-1108-5"	192#	BULK	\$850.00
C-1108-6"	219#	BULK	\$1,020.00

**C-1109 Series 1 Hole Tubing Clamps**

CATALOG #	WT./100	STD. PKG.	LIST PRICE/100 EZN
C-1109-1/4"	3#	100	\$71.00
C-1109-5/16"	3#	100	\$72.00
C-1109-3/8"	4#	100	\$73.00
C-1109-1/2"	4#	100	\$74.00
C-1109-5/8"	6#	100	\$76.00
C-1109-3/4"	6#	100	\$77.00
C-1109-7/8"	6#	100	\$78.00
C-1109-1"	7#	100	\$80.00

NOTE: OTHER FINISHES ARE AVAILABLE, CONSULT FACTORY FOR PRICING.

**SECTION IV CUSHION CLAMPS****C-100000 Cushion Clamps — Tubing Size**

CATALOG #	WT./100	STD. PKG.	LIST PRICE/EA
C-100025-1/4"	10#	24	\$2.60
C-100037-3/8"	11#	24	\$2.60
C-100050-1/2"	13#	24	\$2.70
C-100062-5/8"	14#	24	\$2.75
C-100075-3/4"	14#	24	\$2.95
C-100087-7/8"	15#	24	\$3.40
C-100100-1"	17#	12	\$4.00
C-100112-1 1/8"	18#	12	\$4.50
C-100125-1 1/4"	18#	12	\$4.80
C-100137-1 3/8"	20#	12	\$5.20
C-100150-1 1/2"	33#	12	\$5.60
C-100162-1 5/8"	35#	12	\$6.20
C-100175-1 3/4"	37#	BULK	\$7.30
C-100187-1 7/8"	39#	BULK	\$7.60
C-100200-2"	41#	BULK	\$7.75
C-100212-2 1/8"	46#	BULK	\$10.50
C-100225-2 1/4"	47#	BULK	\$10.70
C-100237-2 3/8"	49#	BULK	\$11.25
C-100250-2 1/2"	51#	BULK	\$11.50
C-100262-2 5/8"	57#	BULK	\$12.50
C-100300-3"	60#	BULK	\$13.85
C-100312-3 1/8"	68#	BULK	\$14.50
C-100350-3 1/2"	70#	BULK	\$19.20
C-100362-3 5/8"	88#	BULK	\$20.00
C-100400-4"	94#	BULK	\$26.30
C-100412-4 1/8"	94#	BULK	\$28.00
C-100600-6"	120#	BULK	\$68.00
C-100612-6 1/8"	130#	BULK	\$68.50
CUSH-A-STRIP	2.53#/BOX	20 FT.-BOX	\$60.50

NOTE: STAINLESS STEEL AVAILABLE UPON REQUEST.

**SECTION IV CUSHION CLAMPS****C-200000 Cushion Clamps — Pipe Size**

CATALOG #	WT./100	STD. PKG.	LIST PRICE/100
C-200025-1/4"	13#	24	\$330.00
C-200037-3/8"	14#	24	\$360.00
C-200050-1/2"	15#	24	\$390.00
C-200075-3/4"	17#	12	\$425.00
C-200100-1"	19#	12	\$485.00
C-200125-1 1/4"	35#	12	\$645.00
C-200150-1 1/2"	39#	12	\$850.00
C-200200-2"	47#	BULK	\$1,100.00
C-200250-2 1/2"	55#	BULK	\$1,600.00
C-200300-3"	64#	BULK	\$1,900.00
C-200350-3 1/2"	88#	BULK	\$2,800.00
C-200400-4"	110#	BULK	\$3,600.00
C-200500-5"	130#	BULK	\$5,700.00
C-200600-6"	140#	BULK	\$7,700.00

NOTE: STAINLESS STEEL AVAILABLE UPON REQUEST.

## SECTION V GENERAL FITTINGS

### F-Series Flat Plates

CATALOG #	WT./100	STD. PKG.	LIST PRICE/100	
			EZN	GREEN
F-201-1/4"	18#	100	\$60.00	\$60.00
F-201-5/16"	18#	100	\$60.00	POA
F-201-3/8"	18#	100	\$60.00	\$60.00
F-201-1/2"	17#	100	\$60.00	\$60.00
F-201-5/8"	16#	100	\$70.00	\$70.00
F-201-3/4"	15#	100	\$80.00	\$80.00
F-201-IN-1/4"	18#	100	\$86.50	POA
F-201-IN-3/8"	18#	100	\$95.00	POA
F-201-IN-1/2"	17#	100	\$125.00	POA
F-202	50#	50	\$200.00	POA
F-203	35#	50	\$155.00	POA
F-204	34#	50	\$165.00	POA
F-205	76#	25	\$260.00	POA
F-206-1	50#	25	\$275.00	POA
F-206-2	55#	25	\$210.00	POA
F-207	69#	25	\$430.00	POA
F-210	56#	25	\$275.00	POA
F-211	70#	25	\$360.00	POA
F-212	70#	25	\$350.00	POA
F-213	75#	25	\$380.00	POA
F-214	75#	20	\$445.00	POA
F-216	100#	10	\$620.00	POA
F-217	100#	20	\$600.00	POA
F-218	102#	20	\$480.00	POA
F-219	143#	10	\$870.00	POA
F-220	232#	10	\$1,350.00	POA
F-221	150#	10	\$850.00	POA

NOTE: OTHER FINISHES ARE AVAILABLE, CONSULT FACTORY FOR PRICING.  
 NOTE: STAINLESS STEEL AVAILABLE UPON REQUEST.

**SECTION V GENERAL FITTINGS****A-Series Angle Brackets**

CATALOG #	WT./100	STD. PKG.	LIST PRICE/100	
			EZN	GREEN
A-301	37#	50	\$130.00	\$130.00
A-302	37#	50	\$150.00	\$150.00
A-303	41#	50	\$300.00	POA
A-304	39#	50	\$295.00	POA
A-305	57#	25	\$250.00	POA
A-306	56#	25	\$240.00	POA
A-307	58#	25	\$350.00	POA
A-309	102#	25	\$560.00	POA
A-310	101#	25	\$610.00	POA
A-311	78#	25	\$240.00	\$240.00
A-312	77#	20	\$610.00	POA
A-313	135#	10	\$620.00	POA
A-314	141#	10	\$900.00	POA
A-315	180#	10	\$825.00	POA
A-315-1	256#	10	\$990.00	POA
A-316	60#	25	\$240.00	POA
A-317	63#	25	\$290.00	POA
A-318-L	136#	25	\$326.00	POA
A-318-R	136#	25	\$326.00	POA
A-319-1	63#	25	\$326.00	POA
A-319-2	63#	25	\$326.00	POA
A-319-3	63#	25	\$326.00	POA
A-319-4	63#	25	\$326.00	POA
A-319-5	63#	25	\$326.00	POA
A-319-6	63#	25	\$326.00	POA
A-320-1	59#	25	\$326.00	POA
A-320-2	59#	25	\$326.00	POA
A-320-3	59#	25	\$326.00	POA
A-320-4	59#	25	\$326.00	POA
A-321-L	54#	20	\$470.00	POA
A-321-R	54#	20	\$470.00	POA
A-321-1-L	120#	10	\$550.00	POA
A-321-1-R	120#	10	\$550.00	POA
A-322	54#	50	\$315.00	POA
A-323	50#	50	\$300.00	POA
A-323-22	66#	20	\$380.00	POA
A-323-42	53#	25	\$310.00	POA
A-323-62	47#	50	\$290.00	POA
A-324	70#	15	\$390.00	POA
A-325	38#	25	\$295.00	POA

**SECTION V GENERAL FITTINGS****A-Series Angle Brackets - cont'd.**

CATALOG #	WT./100	STD. PKG.	LIST PRICE/100	
			EZN	GREEN
A-326	76#	25	\$420.00	POA
A-326-1	152#	10	\$800.00	POA
A-327	93#	25	\$650.00	POA
A-327-1	185#	10	\$1,400.00	POA
A-328	113#	10	\$650.00	POA
A-328-1	234#	10	\$1,150.00	POA
A-330-L	54#	25	\$470.00	POA
A-330-R	54#	25	\$470.00	POA
A-335	132#	10	\$870.00	POA
A-336	58#	25	\$340.00	POA
A-336-1	85#	25	\$475.00	POA
A-337	38#	50	\$300.00	POA
A-338-1	48#	25	\$290.00	POA
A-338-2	53#	25	\$300.00	POA
A-338-3	60#	25	\$315.00	POA
A-340-1	77#	25	\$400.00	POA
A-340-2	95#	25	\$415.00	POA
A-340-3	98#	25	\$465.00	POA
A-340-4	105#	25	\$430.00	POA
A-340-5	120#	25	\$450.00	POA
A-341	145#	25	\$480.00	POA
A-3174-1	100#	25	\$545.00	POA
A-3174-2	100#	25	\$545.00	POA
A-3174-3	100#	25	\$545.00	POA
A-3174-4	100#	25	\$545.00	POA
A-3174-5	100#	25	\$545.00	POA
A-3174-6	100#	25	\$545.00	POA
A-3174-7	100#	25	\$545.00	POA
A-3194-1	78#	25	\$390.00	POA
A-3194-2	78#	25	\$390.00	POA
A-3194-3	78#	25	\$390.00	POA
A-3194-4	78#	25	\$390.00	POA
A-3194-5	78#	25	\$390.00	POA
A-3194-6	78#	25	\$390.00	POA
A-3194-7	78#	25	\$390.00	POA
A-3194-8	78#	25	\$390.00	POA
A-3194-9	78#	25	\$390.00	POA
A-3194-10	78#	25	\$390.00	POA
A-3194-11	78#	25	\$390.00	POA
A-3360	66#	25	\$360.00	POA

NOTE: OTHER FINISHES ARE AVAILABLE, CONSULT FACTORY FOR PRICING.  
NOTE: STAINLESS STEEL AVAILABLE UPON REQUEST.

**SECTION V GENERAL FITTINGS****M-Series Miscellaneous Fittings**

CATALOG #	WT./100	STD. PKG.	LIST PRICE/100	
			EZN	GREEN
M-601	206#	25	\$1,515.00	POA
M-602	220#	20	\$1,545.00	POA
M-605-1	200#	10	\$1,515.00	POA
M-605-2	200#	10	\$1,660.00	POA
M-610-1	176#	10	\$760.00	POA
M-610-2	202#	20	\$860.00	POA
M-610-3	234#	20	\$910.00	POA
M-611-1	110#	10	\$630.00	POA
M-611-2	164#	10	\$790.00	POA
M-611-3	200#	10	\$945.00	POA
M-611-4	253#	10	\$1,035.00	POA
M-611-5	318#	10	\$1,150.00	POA

NOTE: OTHER FINISHES ARE AVAILABLE, CONSULT FACTORY FOR PRICING.  
NOTE: STAINLESS STEEL AVAILABLE UPON REQUEST.

## SECTION V GENERAL FITTINGS

### B-Series Fittings/Post Bases

CATALOG #	WT./100	STD. PKG.	LIST PRICE/100	
			EZN	GREEN
B-601-1	75#	20	\$406.00	POA
B-601-2	84#	25	\$440.00	POA
B-601-3	85#	25	\$515.00	POA
B-601-4	108#	25	\$580.00	POA
B-601-5	116#	25	\$775.00	POA
B-601-6	126#	25	\$635.00	POA
B-601-7	157#	10	\$790.00	POA
B-602-1	103#	10	\$630.00	POA
B-602-2	115#	10	\$660.00	POA
B-602-3	135#	10	\$710.00	POA
B-603-1	232#	BULK	\$650.00	POA
B-603-2	175#	BULK	\$630.00	POA
B-604	195#	20	\$600.00	POA
B-605	233#	10	\$870.00	POA
B-606	116#	10	\$460.00	POA
B-607	76#	20	\$400.00	POA
B-608	178#	10	\$580.00	POA
B-609	123#	25	\$450.00	POA
B-610	105#	25	\$630.00	POA
B-611	107#	10	\$785.00	POA
B-612	233#	10	\$1,110.00	POA
B-613	167#	10	\$1,150.00	POA
B-614	266#	10	\$1,370.00	POA
B-615-4	89#	25	\$400.00	POA
B-615-5	93#	25	\$415.00	POA
B-615-6	106#	25	\$470.00	POA
B-615-7	118#	25	\$495.00	POA
B-615-8	132#	25	\$530.00	POA
B-616	88#	25	\$590.00	POA
B-619	307#	10	\$1,512.00	POA
B-619-SQ	307#	5	\$1,512.00	POA
B-619-FL	230#	10	\$1,450.00	POA
B-619-A	325#	5	\$1,535.00	POA
B-619-A-SQ	325#	5	\$1,535.00	POA
B-619-A-FL	250#	5	\$1,500.00	POA
B-620	373#	10	\$1,650.00	POA
B-620-SQ	373#	10	\$1,550.00	POA
B-620-FL	312#	10	\$1,525.00	POA
B-620-A	408#	10	\$1,900.00	POA
B-620-A-SQ	408#	10	\$1,900.00	POA
B-620-A-FL	320#	10	\$1,900.00	POA
B-620-FL-1	358#	10	\$1,200.00	POA
B-630-FL	311#	10	\$2,800.00	POA
B-640	297#	10	\$1,800.00	POA

NOTE: OTHER FINISHES ARE AVAILABLE, CONSULT FACTORY FOR PRICING.  
NOTE: STAINLESS STEEL AVAILABLE UPON REQUEST.



## SECTION VI BEAM CLAMPS

### C-Series Beam Clamps

CATALOG #	WT./100	STD. PKG.	LIST PRICE/100 EZN
C-401-1	100#	25	\$605.00
C-401-2	100#	25	\$994.00
C-402-132	87#	25	\$310.00
C-402-122	92#	25	\$350.00
C-403	30#	50	\$200.00
C-404	46#	25	\$325.00
C-405- <sup>3</sup> / <sub>8</sub> "	40#	BULK	\$270.00
C-405- <sup>1</sup> / <sub>2</sub> "	40#	BULK	\$290.00
C-405M- <sup>3</sup> / <sub>8</sub> "	32#	BULK	\$175.00
C-405M- <sup>1</sup> / <sub>2</sub> "	32#	BULK	\$220.00
C-406	66#	20	\$530.00
C-407	92#	25	\$570.00
C-408- <sup>1</sup> / <sub>4</sub> "	41#	50	\$430.00
C-408- <sup>1</sup> / <sub>2</sub> "	62#	25	\$510.00
C-410-1	67#	10	\$910.00
C-410-2	67#	10	\$910.00
C-410-3	67#	10	\$910.00
C-410-4	100#	10	\$1,245.00
C-410-5	100#	10	\$1,245.00
C-410-6	130#	10	\$1,375.00
C-410-7	130#	10	\$1,560.00
C-410-8	160#	10	\$2,180.00
C-410-9	160#	10	\$2,180.00
C-411-1	109#	10	\$1,390.00
C-411-2	156#	10	\$1,560.00
C-411-3	201#	10	\$1,730.00
C-412	53#	25 PAIR	\$1,250.00
C-415-132	280#	10	\$1,620.00
C-415-122	280#	10	\$1,944.00
C-416-132	145#	10	\$1,188.00
C-416-122	145#	10	\$1,512.00
C-420- <sup>3</sup> / <sub>8</sub> "	30#	100	\$200.00
C-420- <sup>1</sup> / <sub>2</sub> "	39#	100	\$350.00
C-420- <sup>5</sup> / <sub>8</sub> "	40#	50	\$600.00
C-420- <sup>3</sup> / <sub>4</sub> "	67#	50	\$1,100.00
C-430- <sup>3</sup> / <sub>8</sub> "	38#	100	\$330.00
C-430- <sup>1</sup> / <sub>2</sub> "	49#	100	\$365.00
C-430- <sup>5</sup> / <sub>8</sub> "	66#	50	\$600.00
C-430- <sup>3</sup> / <sub>4</sub> "	83#	50	\$1,100.00
C-440- <sup>1</sup> / <sub>4</sub> "	24#	50	\$150.00
C-440- <sup>5</sup> / <sub>16</sub> "	23#	50	\$300.00
C-440- <sup>3</sup> / <sub>8</sub> "	65#	25	\$425.00
C-440- <sup>1</sup> / <sub>2</sub> "	150#	25	\$1,100.00

NOTE: OTHER FINISHES ARE AVAILABLE, CONSULT FACTORY FOR PRICING.  
 NOTE: STAINLESS STEEL AVAILABLE UPON REQUEST.

**SECTION VI BEAM CLAMPS****RAC Series Right Angle Clamps**

CATALOG #	WT./100	STD. PKG.	LIST PRICE/100
RAC-1/2"	40#	50	\$310.00
RAC-3/4"	43#	50	\$325.00
RAC-1"	48#	50	\$355.00
RAC-1 1/4"	53#	50	\$400.00
RAC-1 1/2"	58#	50	\$445.00
RAC-2"	85#	50	\$650.00
RAC-2 1/2"	106#	25	\$800.00
RAC-3"	110#	25	\$875.00
RAC-3 1/2"	128#	25	\$1,120.00
RAC-4"	140#	25	\$1,220.00

**SECTION VII ELECTRICAL ACCESSORIES****Electrical Series Closure Strip**

CATALOG #	WT./100/FT.	STD. PKG.	PLAIN	LIST PRICE/100 PRE-GALV.	GREEN
C-900 (METAL)	47#	1000'	\$95.00	\$99.00	\$146.00

CATALOG #	WT.	STD. PKG.	GREEN	LIST PRICE/100 BLACK	WHITE
C-900-P (PLASTIC)	.5 OZ./FT.	1000'	\$45.00	\$40.00	\$45.00
C-900-HD-P (HEAVY DUTY PLASTIC)	1.3 OZ./FT.	1000'	POA	POA	\$125.00

**Accessories**

CATALOG #	WT./100	STD. PKG.	LIST PRICE/100
E-501-1/2"	28#	25	\$230.00
E-501-3/4"	28#	25	\$230.00
E-502	8#	100	\$275.00
E-503	2#	100	\$68.00
E-503-SN	4#	100	\$130.00
E-504-1	27#	50	\$415.00
E-504-2	24#	50	\$230.00
E-504-3	21#	50	\$400.00
E-505	25#	20	\$300.00
E-505-H	45#	20	\$315.00
E-510-1	115#	BULK	\$420.00
E-510-2	91#	BULK	\$350.00
E-510-3	85#	BULK	\$365.00
E-510-4	76#	BULK	\$365.00
E-510-5	71#	BULK	\$365.00
E-511	40#	25	\$295.00
E-512	24#	50	\$230.00
E-513	40#	50	\$255.00

**SECTION VIII CONCRETE INSERTS  
& ACCESSORIES****Concrete Insert Series  
Channel**

CATALOG #	WT./100	STD. PKG.	LIST PRICE/100 PRE-GALV.
NOTE: NO FILLER OR END CAP			
H-132-IN	196#	200'	\$530.00
H-142-IN	178#	400'	\$510.00
H-152-IN	151#	200'	\$485.00
H-164-IN	105#	400'	\$445.00

## NOTE: FOAM FILLER AND END CAP

H-132-IN x 10 F	205#	200'	\$605.00
H-132-IN x 20 F	205#	400'	\$600.00
H-142-IN x 10 F	188#	200'	\$570.00
H-142-IN x 20 F	188#	400'	\$565.00
H-152-IN x 10 F	162#	200'	\$530.00
H-152-IN x 20 F	162#	400'	\$525.00
H-164-IN x 10 F	121#	200'	\$495.00
H-164-IN x 20 F	121#	400'	\$490.00

## NOTE: PLASTIC CLOSURE AND END CAP

H-132-IN x 10 P	199#	200'	\$560.00
H-132-IN x 20 P	199#	400'	\$555.00
H-142-IN x 10 P	180#	200'	\$545.00
H-142-IN x 20 P	180#	400'	\$540.00
H-152-IN x 10 P	153#	200'	\$525.00
H-152-IN x 20 P	153#	400'	\$520.00
H-164-IN x 10 P	107#	200'	\$480.00
H-164-IN x 20 P	107#	400'	\$475.00

NOTE: OTHER SIZES AND FINISHES AVAILABLE, CONSULT FACTORY FOR PRICING.

**SECTION VIII CONCRETE INSERTS  
& ACCESSORIES****Accessories**

CATALOG #	WT./100	STD. PKG.	LIST PRICE/100
1001-EC-1	22#	BULK	\$111.00
1001-EC-2	20#	BULK	\$111.00
1001-EC-3	18#	BULK	\$111.00
1000-EC-1	7#	BULK	\$44.00
1000-EC-2	6#	BULK	\$44.00
1000-EC-3	4#	BULK	\$39.00
1000-EC-5	4#	BULK	\$39.00
1000-EC-6	16#	BULK	\$150.00
1000-EC-7	19#	BULK	\$160.00
1000-EC-8	10#	BULK	\$80.00
H-1200	45#	100	\$215.00
N-1200- <sup>1</sup> / <sub>4</sub> "	12#	100	\$100.00
N-1200- <sup>3</sup> / <sub>8</sub> "	16#	100	\$113.00
N-1200- <sup>1</sup> / <sub>2</sub> "	20#	100	\$128.00
N-1200- <sup>5</sup> / <sub>8</sub> "	19#	100	\$135.00
N-1200- <sup>3</sup> / <sub>4</sub> "	16#	100	\$173.00
N-1200- <sup>7</sup> / <sub>8</sub> "	15#	100	\$249.00
FOAM FILLER		BULK	\$95.00
C-900-P	.5 OZ./FT.	1000'	\$45.00

**SECTION IX TRAPEZES  
& BRACKETS****Brackets**

CATALOG #	WT./100	STD. PKG.	LIST PRICE/100	
			EZN	GREEN
T-610	272#	BULK	POA	POA
T-611	461#	BULK	POA	POA
T-612-6	190#	BULK	POA	POA
T-612-12	290#	BULK	POA	POA
T-613-6	190#	BULK	POA	POA
T-613-12	290#	BULK	POA	POA
T-615	230#	BULK	\$1,938.00	POA
T-616	275#	BULK	\$1,920.00	POA
T-620-6	56#	BULK	\$675.00	POA
T-620-8	82#	BULK	\$750.00	POA
T-620-10	112#	BULK	\$825.00	POA
T-621-12	134#	BULK	\$930.00	POA
T-621-14	185#	BULK	\$1,070.00	POA
T-621-16	198#	BULK	\$1,220.00	POA
T-621-18	218#	BULK	\$1,355.00	POA
T-621-20	258#	BULK	\$1,500.00	POA
T-621-22	348#	BULK	\$1,760.00	POA
T-622-24	400#	BULK	\$1,920.00	POA
T-622-26	445#	BULK	\$2,085.00	POA
T-622-28	493#	BULK	\$2,255.00	POA
T-622-30	545#	BULK	\$2,440.00	POA

**SECTION X** MINI STRUT  
 $13/16$ " MINI CHANNELS**H-179 Series**  
 $13/16$ " x  $13/16$ " 19 Ga.

CATALOG #	WT./100	STD. PKG.	LIST PRICE/100/FT.		
			PLAIN	PRE-GALV.	GREEN
H-179 x 10'	40#	1000'	\$92.00	\$97.00	\$136.00
H-179-A x 10'	80#	250'	\$289.00	\$299.00	\$375.00

**H-189 Series**  
 $13/32$ " x  $13/16$ " 19 Ga.

CATALOG #	WT./100	STD. PKG.	LIST PRICE/100/FT.		
			PLAIN	PRE-GALV.	GREEN
H-189 x 10'	28#	1000'	\$71.00	\$75.00	\$116.00
H-189-A x 10'	56#	250'	\$246.00	\$253.00	\$337.00

**SECTION XI STUD NUTS****SN Series Stud Nuts**

CATALOG #	WT./100	STD. PKG.	LIST PRICE/100 EZN
SN 1/4" x 1"	8.1#	100	POA
SN 1/4" x 1 1/4"	8.3#	100	POA
SN 1/4" x 1 1/2"	8.6#	100	POA
SN 1/4" x 2"	9.1#	100	POA
SN 3/8" x 1"	13#	100	POA
SN 3/8" x 1 1/4"	14#	100	POA
SN 3/8" x 1 1/2"	14#	100	POA
SN 3/8" x 2"	15#	100	POA
SN 1/2" x 1"	15#	100	POA
SN 1/2" x 1 1/4"	16#	100	POA
SN 1/2" x 1 1/2"	17#	100	POA
SN 1/2" x 2"	19#	100	POA

NOTE: CONSULT OUR ENGINEERING CATALOG FOR ADDITIONAL INFORMATION.



# INDEX

CHANNEL	Page
H-112	4
H-112-OS	4
H-112-RS	4
H-112-OS3	4
H-112-KO	4
H-112-A	4
H-122	4
H-122-OS	4
H-122-RS	4
H-122-OS3	4
H-122-KO	4
H-122-A	4
H-132	5
H-132-OS	5
H-132-RS	5
H-132-RS3	5
H-132-OS3	5
H-132-KO	5
H-132-A	5
H-132-OSA	5
H-132-B	5
H-132-C	5
H-132-D	5
H-134	6
H-134-OS	6
H-134-RS	6
H-134-OS3	6
H-134-KO	6
H-134-A	6
H-134-OSA	6
H-142	6
H-142-OS	6
H-142-RS	6
H-142-OS3	6
H-142-KO	6
H-142-A	6
H-152	7
H-152-OS	7
H-152-RS	7
H-152-OS3	7
H-152-KO	7
H-152-A	7
H-172	7
H-172-OS	7
H-172-RS	7
H-172-OS3	7
H-172-KO	7
H-172-A	7
H-162	8
H-162-OS	8
H-162-RS	8
H-162-OS3	8
H-162-KO	8
H-162-A	8
H-164	8
H-164-OS	8
H-164-RS	8
H-164-OS3	8
H-164-KO	8
H-164-A	8
H-164-OSA	8
<b>GRIP LOCK NUTS &amp; HARDWARE</b>	
<b>N-800 Series No Springs</b>	
N-800- $\frac{1}{4}$ "	9
N-801- $\frac{3}{8}$ "	9
N-802- $\frac{1}{2}$ "	9
N-803- $\frac{5}{8}$ "	9
N-804- $\frac{3}{4}$ "	9
N-805- $\frac{7}{8}$ "	9
N-806- $\frac{5}{8}$ "	9
N-807- $\frac{3}{4}$ "	9
N-808- $\frac{7}{8}$ "	9
N-809- $\frac{7}{8}$ "	9
<b>N-810 Series Short Springs</b>	
N-810- $\frac{1}{4}$ "	9
N-811- $\frac{3}{8}$ "	9
N-812- $\frac{1}{2}$ "	9
N-814- $\frac{5}{8}$ "	9
N-815- $\frac{3}{4}$ "	9
N-818- $\frac{5}{16}$ "	9
<b>N-820 Series Regular Springs</b>	
N-820- $\frac{1}{4}$ "	9
N-821- $\frac{3}{8}$ "	9
N-822- $\frac{1}{2}$ "	9
N-823- $\frac{1}{2}$ "	9
N-824- $\frac{5}{8}$ "	9
N-825- $\frac{3}{4}$ "	9
N-827- $\frac{7}{16}$ "	9
N-828- $\frac{3}{16}$ "	9
N-829- $\frac{7}{16}$ "	9
<b>N-830 Series Long Springs</b>	
N-830- $\frac{1}{4}$ "	10
N-831- $\frac{3}{8}$ "	10
N-832- $\frac{1}{2}$ "	10
N-834- $\frac{3}{4}$ "	10
N-835- $\frac{3}{4}$ "	10
N-838- $\frac{5}{16}$ "	10
<b>Mini Nuts</b>	
N-841- $\frac{9}{16}$ "	10
N-842- $\frac{10}{32}$ "	10
N-843- $\frac{11}{24}$ "	10
N-844- $\frac{1}{2}$ "	10
N-851- $\frac{3}{32}$ "	10
N-852- $\frac{10}{32}$ "	10
N-853- $\frac{10}{32}$ "	10
N-854- $\frac{1}{8}$ "	10
N-861- $\frac{9}{32}$ "	10
N-862- $\frac{10}{32}$ "	10
N-863- $\frac{10}{24}$ "	10
N-864- $\frac{1}{4}$ "	10
<b>TSN Series Top Springs</b>	
TSN-800- $\frac{1}{4}$ "	10
TSN-801- $\frac{3}{8}$ "	10
TSN-802- $\frac{1}{2}$ "	10
TSN-808- $\frac{5}{16}$ "	10
<b>Double Nuts</b>	
N-8771	10
<b>Seismic Nuts</b>	
N-8700	10
<b>Hex Head Cap Screws</b>	
$\frac{1}{4}$ " x $\frac{1}{2}$ " HHCS	11
$\frac{1}{4}$ " x $\frac{3}{4}$ " HHCS	11
$\frac{1}{4}$ " x 1" HHCS	11
$\frac{3}{8}$ " x $\frac{3}{4}$ " HHCS	11
$\frac{3}{8}$ " x 1" HHCS	11
$\frac{3}{8}$ " x 1 $\frac{1}{4}$ " HHCS	11
$\frac{3}{8}$ " x 1 $\frac{1}{2}$ " HHCS	11
$\frac{3}{8}$ " x 2" HHCS	11
$\frac{3}{8}$ " x 2 $\frac{1}{4}$ " HHCS	11
$\frac{1}{2}$ " x 1" HHCS	11
$\frac{1}{2}$ " x 1 $\frac{1}{4}$ " HHCS	11
$\frac{1}{2}$ " x 1 $\frac{1}{2}$ " HHCS	11
$\frac{1}{2}$ " x 2" HHCS	11
$\frac{1}{2}$ " x 2 $\frac{1}{2}$ " HHCS	11
<b>Flat Head Machine Screws</b>	
$\frac{1}{4}$ " x $\frac{3}{16}$ " FHMS	11
$\frac{3}{16}$ " x 1" FHMS	11
$\frac{3}{8}$ " x 2" FHMS	11
$\frac{3}{8}$ " x 2 $\frac{1}{4}$ " FHMS	11
$\frac{3}{8}$ " x 2 $\frac{1}{2}$ " FHMS	11
<b>Round Head Machine Screws</b>	
$\frac{1}{4}$ " x $\frac{3}{4}$ " RHMS	11
$\frac{1}{4}$ " x 1" RHMS	11
$\frac{1}{4}$ " x 1 $\frac{1}{4}$ " RHMS	11
$\frac{5}{16}$ " x 1" RHMS	11
$\frac{5}{16}$ " x 1 $\frac{1}{4}$ " RHMS	11
$\frac{5}{16}$ " x 1 $\frac{1}{2}$ " RHMS	11
$\frac{3}{8}$ " x 1" RHMS	11
$\frac{3}{8}$ " x 1 $\frac{1}{4}$ " RHMS	11
$\frac{3}{8}$ " x 1 $\frac{1}{2}$ " RHMS	11
$\frac{3}{8}$ " x 2" RHMS	11
<b>Lock Washers</b>	
$\frac{1}{4}$ " LW	12
$\frac{3}{8}$ " LW	12
$\frac{1}{2}$ " LW	12
<b>Flat Washers</b>	
$\frac{1}{4}$ " FW	12
$\frac{3}{8}$ " FW	12
$\frac{1}{2}$ " FW	12
<b>Hex Nuts</b>	
$\frac{1}{4}$ " HN	12
$\frac{3}{8}$ " HN	12
$\frac{1}{2}$ " HN	12
<b>Square Nuts</b>	
$\frac{1}{4}$ " SN	12
$\frac{3}{8}$ " SN	12
$\frac{1}{2}$ " SN	12
<b>All-Thread Rods</b>	
$\frac{1}{4}$ " TR	12
$\frac{3}{8}$ " TR	12
$\frac{1}{2}$ " TR	12
$\frac{3}{4}$ " TR	12
$\frac{1}{2}$ " TR	12
<b>Rod Couplings</b>	
$\frac{1}{4}$ " RC	13
$\frac{3}{8}$ " RC	13
$\frac{1}{2}$ " RC	13
$\frac{3}{4}$ " RC	13
$\frac{1}{2}$ " RC	13
<b>U-Bolts</b>	
$\frac{1}{2}$ " UB	13
$\frac{3}{4}$ " UB	13
1" UB	13
1 $\frac{1}{4}$ " UB	13
1 $\frac{1}{2}$ " UB	13





# INDEX

C-405- <sup>3</sup> / <sub>8</sub> "	Page 25
C-405- <sup>1</sup> / <sub>2</sub> "	25
C-405M- <sup>3</sup> / <sub>8</sub> "	25
C-405M- <sup>1</sup> / <sub>2</sub> "	25
C-406	25
C-407	25
C-408- <sup>1</sup> / <sub>8</sub> "	25
C-408- <sup>1</sup> / <sub>2</sub> "	25
C-410-1	25
C-410-2	25
C-410-3	25
C-410-4	25
C-410-5	25
C-410-6	25
C-410-7	25
C-410-8	25
C-410-9	25
C-411-1	25
C-411-2	25
C-411-3	25
C-412	25
C-415-132	25
C-415-122	25
C-416-132	25
C-416-122	25
C-420- <sup>3</sup> / <sub>8</sub> "	25
C-420- <sup>1</sup> / <sub>2</sub> "	25
C-420- <sup>5</sup> / <sub>8</sub> "	25
C-420- <sup>3</sup> / <sub>4</sub> "	25
C-430- <sup>3</sup> / <sub>8</sub> "	25
C-430- <sup>1</sup> / <sub>2</sub> "	25
C-430- <sup>5</sup> / <sub>8</sub> "	25
C-430- <sup>3</sup> / <sub>4</sub> "	25
C-440- <sup>1</sup> / <sub>8</sub> "	25
C-440- <sup>3</sup> / <sub>16</sub> "	25
C-440- <sup>3</sup> / <sub>8</sub> "	25
C-440- <sup>1</sup> / <sub>2</sub> "	25
<b>RAC Series Right Angle Clamps</b>	
RAC- <sup>1</sup> / <sub>2</sub> "	26
RAC- <sup>3</sup> / <sub>4</sub> "	26
RAC-1"	26
RAC-1 <sup>1</sup> / <sub>8</sub> "	26
RAC-1 <sup>1</sup> / <sub>2</sub> "	26
RAC-2"	26
RAC-2 <sup>1</sup> / <sub>2</sub> "	26
RAC-3"	26
RAC-3 <sup>1</sup> / <sub>2</sub> "	26
RAC-4"	26
<b>ELECTRICAL ACCESSORIES</b>	
<b>Electrical Series Closure Strip</b>	
C-900	27
C-900-P	27
C-900-HD-P	27
<b>Accessories</b>	
E-501- <sup>1</sup> / <sub>2</sub> "	27
E-501- <sup>3</sup> / <sub>4</sub> "	27
E-502	27
E-503	27
E-503-SN	27
E-504-1	27
E-504-2	27
E-504-3	27

E-505	Page 27
E-505-H	27
E-510-1	27
E-510-2	27
E-510-3	27
E-510-4	27
E-510-5	27
E-511	27
E-512	27
E-513	27

## CONCRETE INSERTS & ACCESSORIES

<b>Concrete Insert Series — Channel No Filler or End Cap</b>	
H-132-IN	28
H-142-IN	28
H-152-IN	28
H-164-IN	28

<b>With Foam Filler and End Cap</b>	
H-132-IN x 10' F	28
H-132-IN x 20' F	28
H-142-IN x 10' F	28
H-142-IN x 20' F	28
H-152-IN x 10' F	28
H-152-IN x 20' F	28
H-164-IN x 10' F	28
H-164-IN x 20' F	28

<b>With Plastic Closure and End Cap</b>	
H-132-IN x 10' P	28
H-132-IN x 20' P	28
H-142-IN x 10' P	28
H-142-IN x 20' P	28
H-152-IN x 10' P	28
H-152-IN x 20' P	28
H-164-IN x 10' P	28
H-164-IN x 20' P	28

<b>Accessories</b>	
1001-EC-1	29
1001-EC-2	29
1001-EC-3	29
1000-EC-1	29
1000-EC-2	29
1000-EC-3	29
1000-EC-5	29
1000-EC-6	29
1000-EC-7	29
1000-EC-8	29

H-1200	29
N-1200- <sup>1</sup> / <sub>4</sub> "	29
N-1200- <sup>3</sup> / <sub>8</sub> "	29
N-1200- <sup>1</sup> / <sub>2</sub> "	29
N-1200- <sup>5</sup> / <sub>8</sub> "	29
N-1200- <sup>3</sup> / <sub>4</sub> "	29
N-1200- <sup>7</sup> / <sub>8</sub> "	29

Foam Filler	29
C-900-P	29

## TRAPEZES & BRACKETS

<b>Brackets</b>	
T-610	30
T-611	30

T-612-6	Page 30
T-612-12	30
T-613-6	30
T-613-12	30
T-615	30
T-616	30
T-620-6	30
T-620-8	30
T-620-10	30
T-620-12	30
T-621-14	30
T-621-16	30
T-621-18	30
T-621-20	30
T-621-22	30
T-621-24	30
T-622-26	30
T-622-28	30
T-622-30	30

## MINI-STRUT

<b>H-179 Series</b>	
H-179 x 10'	31
H-179-A x 10'	31
<b>H-189 Series</b>	
H-189 x 10'	31
H-189-A x 10'	31

## STUD NUTS

<b>SN Series Stud Nuts</b>	
SN <sup>1</sup> / <sub>4</sub> " x 1"	32
SN <sup>1</sup> / <sub>4</sub> " x 1 <sup>1</sup> / <sub>8</sub> "	32
SN <sup>1</sup> / <sub>4</sub> " x 1 <sup>1</sup> / <sub>2</sub> "	32
SN <sup>1</sup> / <sub>4</sub> " x 2"	32
SN <sup>3</sup> / <sub>8</sub> " x 1"	32
SN <sup>3</sup> / <sub>8</sub> " x 1 <sup>1</sup> / <sub>8</sub> "	32
SN <sup>3</sup> / <sub>8</sub> " x 1 <sup>1</sup> / <sub>2</sub> "	32
SN <sup>3</sup> / <sub>8</sub> " x 2"	32
SN <sup>1</sup> / <sub>2</sub> " x 1"	32
SN <sup>1</sup> / <sub>2</sub> " x 1 <sup>1</sup> / <sub>8</sub> "	32
SN <sup>1</sup> / <sub>2</sub> " x 1 <sup>1</sup> / <sub>2</sub> "	32
SN <sup>1</sup> / <sub>2</sub> " x 2"	32

## TERMS AND CONDITIONS OF SALE

These terms and conditions of sale supersede all previous listings. No order shall be binding upon us until accepted in writing by an authorized official at our home office. Goods are tendered or delivered and work is undertaken in every case only upon and subject to these terms and conditions. We shall not be liable for any delay or default in performance due to any cause arising or attributable to any event or omission beyond our reasonable control. All prices herein are suggested prices.

**Prices:** All prices are based on our standard packing and subject to change without notice.

**Terms:** Invoices are due and payable on net 30 days basis, unless otherwise agreed to in writing. Failure to make payment when due shall entitle us to suspend further deliveries or to cancel a contract.

**Freight:** Unless specifically stated in our proposal, all shipments are F.O.B. our dock or point of shipment. Routing will be at our discretion, unless otherwise agreed in writing.

**Title:** Complete title to all goods shall remain with us until delivered to the carrier.

**Risk:** Loss or damage to the goods shall pass to the customer upon delivery to the carrier.

**Damage or Loss in Transit:** Regardless of freight payment, all risk or loss damage in transit shall pass to the purchaser. Although we will assist buyer in making his claims, we assume no liability for subsequent shortage or damage in transit.

**Cancellation:** An order may only be cancelled upon receipt of written agreement from us. All costs incurred by such cancellation are to be paid by the purchaser.

**Returned Merchandise:** All materials are carefully inspected before shipment, but it is not always possible to detect imperfections. Therefore, the only guarantee that is given is to replace such materials as prove to be defective or to allow credit for their return at our option. If materials appear defective, buyer should discontinue their use and notify us immediately so that we can investigate. We will not allow any claim for labor or expense occasioned by the use of defective materials nor be responsible for damages beyond the price of defective materials. Claims for defective materials should be made within 30 days after receipt of materials. We will not accept returns without our written permission.

**Transportation Claim:** The carriers are responsible for materi-

als lost or damaged en route. Consignee (buyer), as required by uniform Bill of Lading, must immediately notify the carrier's agent at destination, in writing, in order to substantiate formal claim, upon presentation by buyer.

**Liability For Misuse:** Purchaser agrees to protect, defend, indemnify and hold us harmless from any and all liability or alleged liability and expense, including attorney's fees, arising from personal injury, including death, or damage to property, caused by reason of the improper and/or negligent installation or use of our products.

**Specifications:** Specifications and dimensions are subject to change without notice. We do not warrant the compliance of our products to specifications other than our own.

**Warranty:** This warranty is directed solely to those buyers purchasing our products for use in the fabrication and/or construction of products for sale to others. Nothing herein shall be construed to extend this warranty to "Consumers". Our products are warranted against defect in manufacturing for a period of one year. This warranty is limited to the replacement of defective parts, or refund of the purchase price at our discretion. This is the buyer's sole and exclusive remedy and we shall not be liable for labor charges or any other damages or expense arising from the use of defective material, for any damage, consequential or otherwise, of any kind.

This is our sole warranty. We make no other warranty of any kind, expressed or implied, and all implied warranties of merchantability and fitness for a particular purpose which exceed our aforesaid obligation are hereby disclaimed by us and excluded from this warranty.

\*On lengths of 36" or longer, 100 pieces or more inquire for quantity discounts. Standard cutting tolerance is plus or minus 1/16". When required to cut from standard stock lengths of 10' or 20', customer will be charged for scrap resulting from cutting. Scrap will only be shipped if requested. Cutting charges will be invoiced as a separate item.

**All our products are Union Made.**

