

### GM40AV Series 40 Amp Auto-Voltage General Purpose Time Switch

Grässlin's GM40 Series 40 Amp Auto-Voltage Time Switch is a universal electromechanical control, which automatically detects the input voltage without the use of a DIP switch or selector pins. The time switch automatically selects any voltage between 120 VAC and 277 VAC. The time switch controls high amperage loads for lighting, HVACR, pumps, motors, fan controls, access controls, agricultural facilities, and general purpose electrical circuits. The mechanism is mounted in a compact UL Type 3R outdoor enclosure and features a DPDT Switching Configuration standard.

#### Features

- 40 Amp rating
- Power and status LED indicators
- 24-Hour timer / Skip-a-Day / 7-Day programming
- Captive trippers – trippers cannot be lost
- Auto-Voltage selection 120 VAC through 277 VAC
- Up to 48 ON/OFF operations per 24 hour period or 42 ON/OFF operations per week on "W" models
- DPDT Switching Configuration standard (2 N.O. and 2 N.C. Contacts)
- Manual 3-way OFF/AUTO/ON override switch
- 7 Day Carry-over on "Q" models

#### Ratings

Enclosure dimensions: 8.88"H x 6.61"W x 3"D  
 Shipping Weight: 3 lbs.  
 Supply Voltage: 120-208/240 or 277 VAC

#### Switch Rating:

N.O. Contacts: 40A, Resistive, 120-277 VAC  
 1 HP (16FLA, 90LRA), 120 VAC  
 2 HP (12FLA, 52LRA), 208-277 VAC  
 30A, Ballast, 120 VAC  
 20A, Ballast, 277 VAC  
 15A, Tungsten, 120 VAC

N.C. Contacts: 30A, Resistive, 120-277 VAC  
 1 HP (12FLA, 30LRA), 120 VAC  
 2 HP (10FLA, 30LRA), 240 VAC  
 2A, Tungsten, 120 VAC  
 10A, Ballast, 277 VAC

Wiring Connections: Screw box lug terminals  
 Operating Temperature: -40°F to 131°F (-40°C to 55°C)  
 Operating Humidity: 0 to 95% RH, non-condensing  
 Electrical Life: 50,000 operations at full load  
 Switch Configuration: DPDT (2 N.O. and 2 N.C. Contacts)  
 Warranty: Limited 1 year

Project: \_\_\_\_\_  
 Location: \_\_\_\_\_  
 Product Type: \_\_\_\_\_  
 Contact/Phone: \_\_\_\_\_  
 Model #: \_\_\_\_\_



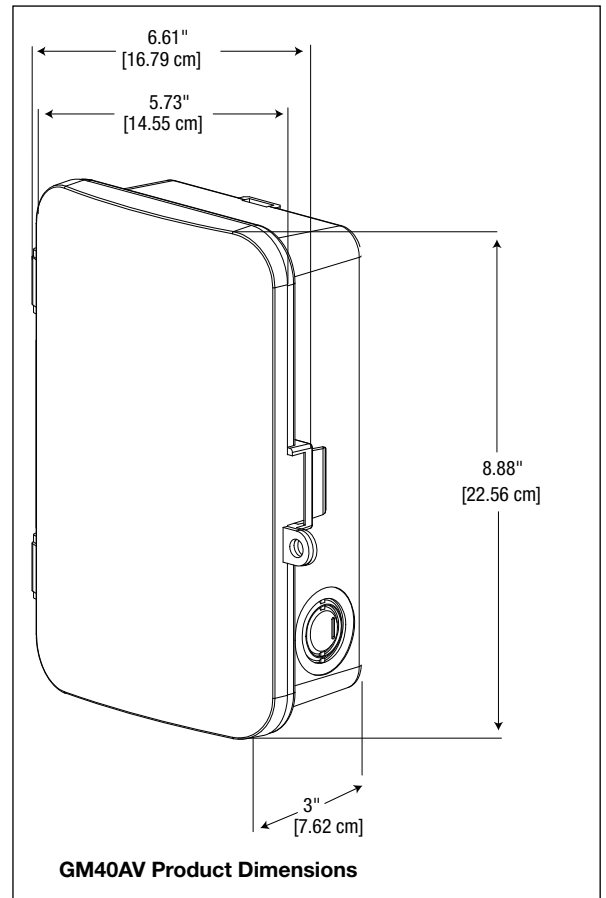
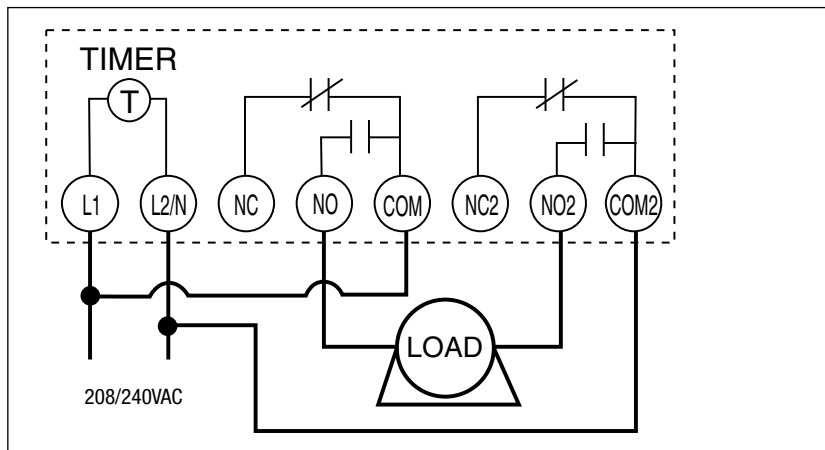
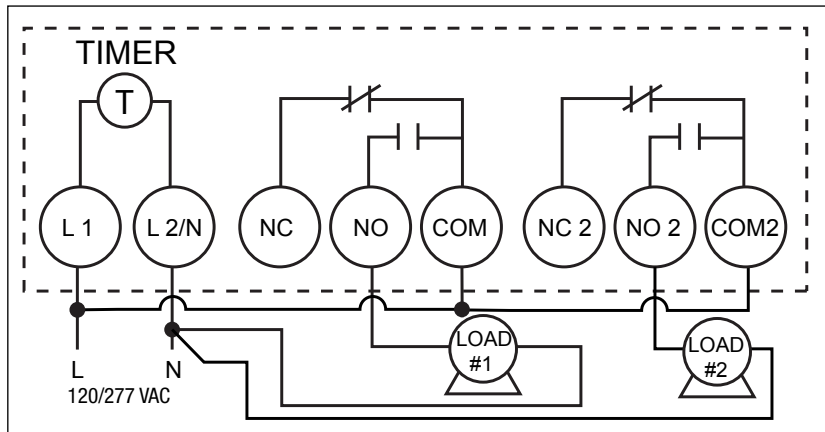
#E10694

Model	Voltage	Output	Enclosure	Carryover	Timing
GM40AV	120-208/240 or 277 VAC	40A DPDT	Type 3R Plastic	No	24-Hour, 15-Minute intervals
GM40AV-M	120-208/240 or 277 VAC	40A DPDT	Mechanism Only	No	24-Hour, 15-Minute intervals
GM40AV-Q	120-208/240 or 277 VAC	40A DPDT	Type 3R Plastic	Yes	24-Hour, 15-Minute intervals
GM40AV-QW	120-208/240 or 277 VAC	40A DPDT	Type 3R Plastic	Yes	7 Day, 2 Hour intervals
GM40AV-W	120-208/240 or 277 VAC	40A DPDT	Type 3R Plastic	No	7 Day, 2 Hour intervals

## Specification

Furnish and install a Grässlin GM40AV\_\_\_\_\_Auto-Voltage 24-Hour Time Switch with captive trippers. Input voltage shall be 120-208/240 or 277 VAC in which the unit detects and selects automatically. All units shall incorporate DPDT contacts that shall be rated at 40 Amp, 2 HP @ 277 VAC. To set the starting time and provide time indication, the unit shall have an authentic clock face with hour and minute hands and 15-minute or 2-hour (W models only) interval captive trippers. LED indicators shall provide power and status feedback. The enclosure shall be UL Type 3R suitable for both indoor or outdoor installation. The time switch shall contain a 3-way OFF/AUTO/ON manual override switch. For Carry-over: "Q" Models shall have a quartz drive with 7 day reserve carry-over.

## Diagrams



### GM40AV Series 40 Amp Auto-Voltage General Purpose Time Switch

Grässlin's GM40 Series 40 Amp Auto-Voltage Time Switch is a universal electromechanical control, which automatically detects the input voltage without the use of a DIP switch or selector pins. The time switch automatically selects any voltage between 120 VAC and 277 VAC. The time switch controls high amperage loads for lighting, HVACR, pumps, motors, fan controls, access controls, agricultural facilities, and general purpose electrical circuits. The mechanism is mounted in a compact UL Type 3R outdoor enclosure and features a DPDT Switching Configuration standard.

#### Features

- 40 Amp rating
- Power and status LED indicators
- 24-Hour timer / Skip-a-Day / 7-Day programming
- Captive trippers – trippers cannot be lost
- Auto-Voltage selection 120 VAC through 277 VAC
- Up to 48 ON/OFF operations per 24 hour period or 42 ON/OFF operations per week on "W" models
- DPDT Switching Configuration standard (2 N.O. and 2 N.C. Contacts)
- Manual 3-way OFF/AUTO/ON override switch
- 7 Day Carry-over on "Q" models

#### Ratings

Enclosure dimensions: 8.88"H x 6.61"W x 3"D  
 Shipping Weight: 3 lbs.  
 Supply Voltage: 120-208/240 or 277 VAC

#### Switch Rating:

N.O. Contacts: 40A, Resistive, 120-277 VAC  
 1 HP (16FLA, 90LRA), 120 VAC  
 2 HP (12FLA, 52LRA), 208-277 VAC  
 30A, Ballast, 120 VAC  
 20A, Ballast, 277 VAC  
 15A, Tungsten, 120 VAC

N.C. Contacts: 30A, Resistive, 120-277 VAC  
 1 HP (12FLA, 30LRA), 120 VAC  
 2 HP (10FLA, 30LRA), 240 VAC  
 2A, Tungsten, 120 VAC  
 10A, Ballast, 277 VAC

Wiring Connections: Screw box lug terminals  
 Operating Temperature: -40°F to 131°F (-40°C to 55°C)  
 Operating Humidity: 0 to 95% RH, non-condensing  
 Electrical Life: 50,000 operations at full load  
 Switch Configuration: DPDT (2 N.O. and 2 N.C. Contacts)  
 Warranty: Limited 1 year

Project: \_\_\_\_\_  
 Location: \_\_\_\_\_  
 Product Type: \_\_\_\_\_  
 Contact/Phone: \_\_\_\_\_  
 Model #: \_\_\_\_\_



#E10694

Model	Voltage	Output	Enclosure	Carryover	Timing
GM40AV	120-208/240 or 277 VAC	40A DPDT	Type 3R Plastic	No	24-Hour, 15-Minute intervals
GM40AV-M	120-208/240 or 277 VAC	40A DPDT	Mechanism Only	No	24-Hour, 15-Minute intervals
GM40AV-Q	120-208/240 or 277 VAC	40A DPDT	Type 3R Plastic	Yes	24-Hour, 15-Minute intervals
GM40AV-QW	120-208/240 or 277 VAC	40A DPDT	Type 3R Plastic	Yes	7 Day, 2 Hour intervals
GM40AV-W	120-208/240 or 277 VAC	40A DPDT	Type 3R Plastic	No	7 Day, 2 Hour intervals

## Specification

Furnish and install a Grässlin GM40AV\_\_\_\_\_Auto-Voltage 24-Hour Time Switch with captive trippers. Input voltage shall be 120-208/240 or 277 VAC in which the unit detects and selects automatically. All units shall incorporate DPDT contacts that shall be rated at 40 Amp, 2 HP @ 277 VAC. To set the starting time and provide time indication, the unit shall have an authentic clock face with hour and minute hands and 15-minute or 2-hour (W models only) interval captive trippers. LED indicators shall provide power and status feedback. The enclosure shall be UL Type 3R suitable for both indoor or outdoor installation. The time switch shall contain a 3-way OFF/AUTO/ON manual override switch. For Carry-over: "Q" Models shall have a quartz drive with 7 day reserve carry-over.

## Diagrams

