

DRAWING NO.
SC091657-01

COPPER CONDUCTOR ACCOMMODATED		CAT. NO. \triangleleft 7	H \triangleleft 3	J DIA.	L	W	T \triangleleft 3	TORQUE	
AWG	METRIC WIRE SIZE							Lb*in	N*m
8 SOL(.129 DIA.) - 4 STR(.232 DIA.)	[10mm ² SOL(3.58)- 16mm ² STR(5.13)]	GB4C	1.49 [38]	3/8-16	.88 [22]	1.06 [27]	1/4"	240	27.0
4 SOL(.204 DIA.) - 2/0 STR(.418 DIA.)	[25mm ² STR(6.48)- 70mm ² STR(10.9)]	GB26	1.74 [44]	3/8-16	.94 [24]	1.42 [36]			
2/0 SOL(.365 DIA.) - 250 KCMIL(.575 DIA.)	[70mm ² STR(10.9)- 120mm ² STR(14.4)]	GB29	2.32 [59]	1/2-13	1.25 [32]	1.88 [48]			
2/0 SOL(.365 DIA.) - 250 KCMIL(.575 DIA.)	[70mm ² STR(10.9)- 120mm ² STR(14.4)]	GB29TNGSHDWR \triangleleft 6	2.32 [59]	1/2-13	1.25 [32]	1.88 [48]		480	54.1
300 KCMIL(.630 DIA.) - 500 KCMIL(.814 DIA.)	[150mm ² STR(16.0)- 240mm ² STR(20.3)]	GB34	2.57 [65]	1/2-13	1.38 [35]	2.31 [59]			
550 KCMIL(.855 DIA.) - 750 KCMIL(.998 DIA.)	[300mm ² STR(22.6)- [300mm ² STR(22.6)]	GB39	3.28 [83]	5/8-11	1.75 [45]	2.75 [70]			
800 KCMIL(1.031 DIA.) - 1000 KCMIL(1.152 DIA.)	[400mm ² STR(26.1)- 500mm ² STR(28.3)]	GB44	3.28 [83]	5/8-11	1.75 [45]	3.16 [80]		660	75
							660	75	

REV	DATE	DESCRIPTION	ECO	BY	C'H'K.
F	04/27/2012 10:51:00 AM	ADDED UL & CSA NOTE	27364	BSB	MA

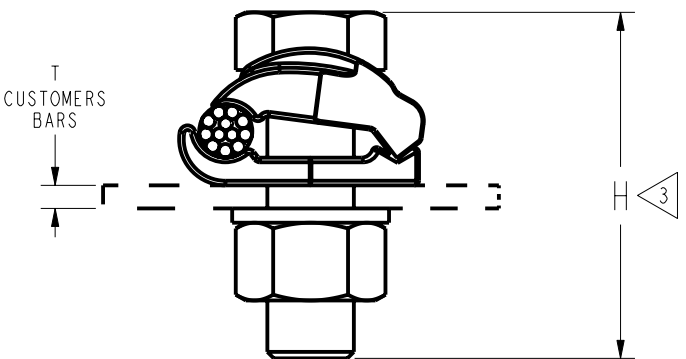
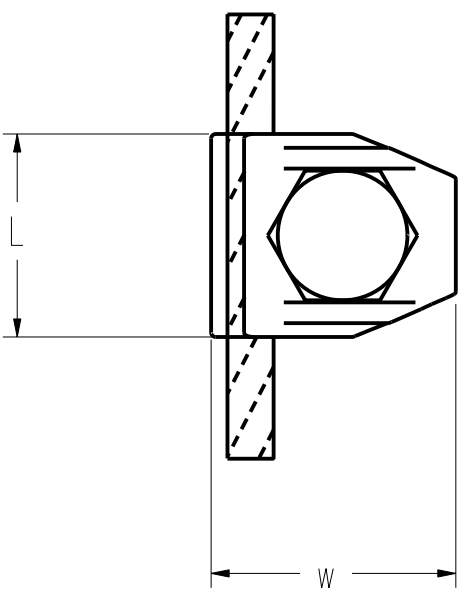


TABLE B

SUFFIX (T)	T	H ADJUST
T2	.25	0.00
T4	.50	0.25
T6	0.75	0.50
T8	1.00	0.75
T10	1.25	1.00

TABLE A

NOTES:

- MATERIAL: CAST COPPER ALLOY.
- DIMENSIONS IN BRACKETS [] ARE IN MILLIMETERS ROUNDED OFF TO THE NEAREST MILLIMETER, UNLESS OTHERWISE NOTED, AND ARE FOR REFERENCE ONLY.
- FOR BAR THICKNESS FROM 1/4" TO 1 1/4" ADD THE SUFFIX "T" FROM TABLE B TO THE CATALOG NUMBER.
- T2 SHOWN IN TABLE FOR REFERENCE ONLY, T2 NOT TO BE INCLUDED IN CATALOG NUMBER.
- FOR TIN PLATED PRODUCT ADD A "W" TO THE END OF THE CATALOG NUMBER (EXGB34W OR GB34T6W)
- CAP & BODY FINISH TO BE TIN PLATED. HARDWARE FINISH TO BE GALVANIZED STEEL. NOT UL LISTED.
- CATALOG NUMBERS WITH A "GS" SUFFIX HAVE GALVANIZED HARDWARE.
- UL 467 LISTED, FILE NO. E9999. ACCEPTABLE FOR DIRECT BURIAL IN EARTH OR CONCRETE, CSA 22.2 NO. 65 LISTED, FILE NO. 42862.

TO ORDER BURNDY® PRODUCTS CALL		GROUND CONNECTOR	
UNITED STATES: 1-800-346-4175 (LONDONDERRY, NH)		ITEM NO: N/A	CAT. NO: GB--(TABLE)
CANADA: 1-800-361-6975 (QUEBEC) 1-800-387-6487 (ALL OTHER PROVINCES)		DRAWN BY: HC 09/17/85	CHECKER: CAR 09/25/85
FOR PRODUCT INFO: http://www.burndy.com		DSN APPVL: MJM 10/15/94	MFG APPVL: --
		GA APPVL: A. LLOYD 12/03/93	MKT APPVL: K. WOO 11/11/93
		SCALE: 2:1	DRAWING NO: SC091657-01
		PROJECT #: --	REV: F
		DOCUMENT TYPE: Sales	SHEET 1 OF 1
		REL LEVEL: Released	



REV: PE0200