

**Description**

The HALO Home smart LED floodlight incorporates Bluetooth® Mesh technology into a durable, twin head design for an advanced outdoor lighting solution built for high performance. Featuring a multitude of configurable settings including grouping, scheduling, dimming and white color tuning, the FTS20C does not require a hub and can be wirelessly controlled directly from any compatible smart device utilizing the Halo Home app, or any Halo Home wireless switch or dimmer.

Catalog #		Type
Project		
Comments		Date
Prepared by		

**Specification Features**

**Wireless System**

- For use with the HALO Home mobile app.
- Bluetooth low energy (BLE) mesh allows on/off and dimming to be controlled wirelessly with companion wall switches, smart phones and tablets using HALO Home mobile app.
- White tuning, grouping, scheduling and countdown timer controlled through HALO Home mobile app.

**Construction**

- Durable die-cast aluminum housing with UV stable clear lens
- Powder coated bronze or white finish

- Optically enhanced reflector improves efficiency and delivered lumens
- Tool-less head adjustment
- Wall or eave mounted to recessed or surface junction boxes

**Electrical**

- For use with 120-277V, 50/60Hz power source
- Maintenance-free LED's with 70,000 hours of life
- Operating temperature of -30°C to 40°C
- cULus listed for wet locations
- External supply wiring 75°C minimum

**Optics**

- Two-stage optics for maximum coverage
- Wirelessly controlled white tuning from 3000K to 5000K CCT (factory default 4000K)
- Wirelessly controlled dimming to 5%

**Warranty**

Five year limited warranty



**HALO Home FTS20C Series**

**Twin Head LED Flood with Bluetooth Mesh Connectivity**

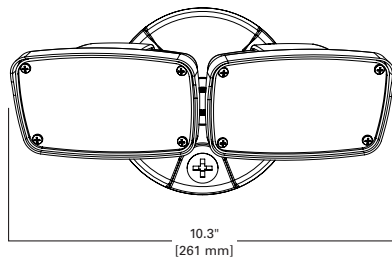
**CCT Adjustable**

**Range from 3000K-5000K**

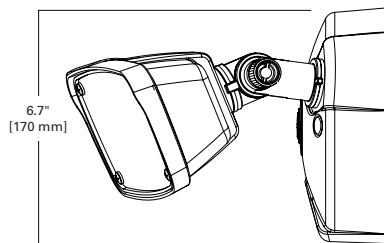


**Dimensions**

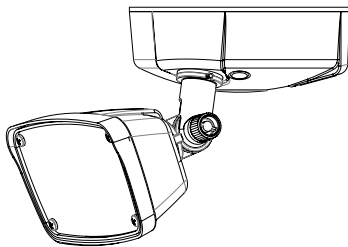
**Front View**



**Side View**



**Eave Mount**



**Ordering Information**

Sample Number: FTS20CW

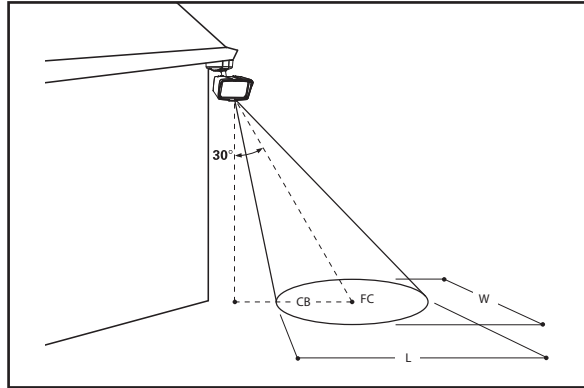
<input type="text"/>	<input type="text"/>	<input type="text"/>	<input type="text"/>	<input type="text"/>
<b>Application</b> FT = Flood, Twin Head	<b>Size</b> S=Small	<b>Nominal Wattage</b> 20 = 20W	<b>Protocol</b> C = Connected Bluetooth Mesh Wireless Control, 4.0	<b>Finish</b> B = Bronze W = White



**CERTIFICATION DATA**  
cULus wet location listed

**TECHNICAL DATA**  
120-277V, 50/60Hz  
-30°C to 40°C  
temperature rating  
External supply wiring 75°  
minimum

**Photometric Data**



Note: Specifications and Dimensions subject to change without notice.

**Area Coverage**

	Mounting Height	Length (L)	Width (W)	Area (Sq. Ft.)	Max F.C.
<b>FTS20C</b>	10 ft.	18	40	720	4.3
	15 ft.	20	40	800	1.9
	20 ft.	20	40	800	1.1

Note: Bronze fixture at a typical mounting angle of 30° from vertical  
 All figures based on minimum footcandle (FC) of 0.5 and 4000K CCT

**Technical Information**

Series	Voltage (V)	Power (W)	Delivered Lumens*	Efficacy (lm/w)*	CCT	CRI*	Protocol
FTS20C	120-277V, 50/60Hz	22.8	2034	89.2	3000K - 5000K	84	Bluetooth Mesh 4.0

\* Based on factory default setting of 4000K CCT

**Description**

The HALO Home smart LED floodlight incorporates Bluetooth® Mesh technology into a durable, twin head design for an advanced outdoor lighting solution built for high performance. Featuring a multitude of configurable settings including grouping, scheduling, dimming and white color tuning, the FTS20C does not require a hub and can be wirelessly controlled directly from any compatible smart device utilizing the Halo Home app, or any Halo Home wireless switch or dimmer.

Catalog #		Type
Project		
Comments		Date
Prepared by		

**Specification Features**

**Wireless System**

- For use with the HALO Home mobile app.
- Bluetooth low energy (BLE) mesh allows on/off and dimming to be controlled wirelessly with companion wall switches, smart phones and tablets using HALO Home mobile app.
- White tuning, grouping, scheduling and countdown timer controlled through HALO Home mobile app.

**Construction**

- Durable die-cast aluminum housing with UV stable clear lens
- Powder coated bronze or white finish

- Optically enhanced reflector improves efficiency and delivered lumens
- Tool-less head adjustment
- Wall or eave mounted to recessed or surface junction boxes

**Electrical**

- For use with 120-277V, 50/60Hz power source
- Maintenance-free LED's with 70,000 hours of life
- Operating temperature of -30°C to 40°C
- cULus listed for wet locations
- External supply wiring 75°C minimum

**Optics**

- Two-stage optics for maximum coverage
- Wirelessly controlled white tuning from 3000K to 5000K CCT (factory default 4000K)
- Wirelessly controlled dimming to 5%

**Warranty**

Five year limited warranty



**HALO Home FTS20C Series**

**Twin Head LED Flood with Bluetooth Mesh Connectivity**

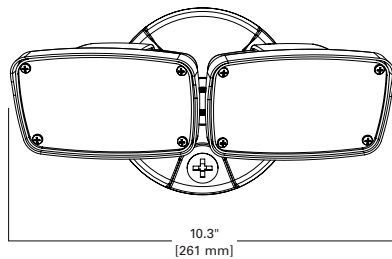
**CCT Adjustable**

**Range from 3000K-5000K**

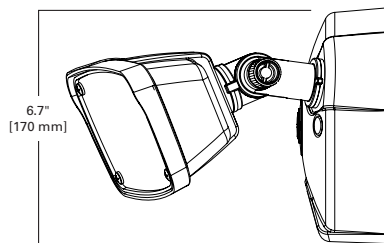


**Dimensions**

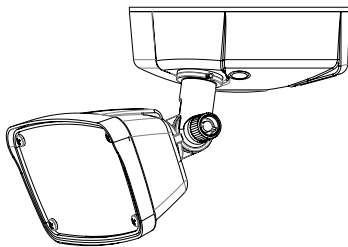
**Front View**



**Side View**



**Eave Mount**



**Ordering Information**

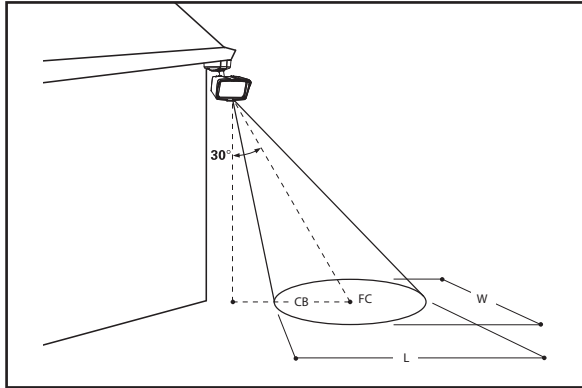
Sample Number: FTS20CW

Application	Size	Nominal Wattage	Protocol	Finish
FT = Flood, Twin Head	S=Small	20 = 20W	C = Connected Bluetooth Mesh Wireless Control, 4.0	B = Bronze W = White

**CERTIFICATION DATA**  
cULus wet location listed

**TECHNICAL DATA**  
120-277V, 50/60Hz  
-30°C to 40°C  
temperature rating  
External supply wiring 75°C minimum

**Photometric Data**



Note: Specifications and Dimensions subject to change without notice.

**Area Coverage**

	Mounting Height	Length (L)	Width (W)	Area (Sq. Ft.)	Max F.C.
<b>FTS20C</b>	10 ft.	18	40	720	4.3
	15 ft.	20	40	800	1.9
	20 ft.	20	40	800	1.1

Note: Bronze fixture at a typical mounting angle of 30° from vertical  
 All figures based on minimum footcandle (FC) of 0.5 and 4000K CCT

**Technical Information**

Series	Voltage (V)	Power (W)	Delivered Lumens*	Efficacy (lm/w)*	CCT	CRI*	Protocol
FTS20C	120-277V, 50/60Hz	22.8	2034	89.2	3000K - 5000K	84	Bluetooth Mesh 4.0

\* Based on factory default setting of 4000K CCT