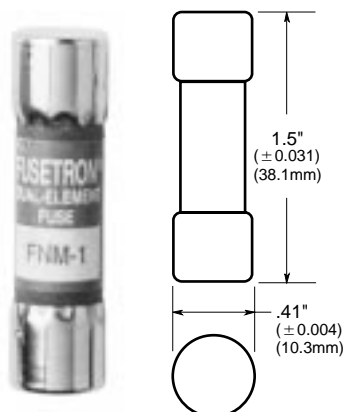



# Time-Delay Ferrule Fuse

FNM

13/32" x 1-1/2"



- Fibre tube.
- For circuits with high inrush currents.
- Formerly designated 5AB.
- Fusetron® Dual-Element fuse.



Recommended fuseblocks/fuseholders for 13/32" x 1-1/2" fuses  
See Data Sheets listed below

- Open fuseblocks - 1104, 2104
- Finger-safe fuseholders - 1109, 1102, 1103, 1151
- Panel-mount fuseholders - 2114, 2113, 2108, 2112, 2109, 2140
- In-line fuseholders - 2127, 2126

**Catalog Symbol:** FNM

TIME-DELAY

1/10 TO 30A

**Interrupting Rating** - SEE CHART BELOW

**UL Listed:** STD. 248-14, 0-10/250Vac; 12-15/125Vac

FILE #E19180, GUIDE #JDYX

**CSA Certified:** 1-10/250Vac; CLASS 1422-01,

12-15/125Vac; FILE 53787

**Electrical Ratings (Catalog Symbol and Amperes)**

| 250Vac IR       | 250Vac IR         | 250Vac IR        | 125Vac          |
|-----------------|-------------------|------------------|-----------------|
| FNM-1/10        | FNM-1-1/8         | FNM-4            | FNM-12 10,000   |
| FNM-1/8         | FNM-1-1/4         | FNM-4-1/2        | FNM-15 @ 125Vac |
| FNM-15/100      | FNM-1-4/10        | FNM-5            | -               |
| FNM-2/10        | FNM-1-1/2         | FNM-5-6/10       | -               |
| FNM-1/4 35A @   | FNM-1-6/10 100A @ | FNM-6            | <b>32Vac</b>    |
| FNM-3/10 250Vac | FNM-1-8/10 250Vac | FNM-6-1/4 200A @ | FNM-20 250Vac   |
| FNM-4/10 10,000 | FNM-2 10,000      | FNM-7 10,000 @   | FNM-25 125Vac   |
| FNM-1/2 @       | FNM-2-1/4 @       | FNM-8 @          | FNM-30          |
| FNM-6/10 125Vac | FNM-2-1/2 125Vac  | FNM-9            | -               |
| FNM-3/4         | FNM-2-8/10        | FNM-10           | -               |
| FNM-8/10        | FNM-3             | -                | -               |
| FNM-1           | FNM-3-2/10        | -                | -               |
| -               | FNM-3-1/2         | -                | -               |

If 250Vac is needed for 12-30A, use FNW series.

**Carton Quantity and Weight**

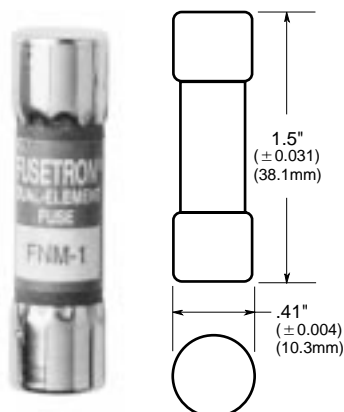
| Ampere Ratings | Carton Qty | Weight |      |
|----------------|------------|--------|------|
|                |            | Lbs.   | Kg.  |
| 0-30           | 10         | .125   | .057 |

CE CE logo denotes compliance with European Union Low Voltage Directive (50-1000Vac, 75-1500Vdc). Refer to Data Sheet: 8002 or contact Bussmann Application Engineering at 636-527-1270 for more information.


# Time-Delay Ferrule Fuse

# FNM

13/32" x 1-1/2"



- Fibre tube.
- For circuits with high inrush currents.
- Formerly designated 5AB.
- Fusetron® Dual-Element fuse.



Recommended fuseblocks/fuseholders for 13/32" x 1-1/2" fuses  
See Data Sheets listed below

- Open fuseblocks - 1104, 2104
- Finger-safe fuseholders - 1109, 1102, 1103, 1151
- Panel-mount fuseholders - 2114, 2113, 2108, 2112, 2109, 2140
- In-line fuseholders - 2127, 2126

**Catalog Symbol:** FNM

TIME-DELAY

1/10 TO 30A

**Interrupting Rating** - SEE CHART BELOW

**UL Listed:** STD. 248-14, 0-10/250Vac; 12-15/125Vac

FILE #E19180, GUIDE #JDYX

**CSA Certified:** 1-10/250Vac; CLASS 1422-01,

12-15/125Vac; FILE 53787

**Electrical Ratings (Catalog Symbol and Amperes)**

| 250Vac IR       | 250Vac IR         | 250Vac IR        | 125Vac          |
|-----------------|-------------------|------------------|-----------------|
| FNM-1/10        | FNM-1-1/8         | FNM-4            | FNM-12 10,000   |
| FNM-1/8         | FNM-1-1/4         | FNM-4-1/2        | FNM-15 @ 125Vac |
| FNM-15/100      | FNM-1-4/10        | FNM-5            | -               |
| FNM-2/10        | FNM-1-1/2         | FNM-5-6/10       | -               |
| FNM-1/4 35A @   | FNM-1-6/10 100A @ | FNM-6            | <b>32Vac</b>    |
| FNM-3/10 250Vac | FNM-1-8/10 250Vac | FNM-6-1/4 200A @ | FNM-20 250Vac   |
| FNM-4/10 10,000 | FNM-2 10,000      | FNM-7 10,000 @   | FNM-25 125Vac   |
| FNM-1/2 @       | FNM-2-1/4 @       | FNM-8 @          | FNM-30          |
| FNM-6/10 125Vac | FNM-2-1/2 125Vac  | FNM-9            | -               |
| FNM-3/4         | FNM-2-8/10        | FNM-10           | -               |
| FNM-8/10        | FNM-3             | -                | -               |
| FNM-1           | FNM-3-2/10        | -                | -               |
| -               | FNM-3-1/2         | -                | -               |

If 250Vac is needed for 12-30A, use FNW series.

**Carton Quantity and Weight**

| Ampere Ratings | Carton Qty | Weight |      |
|----------------|------------|--------|------|
|                |            | Lbs.   | Kg.  |
| 0-30           | 10         | .125   | .057 |

CE CE logo denotes compliance with European Union Low Voltage Directive (50-1000Vac, 75-1500Vdc). Refer to Data Sheet: 8002 or contact Bussmann Application Engineering at 636-527-1270 for more information.