

NEW!
more on
reverse

IN BOX™ Cover Kit for Concrete Floor Box

Recessed Cover Kit with Decorator-style TR Receptacle



IN BOX COVER KIT
Installed and in use

NEW!

FLBC4560DNL
Nickel-plated Brass Cover

FLBC4560DCA
Non-metallic Light Almond

Arlington's new **IN BOX™ COVER KITS** give installers the best way to install a receptacle in new concrete.

These **RECESSED COVER KITS** install *into the can* so they look great! And they reduce the trip hazard caused by plugs sticking out of the box.

You can also have power and low voltage in the same box. Talk about convenience!

IN BOX Cover Kits are available with **metal flanges** in brass or nickel-plated brass. And **plastic, in five colors:** light almond, gray, caramel, black and dark brown.

They're easy to install into our FLBC4500 and FLBC4502 concrete floor boxes (*sold separately*).

Made of heavy-duty plastic, our 4.5" non-metallic **concrete boxes** are a common size, that accommodate **our IN BOX recessed covers and other common single-door, 4" diameter, 3-hole covers.**



EASY INSTALLATION



Keystone holder — ships installed

FLBC4560DGY

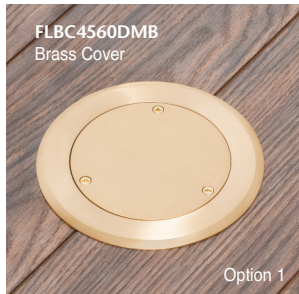


1 After concrete has cured and finished floor installed, cut the installed concrete box to the finished floor height.
If using the low voltage divider, cut the same amount from the bottom of the divider as you removed from the can.



2 Wire receptacle per applicable local, state and national codes. After installation of finished flooring secure leveling ring assembly to installed concrete can using PVC cement.

Seal underside of carpet flange with gasket (included) or if desired, a silicone sealant (*not included*).



3 Option 1
Install gasket and blank cover with (3) supplied #8 x 5/8" flat head machine screws.



Option 2
Install in-use cover. *No screws required.* Store blank cover with screws and gasket for future use.

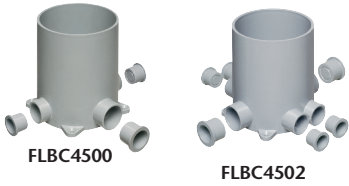


1 Stauffer Industrial Park
Scranton, PA 18517
800/233.4717
Fax 570/562.0646
www.aifittings.com

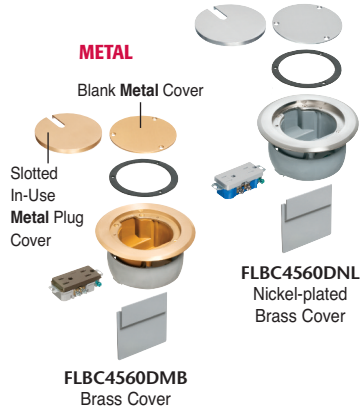
IN BOX™ Cover Kit installs in FLBC4500, FLBC4502

NEW!

Put a **RECESSED** Receptacle in New Concrete – The Easy Way!



CATALOG NUMBER	UPC/DCI/NAED MFG. #018997	DESCRIPTION FINISH/COLOR, COVER STYLE	UNIT PKG	STD PKG
FLBC4500	22010	4.5" Non-metallic ROUND BOX for Concrete Pours - (4) hubs/conduit plugs, mud cover	1	5
FLBC4502	34004	4.5" Non-metallic ROUND BOX for Concrete Pours - (6) hubs/conduit plugs, mud cover	1	5

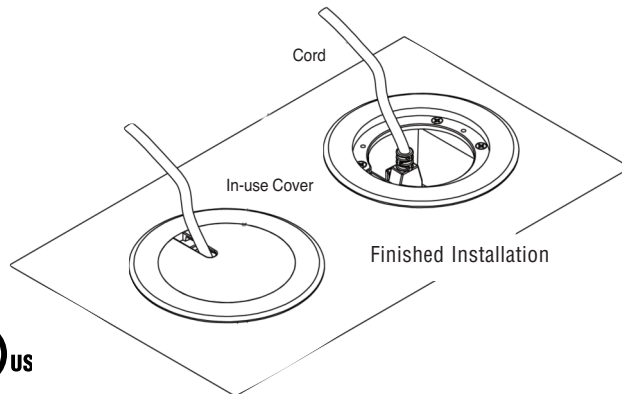
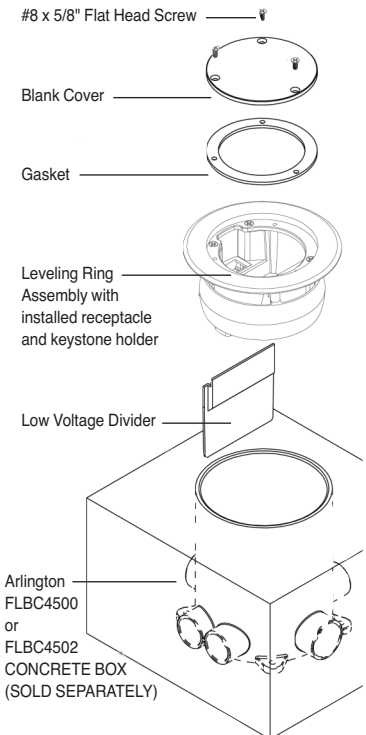
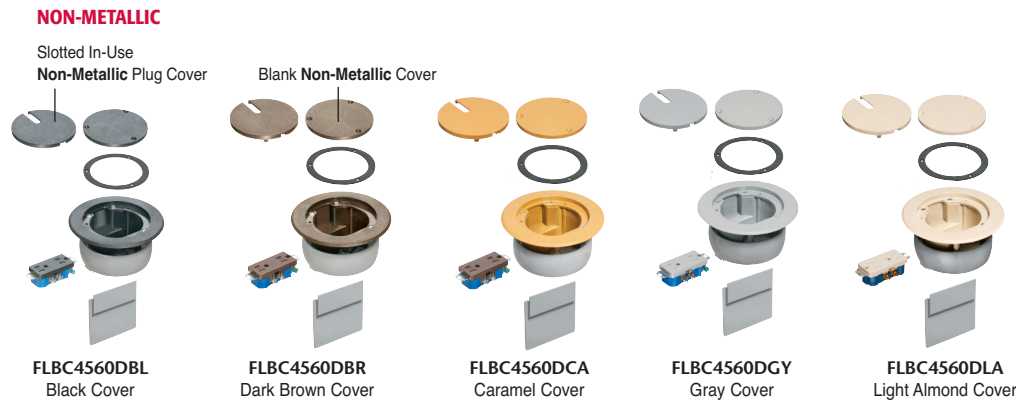


IN BOX™ COVER KIT with METAL FLANGE, BLANK and IN-USE SLOTTED PLUG COVER				
FLBC4560DMB	09105	RECESSED COVER KIT – Brass, w/ Decorator Style Receptacle	1	1
FLBC4560DNL	09106	RECESSED COVER KIT – Nickel plated Brass, w/ Decorator Style Receptacle	1	1

IN BOX™ COVER KIT with PLASTIC FLANGE, BLANK and IN-USE SLOTTED PLUG COVER				
FLBC4560DBL	09100	RECESSED COVER KIT – Black, w/ Black Decorator Style Receptacle	1	1
FLBC4560DBR	09101	RECESSED COVER KIT – Dark Brown, w/ Dark Brown Decorator Style Receptacle	1	1
FLBC4560DCA	09102	RECESSED COVER KIT – Caramel, w/ Dark Brown Decorator Style Receptacle	1	1
FLBC4560DGY	09103	RECESSED COVER KIT – Gray, w/ Gray Decorator Style Receptacle	1	1
FLBC4560DLA	09104	RECESSED COVER KIT – Light Almond, w/ Light Almond Decorator Style Receptacle	1	1

KITS INCLUDE

Leveling ring assembly w/ carpet flange, funnel and *installed* UL Listed, tamper resistant 15 A decorator-style receptacle, low voltage keystone holder insert and blank insert, low voltage divider, blank cover w/ gasket, in-use slotted plug cover, (3) #8 x 5/8" flat head screws



1 Stauffer Industrial Park
Scranton, PA 18517
800/233.4717
Fax 570/562.0646
www.aifittings.com

Distributed by

NEW!
more on
reverse

IN BOX™ Cover Kit for Concrete Floor Box

Recessed Cover Kit with Decorator-style TR Receptacle



IN BOX COVER KIT
Installed and in use

NEW!

FLBC4560DNL
Nickel-plated Brass Cover

FLBC4560DCA
Non-metallic Light Almond

Arlington's new **IN BOX™ COVER KITS** give installers the best way to install a receptacle in new concrete.

These **RECESSED COVER KITS** install *into the can* so they look great! And they reduce the trip hazard caused by plugs sticking out of the box.

You can also have power and low voltage in the same box. Talk about convenience!

IN BOX Cover Kits are available with **metal flanges** in brass or nickel-plated brass. And **plastic, in five colors:** light almond, gray, caramel, black and dark brown.

They're easy to install into our FLBC4500 and FLBC4502 concrete floor boxes (*sold separately*).

Made of heavy-duty plastic, our 4.5" non-metallic **concrete boxes** are a common size, that accommodate **our IN BOX recessed covers and other common single-door, 4" diameter, 3-hole covers.**



EASY INSTALLATION



1 After concrete has cured and finished floor installed, cut the installed concrete box to the finished floor height.
If using the low voltage divider, cut the same amount from the bottom of the divider as you removed from the can.



2 Wire receptacle per applicable local, state and national codes. After installation of finished flooring secure leveling ring assembly to installed concrete can using PVC cement.

Seal underside of carpet flange with gasket (included) or if desired, a silicone sealant (*not included*).



3 Option 1
Install gasket and blank cover with (3) supplied #8 x 5/8" flat head machine screws.



Option 2
Install in-use cover. *No screws required.* Store blank cover with screws and gasket for future use.

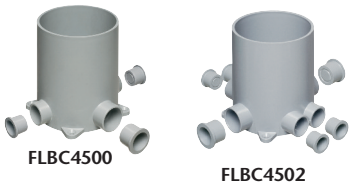


1 Stauffer Industrial Park
Scranton, PA 18517
800/233.4717
Fax 570/562.0646
www.aifittings.com

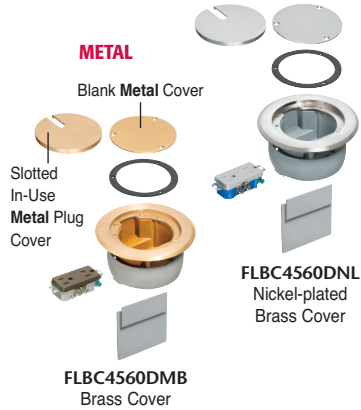
IN BOX™ Cover Kit installs in FLBC4500, FLBC4502

NEW!

Put a **RECESSED** Receptacle in New Concrete – The Easy Way!



CATALOG NUMBER	UPC/DCI/NAED MFG. #018997	DESCRIPTION FINISH/COLOR, COVER STYLE	UNIT PKG	STD PKG
FLBC4500	22010	4.5" Non-metallic ROUND BOX for Concrete Pours - (4) hubs/conduit plugs, mud cover	1	5
FLBC4502	34004	4.5" Non-metallic ROUND BOX for Concrete Pours - (6) hubs/conduit plugs, mud cover	1	5

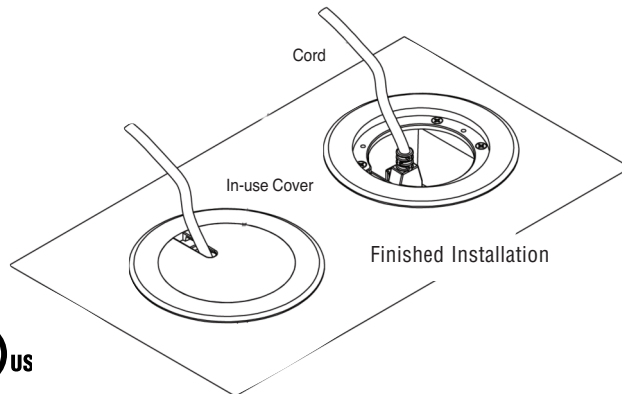
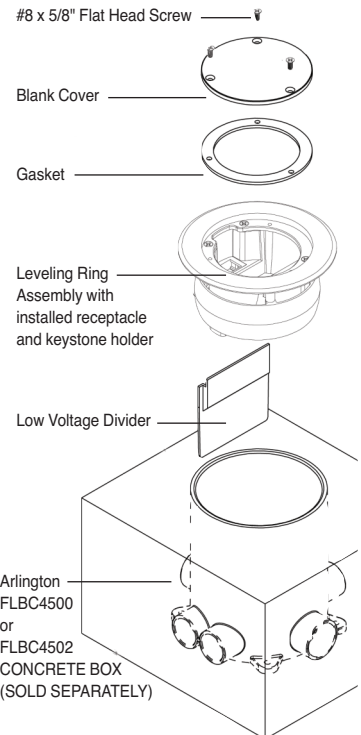
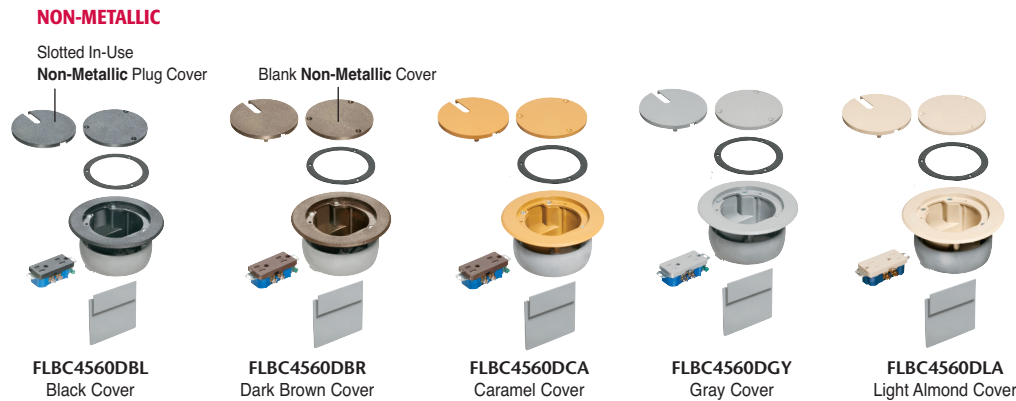


IN BOX™ COVER KIT with METAL FLANGE, BLANK and IN-USE SLOTTED PLUG COVER				
FLBC4560DMB	09105	RECESSED COVER KIT – Brass, w/ Decorator Style Receptacle	1	1
FLBC4560DNL	09106	RECESSED COVER KIT – Nickel plated Brass, w/ Decorator Style Receptacle	1	1

IN BOX™ COVER KIT with PLASTIC FLANGE, BLANK and IN-USE SLOTTED PLUG COVER				
FLBC4560DBL	09100	RECESSED COVER KIT – Black, w/ Black Decorator Style Receptacle	1	1
FLBC4560DBR	09101	RECESSED COVER KIT – Dark Brown, w/ Dark Brown Decorator Style Receptacle	1	1
FLBC4560DCA	09102	RECESSED COVER KIT – Caramel, w/ Dark Brown Decorator Style Receptacle	1	1
FLBC4560DGY	09103	RECESSED COVER KIT – Gray, w/ Gray Decorator Style Receptacle	1	1
FLBC4560DLA	09104	RECESSED COVER KIT – Light Almond, w/ Light Almond Decorator Style Receptacle	1	1

KITS INCLUDE

Leveling ring assembly w/ carpet flange, funnel and *installed* UL Listed, tamper resistant 15 A decorator-style receptacle, low voltage keystone holder insert and blank insert, low voltage divider, blank cover w/ gasket, in-use slotted plug cover, (3) #8 x 5/8" flat head screws



1 Stauffer Industrial Park
Scranton, PA 18517
800/233.4717
Fax 570/562.0646
www.aifittings.com

Distributed by

