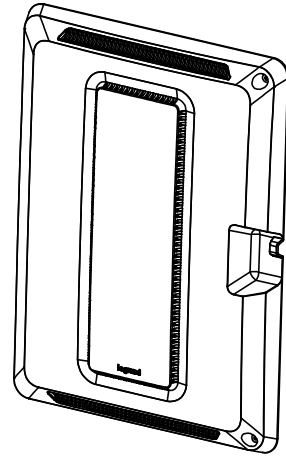
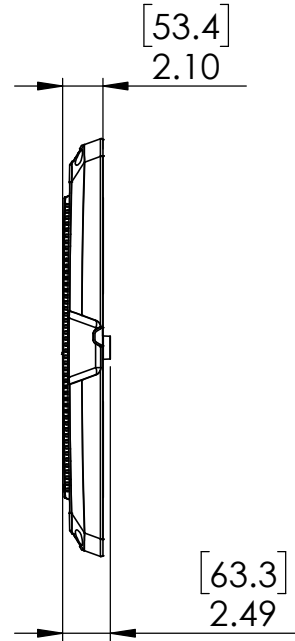
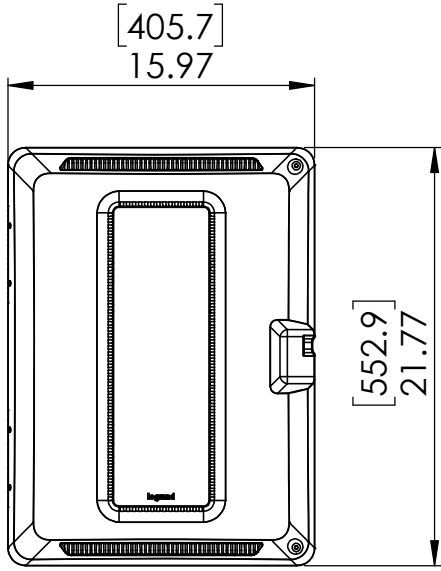


2

1


B

B



A

A

DIMENSIONS ARE IN INCHES UNLESS OTHERWISE SPECIFIED		DRAWN -	DATE -	 P.O. Box 60907 Harrisburg, PA 17106-0907 1-800-321-2343	
TOLERANCES 2 PLACE DECIMAL ± .02 3 PLACE DECIMAL ± .005 4 PLACE DECIMAL ± .0005 ANGULAR ± 30'		APPROVED -	DATE -		DESCRIPTION:
MATERIAL	PROPRIETARY AND CONFIDENTIAL THE INFORMATION CONTAINED IN THIS DRAWING IS THE SOLE PROPERTY OF OnQ/LEGRAND. ANY REPRODUCTION IN PART OR AS A WHOLE WITHOUT THE WRITTEN PERMISSION OF OnQ/LEGRAND IS PROHIBITED.			20" COVER	
FINISH					
WEIGHT					
DRAWING IS 3RD ANGLE PROJECTION DO NOT SCALE DRAWING					
SIZE A	DWG NO ENP2060	REV A	SCALE 1:5	SURFACE AREA	SHEET 1 OF 1

2

1