



Catalog Number
Notes
Type

Contractor Select™

ECC

Low Profile Emergency Light/Exit Combo

The low-profile, Lithonia Lighting® ECC, LED light, is a combination of exit and emergency lighting. It's low profile design with small, unobtrusive dual lamp heads makes the ECC ideal for safely illuminating the path of egress above-the-door in small spaces at lower mounting heights while providing 90 minutes of emergency power. Available in red and green letters.



FEATURES:

- Test switch and status indicator
- UL indoor damp location 50°F to 104°F (10°C to 40°C) listed standard
- For use with dual voltage 120/277VAC



Catalog Number	UPC	Description	Supply Voltage	Input Wattage		Input Amps		Pallet Qty	Carton Qty
				120	277	120	277		
ECC R M6	191848035597	LED Exit/Unit Combo Red	120/277V	1.4W	1.7W	.08	.09	360	6
ECC R REM M6	191848035702	LED Exit/Unit Combo Red with 2.5W of remote capacity	120/277V	1.6W	1.6W	.12	.11	360	6
ECC G M6	191848035733	LED Exit/Unit Combo Green	120/277V	1.1W	1.3W	.08	.09	360	6
ECC G REM M6	191848035740	LED Exit/Unit Combo Green with 2.5W of remote capacity	120/277V	1.6W	1.6W	.12	.11	360	6

Battery Capacity and Loading (REM only)

Battery	Total Capacity	Maximum# Remote Lamp Heads*
3.6V	4W	2 - ERE SGL M24
		1 - ERE T M24
		2 - ERE GY SGL WP M12
		1 - ERE GY T WP M12

* Remotes are in addition to the lamp heads on the product.

Accessories: Order as separate catalog number.	
ERE SGL	Single, indoor remote head, white, 0.75W, 3.6V. See spec sheet ERE .
ERE T	Twin, indoor remote head, white, 1.5W, 3.6V. See spec sheet ERE .
ERE GY SGL WP	Single, weather-proof remote head, gray, 1W, 3.6V-12V voltage sensing. See spec sheet ERE .
ERE GY T WP	Twin, weather-proof, remote head, gray, 2W, 3.6V-12V voltage sensing. See spec sheet ERE .
ELA WG3	Wireguard, 30 5/8"W x 13 3/4"H x 6"D. See spec sheet ELA-WG .
ELA WG2M	Wireguard, 21-1/4" W x 15" H x 12" D. See spec sheet ELA-WG .



Specifications

INTENDED USE:

Provides a minimum of 90 minutes illumination for the rated wattage upon loss of AC power to meet code required emergency lighting. Ideal for applications requiring low profile, emergency unit for lower mounting heights.

CONSTRUCTION:

The housing is a standard white thermoplastic with a compact and low-profile design with all-inclusive lamp, reflector and lens assembly. It is 5VA flame rated and impact-resistant.

OPTICS:

The typical life of the LED is 10 years. One, 0.75W white LED per lamp head.

ELECTRICAL:

Dual-voltage 120/277 standard.

Bi-color LED status indicator for battery condition. (Green-normal, Red-check battery).

Two and a half watts of additional remote capacity with ECC R REM M6 and ECC G REM M6.

BATTERY: 3.6V maintenance-free, rechargeable, nickel-cadmium.

INSTALLATION:

Top, side and back mount. Mounting pattern on canopy (top and side mount) and back plate (back mount) fits most standard size junction boxes.

LISTINGS:

UL Listed. Meets all applicable requirements for UL 924, NFPA 101 (current Life Safety Code), NFPA 70 (NEC), FCC and OSHA.

Indoor damp location 50°F to 104°F (10°C to 40°C) listed.

WARRANTY:

2-year limited warranty. Complete warranty terms located at:

www.acuitybrands.com/CustomerResources/Terms_and_conditions.aspx

Note: Actual performance may differ as a result of end-user environment and application.

All values are design or typical values, measured under laboratory conditions at 25 °C.

Specifications subject to change without notice.

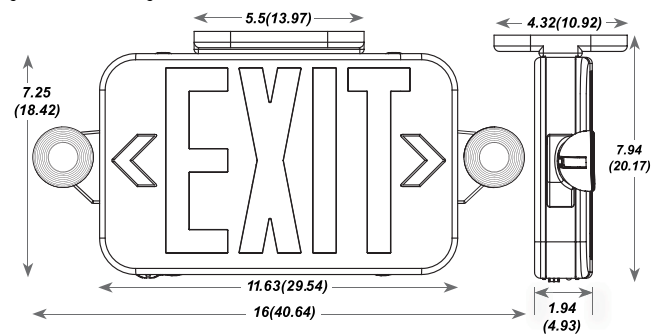
Dimensions

Length: 16 (40.64)

Depth: 1.94 (4.93)

Height: 7.25 (18.42)

Weight: 2.15 lbs (.98kg)



All dimensions are inches (centimeters) unless otherwise indicated.



Catalog Number
Notes
Type

Contractor Select™

ECC

Low Profile Emergency Light/Exit Combo

The low-profile, Lithonia Lighting® ECC, LED light, is a combination of exit and emergency lighting. It's low profile design with small, unobtrusive dual lamp heads makes the ECC ideal for safely illuminating the path of egress above-the-door in small spaces at lower mounting heights while providing 90 minutes of emergency power. Available in red and green letters.



FEATURES:

- Test switch and status indicator
- UL indoor damp location 50°F to 104°F (10°C to 40°C) listed standard
- For use with dual voltage 120/277VAC



Catalog Number	UPC	Description	Supply Voltage	Input Wattage		Input Amps		Pallet Qty	Carton Qty
				120	277	120	277		
ECC R M6	191848035597	LED Exit/Unit Combo Red	120/277V	1.4W	1.7W	.08	.09	360	6
ECC R REM M6	191848035702	LED Exit/Unit Combo Red with 2.5W of remote capacity	120/277V	1.6W	1.6W	.12	.11	360	6
ECC G M6	191848035733	LED Exit/Unit Combo Green	120/277V	1.1W	1.3W	.08	.09	360	6
ECC G REM M6	191848035740	LED Exit/Unit Combo Green with 2.5W of remote capacity	120/277V	1.6W	1.6W	.12	.11	360	6

Battery Capacity and Loading (REM only)

Battery	Total Capacity	Maximum# Remote Lamp Heads*
3.6V	4W	2 - ERE SGL M24
		1 - ERE T M24
		2 - ERE GY SGL WP M12
		1 - ERE GY T WP M12

* Remotes are in addition to the lamp heads on the product.

Accessories: Order as separate catalog number.	
ERE SGL	Single, indoor remote head, white, 0.75W, 3.6V. See spec sheet ERE .
ERE T	Twin, indoor remote head, white, 1.5W, 3.6V. See spec sheet ERE .
ERE GY SGL WP	Single, weather-proof remote head, gray, 1W, 3.6V-12V voltage sensing. See spec sheet ERE .
ERE GY T WP	Twin, weather-proof, remote head, gray, 2W, 3.6V-12V voltage sensing. See spec sheet ERE .
ELA WG3	Wireguard, 30 5/8"W x 13 3/4"H x 6"D. See spec sheet ELA-WG .
ELA WG2M	Wireguard, 21-1/4" W x 15" H x 12" D. See spec sheet ELA-WG .



Specifications

INTENDED USE:

Provides a minimum of 90 minutes illumination for the rated wattage upon loss of AC power to meet code required emergency lighting. Ideal for applications requiring low profile, emergency unit for lower mounting heights.

CONSTRUCTION:

The housing is a standard white thermoplastic with a compact and low-profile design with all-inclusive lamp, reflector and lens assembly. It is 5VA flame rated and impact-resistant.

OPTICS:

The typical life of the LED is 10 years. One, 0.75W white LED per lamp head.

ELECTRICAL:

Dual-voltage 120/277 standard.

Bi-color LED status indicator for battery condition. (Green-normal, Red-check battery).

Two and a half watts of additional remote capacity with ECC R REM M6 and ECC G REM M6.

BATTERY: 3.6V maintenance-free, rechargeable, nickel-cadmium.

INSTALLATION:

Top, side and back mount. Mounting pattern on canopy (top and side mount) and back plate (back mount) fits most standard size junction boxes.

LISTINGS:

UL Listed. Meets all applicable requirements for UL 924, NFPA 101 (current Life Safety Code), NFPA 70 (NEC), FCC and OSHA.

Indoor damp location 50°F to 104°F (10°C to 40°C) listed.

WARRANTY:

2-year limited warranty. Complete warranty terms located at:

www.acuitybrands.com/CustomerResources/Terms_and_conditions.aspx

Note: Actual performance may differ as a result of end-user environment and application.

All values are design or typical values, measured under laboratory conditions at 25 °C.

Specifications subject to change without notice.

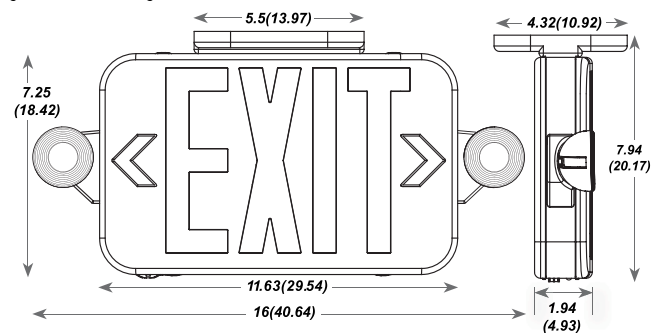
Dimensions

Length: 16 (40.64)

Depth: 1.94 (4.93)

Height: 7.25 (18.42)

Weight: 2.15 lbs (.98kg)



All dimensions are inches (centimeters) unless otherwise indicated.