

AMERICAN FITTINGS

EMT Fittings Alloy Steel Made in the USA

Connectors & Couplings Compression



Since 1946

SPEC-grade™

UL Rated Concrete Tight When Taped
Size Range: 1/2" - 4" Alloy Steel
EC Series Connectors & Couplings Compression
 UL Rated Concrete Tight When Taped
 Rain Tight Available See EC RT Series
 Connectors Furnished with:
 Industrial Grade Steel Locknut Furnished

Available:
 Solid Alloy Steel Construction, Precision Machined
 EC Series: Compression Feature:
AMFICO EZTorque Compression Nut
 Zinc Plated, Chromate Finish - Colors available
 Insulated Throat Bushing Option Available on Connectors*



2 1/2" through 4" features AMFICO's Compact Low Profile Design

EZ Torque™
 Compression Nuts

EMT AMFICO SPEC-grade™ Connectors & Couplings Compression

Cat #	Trade Size"	Description	Box Qty.	Carton Qty	NAED UPC
EC750US	1/2	EMT Steel Compression Connector USA	50	250	66236401770
EC751US	3/4	EMT Steel Compression Connector USA	25	250	66236401771
EC752US	1	EMT Steel Compression Connector USA	20	100	66236401772
EC753US	1 1/4	EMT Steel Compression Connector USA	5	50	66236401773
EC754US	1 1/2	EMT Steel Compression Connector USA	5	25	66236401774
EC755US	2	EMT Steel Compression Connector USA	5	25	66236401775
EC756US	2 1/2	EMT Steel Compression Connector USA	-	5	66236401776
EC757US	3	EMT Steel Compression Connector USA	-	3	66236401777
EC758US	3 1/2	EMT Steel Compression Connector USA	-	3	66236401778
EC759US	4	EMT Steel Compression Connector USA	-	2	66236401779
EC760US	1/2	EMT Steel Compression Coupling USA	50	250	66236401780
EC761US	3/4	EMT Steel Compression Coupling USA	25	125	66236401781
EC762US	1	EMT Steel Compression Coupling USA	20	100	66236401782
EC763US	1 1/4	EMT Steel Compression Coupling USA	5	50	66236401783
EC764US	1 1/2	EMT Steel Compression Coupling USA	5	25	66236401784
EC765US	2	EMT Steel Compression Coupling USA	5	25	66236401785
EC766US	2 1/2	EMT Steel Compression Coupling USA	-	5	66236401786
EC767US	3	EMT Steel Compression Coupling USA	-	3	66236401787
EC768US	3 1/2	EMT Steel Compression Coupling USA	-	2	66236401788
EC769US	4	EMT Steel Compression Coupling USA	-	2	66236401789

Options

* Insulated Throat Bushings Rated 105° on Connectors Available:
 Add suffix "B" to above cat #'s:i.e. ECXXXXB
 Color Coded Fittings Available Consult Factory for Details

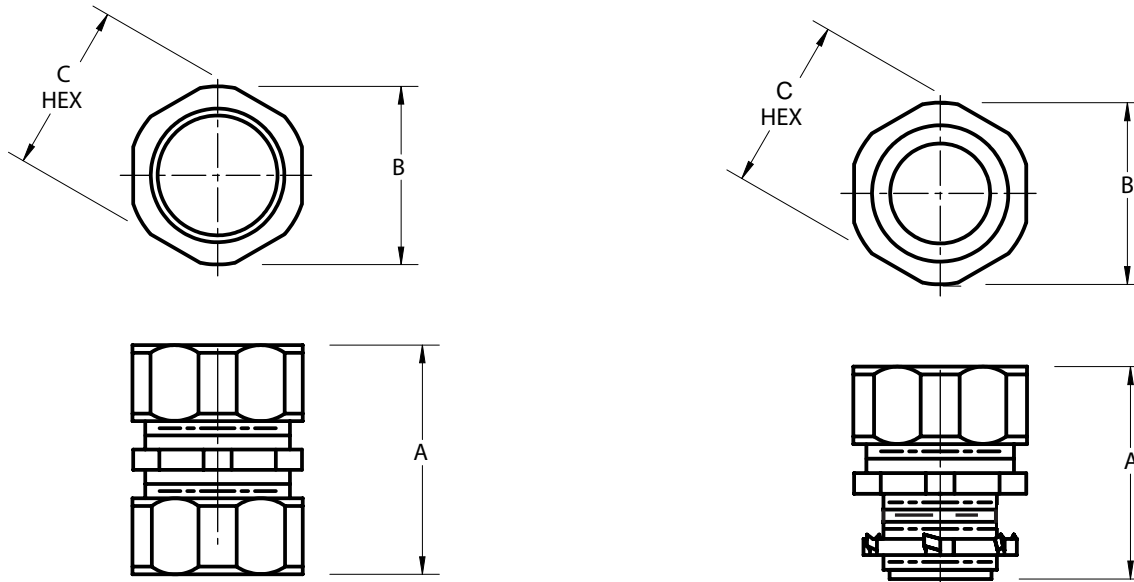
AMERICAN FITTINGS

EMT Fittings Alloy Steel Made in the USA
Connectors & Couplings Compression



Since 1946

EMT AMFICO SPEC-grade™ Connectors & Couplings Compression



1/2 the Size and Weight of All Die Cast, Malleable Iron or Off Shore Steel Fittings, TWICE the Strength & Corrosion Resistance

DIMENSION TABLE

Connectors

Couplings

Cat#	Trade Size	"A"	"B"	"C"	Wt./c	Cat#	Trade Size	"A"	"B"	"C"	Wt./c
EC750US	1/2"	1-1/8"	1"	15/16"	8	EC760US	1/2"	1-3/8"	1"	15/16"	8
EC751US	3/4"	1-3/16"	1-7/32"	1-3/16"	12	EC761US	3/4"	1-7/16"	1-7/32"	1-3/16"	13
EC752US	1"	1-5/16"	1-1/2"	1-7/16"	19	EC762US	1"	1-17/32"	1-1/2"	1-7/16"	19
EC753US	1-1/4"	1-9/16"	1-7/8"	1-13/16"	30	EC763US	1-1/4"	1-27/32"	1-7/8"	1-13/16"	30
EC754US	1-1/2"	1-11/16"	2-5/32"	2-1/16"	46	EC764US	1-1/2"	2-1/16"	2-5/32"	2-1/16"	46
EC755US	2"	1-7/8"	2-7/8"	2-9/16"	55	EC765US	2"	2-1/4"	2-7/8"	2-9/16"	60
EC756US	2-1/2"	3-1/8"	3-13/32"	3-1/4"	120	EC766US	2-1/2"	3-5/8"	3-13/32"	3-1/4"	133
EC757US	3"	3-1/16"	4"	3-29/32"	165	EC767US	3"	3-11/16"	4"	3-29/32"	171
EC758US	3-1/2"	3-1/16"	4-9/16"	4-13/32"	201	EC768US	3-1/2"	3-19/32"	4-9/16"	4-13/32"	205
EC759US	4"	3-1/16"	5-3/32"	4-29/32"	237	EC769US	4"	3-5/8"	5-3/32"	4-29/32"	238

Compliances:

Certified Made in the USA

UL 514B

NEMA Standard FB1

Certified for MIL-STD 810 Sinusoidal Vibrations

Federal Standard A-A-50553

UL Standards: 514B, 467

CSA Standard: C22.2 No. 18F

RoHS Compliant



- No need to disassemble AMFICO fittings prior to installation. AMFICO EMT Compression Fittings are designed so that when they come out of the carton they can be installed.

- No need for special tools to properly install AMFICO EMT fittings. AMFICO's fittings feature our EZ Torque Compression nuts with true precision machined cut steel threads, fit tight, right everytime.

AMERICAN FITTINGS

EMT Fittings Alloy Steel Made in the USA

Connectors & Couplings Compression



Since 1946

SPEC-grade™

UL Rated Concrete Tight When Taped
Size Range: 1/2" - 4" Alloy Steel
EC Series Connectors & Couplings Compression
 UL Rated Concrete Tight When Taped
 Rain Tight Available See EC RT Series
 Connectors Furnished with:
 Industrial Grade Steel Locknut Furnished

Available:
 Solid Alloy Steel Construction, Precision Machined
 EC Series: Compression Feature:
AMFICO EZTorque Compression Nut
 Zinc Plated, Chromate Finish - Colors available
 Insulated Throat Bushing Option Available on Connectors*



2 1/2" through 4" features AMFICO's Compact Low Profile Design

EZ Torque™
 Compression Nuts

EMT AMFICO SPEC-grade™ Connectors & Couplings Compression

Cat #	Trade Size"	Description	Box Qty.	Carton Qty	NAED UPC
EC750US	1/2	EMT Steel Compression Connector USA	50	250	66236401770
EC751US	3/4	EMT Steel Compression Connector USA	25	250	66236401771
EC752US	1	EMT Steel Compression Connector USA	20	100	66236401772
EC753US	1 1/4	EMT Steel Compression Connector USA	5	50	66236401773
EC754US	1 1/2	EMT Steel Compression Connector USA	5	25	66236401774
EC755US	2	EMT Steel Compression Connector USA	5	25	66236401775
EC756US	2 1/2	EMT Steel Compression Connector USA	-	5	66236401776
EC757US	3	EMT Steel Compression Connector USA	-	3	66236401777
EC758US	3 1/2	EMT Steel Compression Connector USA	-	3	66236401778
EC759US	4	EMT Steel Compression Connector USA	-	2	66236401779
EC760US	1/2	EMT Steel Compression Coupling USA	50	250	66236401780
EC761US	3/4	EMT Steel Compression Coupling USA	25	125	66236401781
EC762US	1	EMT Steel Compression Coupling USA	20	100	66236401782
EC763US	1 1/4	EMT Steel Compression Coupling USA	5	50	66236401783
EC764US	1 1/2	EMT Steel Compression Coupling USA	5	25	66236401784
EC765US	2	EMT Steel Compression Coupling USA	5	25	66236401785
EC766US	2 1/2	EMT Steel Compression Coupling USA	-	5	66236401786
EC767US	3	EMT Steel Compression Coupling USA	-	3	66236401787
EC768US	3 1/2	EMT Steel Compression Coupling USA	-	2	66236401788
EC769US	4	EMT Steel Compression Coupling USA	-	2	66236401789

Options

* Insulated Throat Bushings Rated 105° on Connectors Available:
 Add suffix "B" to above cat #'s:i.e. ECXXXXB
 Color Coded Fittings Available Consult Factory for Details

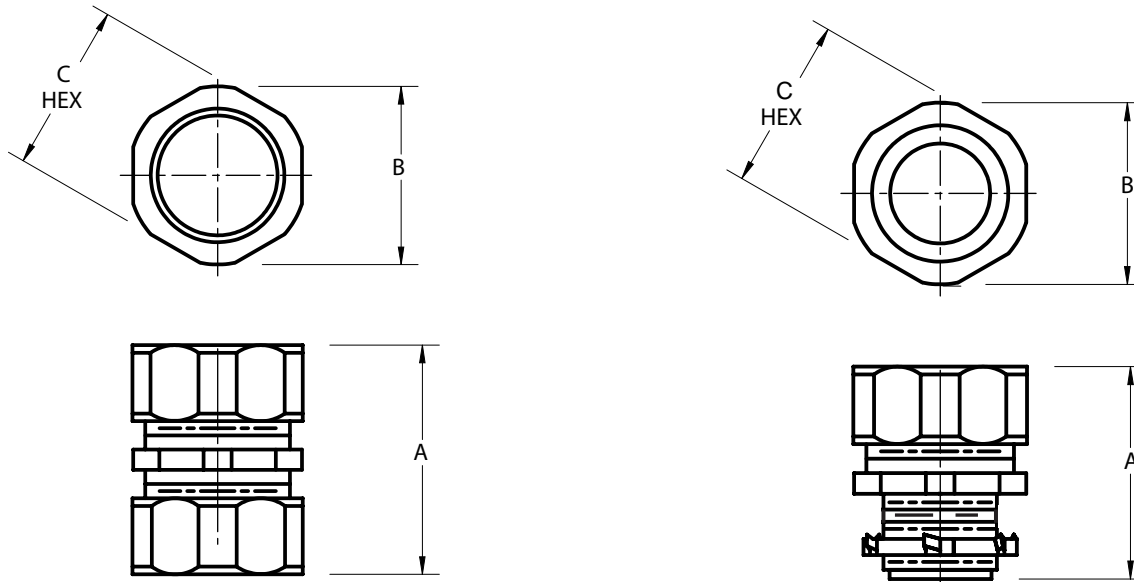
AMERICAN FITTINGS

EMT Fittings Alloy Steel Made in the USA
Connectors & Couplings Compression



Since 1946

EMT AMFICO SPEC-grade™ Connectors & Couplings Compression



1/2 the Size and Weight of All Die Cast, Malleable Iron or Off Shore Steel Fittings, TWICE the Strength & Corrosion Resistance

DIMENSION TABLE

Connectors

Couplings

Cat#	Trade Size	"A"	"B"	"C"	Wt./c	Cat#	Trade Size	"A"	"B"	"C"	Wt./c
EC750US	1/2"	1-1/8"	1"	15/16"	8	EC760US	1/2"	1-3/8"	1"	15/16"	8
EC751US	3/4"	1-3/16"	1-7/32"	1-3/16"	12	EC761US	3/4"	1-7/16"	1-7/32"	1-3/16"	13
EC752US	1"	1-5/16"	1-1/2"	1-7/16"	19	EC762US	1"	1-17/32"	1-1/2"	1-7/16"	19
EC753US	1-1/4"	1-9/16"	1-7/8"	1-13/16"	30	EC763US	1-1/4"	1-27/32"	1-7/8"	1-13/16"	30
EC754US	1-1/2"	1-11/16"	2-5/32"	2-1/16"	46	EC764US	1-1/2"	2-1/16"	2-5/32"	2-1/16"	46
EC755US	2"	1-7/8"	2-7/8"	2-9/16"	55	EC765US	2"	2-1/4"	2-7/8"	2-9/16"	60
EC756US	2-1/2"	3-1/8"	3-13/32"	3-1/4"	120	EC766US	2-1/2"	3-5/8"	3-13/32"	3-1/4"	133
EC757US	3"	3-1/16"	4"	3-29/32"	165	EC767US	3"	3-11/16"	4"	3-29/32"	171
EC758US	3-1/2"	3-1/16"	4-9/16"	4-13/32"	201	EC768US	3-1/2"	3-19/32"	4-9/16"	4-13/32"	205
EC759US	4"	3-1/16"	5-3/32"	4-29/32"	237	EC769US	4"	3-5/8"	5-3/32"	4-29/32"	238

Compliances:

Certified Made in the USA

UL 514B

NEMA Standard FB1

Certified for MIL-STD 810 Sinusoidal Vibrations

Federal Standard A-A-50553

UL Standards: 514B, 467

CSA Standard: C22.2 No. 18F

RoHS Compliant



- No need to disassemble AMFICO fittings prior to installation. AMFICO EMT Compression Fittings are designed so that when they come out of the carton they can be installed.

- No need for special tools to properly install AMFICO EMT fittings. AMFICO's fittings feature our EZ Torque Compression nuts with true precision machined cut steel threads, fit tight, right everytime.