

# AMERICAN FITTINGS

## EMT Fittings Alloy Steel Made in the USA Connectors & Couplings Compression



Since 1946

**SPEC-grade™**

UL Rated Concrete Tight When Taped  
**Size Range: 1/2" - 4" Alloy Steel**  
**EC Series Connectors & Couplings Compression**  
 UL Rated Concrete Tight When Taped  
 Rain Tight Available See EC RT Series  
 Connectors Furnished with:  
 Industrial Grade Steel Locknut Furnished

**Available:**  
 Solid Alloy Steel Construction, Precision Machined  
 EC Series: Compression Feature:  
**AMFICO EZTorque Compression Nut**  
 Zinc Plated, Chromate Finish - Colors available  
 Insulated Throat Bushing Option Available on Connectors\*



2 1/2" through 4" features AMFICO's Compact Low Profile Design

**EZ Torque™**  
 Compression Nuts

### EMT AMFICO SPEC-grade™ Connectors & Couplings Compression

| Cat #   | Trade Size" | Description                         | Box Qty. | Carton Qty | NAED UPC    |
|---------|-------------|-------------------------------------|----------|------------|-------------|
| EC750US | 1/2         | EMT Steel Compression Connector USA | 50       | 250        | 66236401770 |
| EC751US | 3/4         | EMT Steel Compression Connector USA | 25       | 250        | 66236401771 |
| EC752US | 1           | EMT Steel Compression Connector USA | 20       | 100        | 66236401772 |
| EC753US | 1 1/4       | EMT Steel Compression Connector USA | 5        | 50         | 66236401773 |
| EC754US | 1 1/2       | EMT Steel Compression Connector USA | 5        | 25         | 66236401774 |
| EC755US | 2           | EMT Steel Compression Connector USA | 5        | 25         | 66236401775 |
| EC756US | 2 1/2       | EMT Steel Compression Connector USA | -        | 5          | 66236401776 |
| EC757US | 3           | EMT Steel Compression Connector USA | -        | 3          | 66236401777 |
| EC758US | 3 1/2       | EMT Steel Compression Connector USA | -        | 3          | 66236401778 |
| EC759US | 4           | EMT Steel Compression Connector USA | -        | 2          | 66236401779 |
| EC760US | 1/2         | EMT Steel Compression Coupling USA  | 50       | 250        | 66236401780 |
| EC761US | 3/4         | EMT Steel Compression Coupling USA  | 25       | 125        | 66236401781 |
| EC762US | 1           | EMT Steel Compression Coupling USA  | 20       | 100        | 66236401782 |
| EC763US | 1 1/4       | EMT Steel Compression Coupling USA  | 5        | 50         | 66236401783 |
| EC764US | 1 1/2       | EMT Steel Compression Coupling USA  | 5        | 25         | 66236401784 |
| EC765US | 2           | EMT Steel Compression Coupling USA  | 5        | 25         | 66236401785 |
| EC766US | 2 1/2       | EMT Steel Compression Coupling USA  | -        | 5          | 66236401786 |
| EC767US | 3           | EMT Steel Compression Coupling USA  | -        | 3          | 66236401787 |
| EC768US | 3 1/2       | EMT Steel Compression Coupling USA  | -        | 2          | 66236401788 |
| EC769US | 4           | EMT Steel Compression Coupling USA  | -        | 2          | 66236401789 |

#### Options

\* Insulated Throat Bushings Rated 105° on Connectors Available:  
 Add suffix "B" to above cat #'s:i.e. ECXXXXB  
 Color Coded Fittings Available Consult Factory for Details

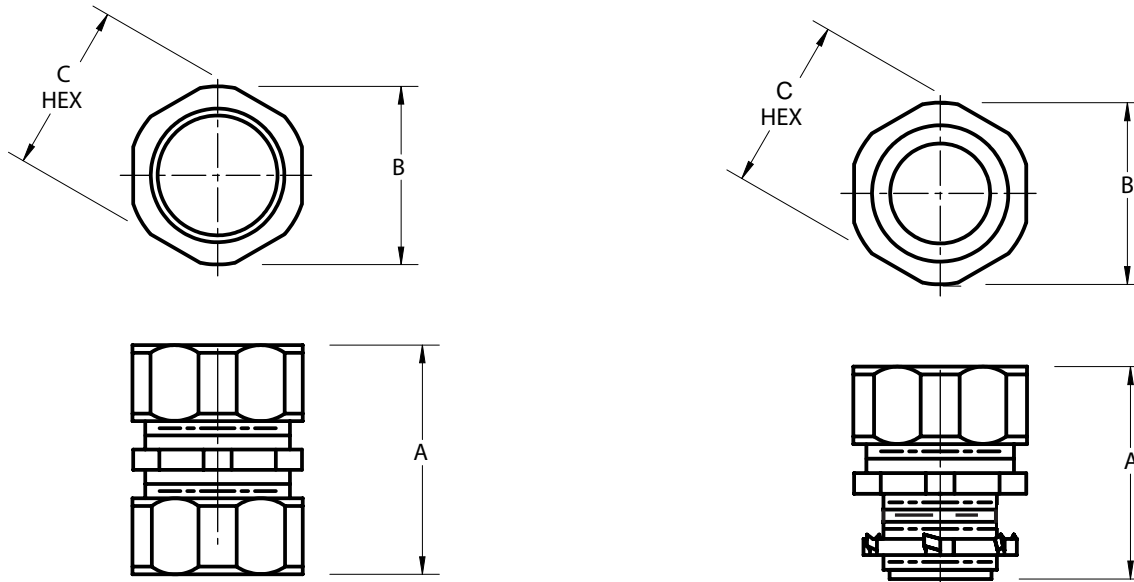
# AMERICAN FITTINGS

EMT Fittings Alloy Steel Made in the USA  
Connectors & Couplings Compression



Since 1946

## EMT AMFICO SPEC-grade™ Connectors & Couplings Compression



1/2 the Size and Weight of All Die Cast, Malleable Iron or Off Shore Steel Fittings, TWICE the Strength & Corrosion Resistance

### DIMENSION TABLE

#### Connectors

#### Couplings

| Cat#    | Trade Size | "A"      | "B"      | "C"      | Wt./c | Cat#    | Trade Size | "A"      | "B"      | "C"      | Wt./c |
|---------|------------|----------|----------|----------|-------|---------|------------|----------|----------|----------|-------|
| EC750US | 1/2"       | 1-1/8"   | 1"       | 15/16"   | 8     | EC760US | 1/2"       | 1-3/8"   | 1"       | 15/16"   | 8     |
| EC751US | 3/4"       | 1-3/16"  | 1-7/32"  | 1-3/16"  | 12    | EC761US | 3/4"       | 1-7/16"  | 1-7/32"  | 1-3/16"  | 13    |
| EC752US | 1"         | 1-5/16"  | 1-1/2"   | 1-7/16"  | 19    | EC762US | 1"         | 1-17/32" | 1-1/2"   | 1-7/16"  | 19    |
| EC753US | 1-1/4"     | 1-9/16"  | 1-7/8"   | 1-13/16" | 30    | EC763US | 1-1/4"     | 1-27/32" | 1-7/8"   | 1-13/16" | 30    |
| EC754US | 1-1/2"     | 1-11/16" | 2-5/32"  | 2-1/16"  | 46    | EC764US | 1-1/2"     | 2-1/16"  | 2-5/32"  | 2-1/16"  | 46    |
| EC755US | 2"         | 1-7/8"   | 2-7/8"   | 2-9/16"  | 55    | EC765US | 2"         | 2-1/4"   | 2-7/8"   | 2-9/16"  | 60    |
| EC756US | 2-1/2"     | 3-1/8"   | 3-13/32" | 3-1/4"   | 120   | EC766US | 2-1/2"     | 3-5/8"   | 3-13/32" | 3-1/4"   | 133   |
| EC757US | 3"         | 3-1/16"  | 4"       | 3-29/32" | 165   | EC767US | 3"         | 3-11/16" | 4"       | 3-29/32" | 171   |
| EC758US | 3-1/2"     | 3-1/16"  | 4-9/16"  | 4-13/32" | 201   | EC768US | 3-1/2"     | 3-19/32" | 4-9/16"  | 4-13/32" | 205   |
| EC759US | 4"         | 3-1/16"  | 5-3/32"  | 4-29/32" | 237   | EC769US | 4"         | 3-5/8"   | 5-3/32"  | 4-29/32" | 238   |

#### Compliances:

Certified Made in the USA

UL 514B

NEMA Standard FB1

Certified for MIL-STD 810 Sinusoidal Vibrations

Federal Standard A-A-50553

UL Standards: 514B, 467

CSA Standard: C22.2 No. 18F

RoHS Compliant



- No need to disassemble AMFICO fittings prior to installation. AMFICO EMT Compression Fittings are designed so that when they come out of the carton they can be installed.

- No need for special tools to properly install AMFICO EMT fittings. AMFICO's fittings feature our EZ Torque Compression nuts with true precision machined cut steel threads, fit tight, right everytime.

# AMERICAN FITTINGS

## EMT Fittings Alloy Steel Made in the USA Connectors & Couplings Compression



Since 1946

**SPEC-grade™**

UL Rated Concrete Tight When Taped  
**Size Range: 1/2" - 4" Alloy Steel**  
**EC Series Connectors & Couplings Compression**  
 UL Rated Concrete Tight When Taped  
 Rain Tight Available See EC RT Series  
 Connectors Furnished with:  
 Industrial Grade Steel Locknut Furnished

**Available:**  
 Solid Alloy Steel Construction, Precision Machined  
 EC Series: Compression Feature:  
**AMFICO EZTorque Compression Nut**  
 Zinc Plated, Chromate Finish - Colors available  
 Insulated Throat Bushing Option Available on Connectors\*



2 1/2" through 4" features AMFICO's Compact Low Profile Design

**EZ Torque™**  
 Compression Nuts

### EMT AMFICO SPEC-grade™ Connectors & Couplings Compression

| Cat #   | Trade Size" | Description                         | Box Qty. | Carton Qty | NAED UPC    |
|---------|-------------|-------------------------------------|----------|------------|-------------|
| EC750US | 1/2         | EMT Steel Compression Connector USA | 50       | 250        | 66236401770 |
| EC751US | 3/4         | EMT Steel Compression Connector USA | 25       | 250        | 66236401771 |
| EC752US | 1           | EMT Steel Compression Connector USA | 20       | 100        | 66236401772 |
| EC753US | 1 1/4       | EMT Steel Compression Connector USA | 5        | 50         | 66236401773 |
| EC754US | 1 1/2       | EMT Steel Compression Connector USA | 5        | 25         | 66236401774 |
| EC755US | 2           | EMT Steel Compression Connector USA | 5        | 25         | 66236401775 |
| EC756US | 2 1/2       | EMT Steel Compression Connector USA | -        | 5          | 66236401776 |
| EC757US | 3           | EMT Steel Compression Connector USA | -        | 3          | 66236401777 |
| EC758US | 3 1/2       | EMT Steel Compression Connector USA | -        | 3          | 66236401778 |
| EC759US | 4           | EMT Steel Compression Connector USA | -        | 2          | 66236401779 |
| EC760US | 1/2         | EMT Steel Compression Coupling USA  | 50       | 250        | 66236401780 |
| EC761US | 3/4         | EMT Steel Compression Coupling USA  | 25       | 125        | 66236401781 |
| EC762US | 1           | EMT Steel Compression Coupling USA  | 20       | 100        | 66236401782 |
| EC763US | 1 1/4       | EMT Steel Compression Coupling USA  | 5        | 50         | 66236401783 |
| EC764US | 1 1/2       | EMT Steel Compression Coupling USA  | 5        | 25         | 66236401784 |
| EC765US | 2           | EMT Steel Compression Coupling USA  | 5        | 25         | 66236401785 |
| EC766US | 2 1/2       | EMT Steel Compression Coupling USA  | -        | 5          | 66236401786 |
| EC767US | 3           | EMT Steel Compression Coupling USA  | -        | 3          | 66236401787 |
| EC768US | 3 1/2       | EMT Steel Compression Coupling USA  | -        | 2          | 66236401788 |
| EC769US | 4           | EMT Steel Compression Coupling USA  | -        | 2          | 66236401789 |

#### Options

\* Insulated Throat Bushings Rated 105° on Connectors Available:

Add suffix "B" to above cat #'s:i.e. ECXXXXB

Color Coded Fittings Available Consult Factory for Details

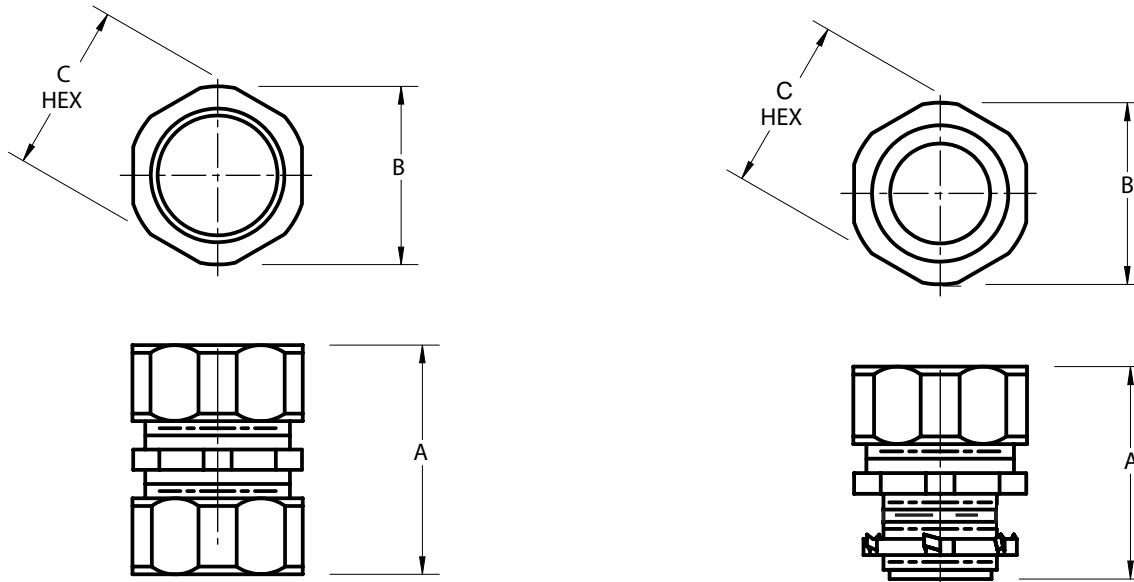
# AMERICAN FITTINGS

EMT Fittings Alloy Steel Made in the USA  
Connectors & Couplings Compression



Since 1946

## EMT AMFICO SPEC-grade™ Connectors & Couplings Compression



1/2 the Size and Weight of All Die Cast, Malleable Iron or Off Shore Steel Fittings, TWICE the Strength & Corrosion Resistance

### DIMENSION TABLE

#### Connectors

#### Couplings

| Cat#    | Trade Size | "A"      | "B"      | "C"      | Wt./c | Cat#    | Trade Size | "A"      | "B"      | "C"      | Wt./c |
|---------|------------|----------|----------|----------|-------|---------|------------|----------|----------|----------|-------|
| EC750US | 1/2"       | 1-1/8"   | 1"       | 15/16"   | 8     | EC760US | 1/2"       | 1-3/8"   | 1"       | 15/16"   | 8     |
| EC751US | 3/4"       | 1-3/16"  | 1-7/32"  | 1-3/16"  | 12    | EC761US | 3/4"       | 1-7/16"  | 1-7/32"  | 1-3/16"  | 13    |
| EC752US | 1"         | 1-5/16"  | 1-1/2"   | 1-7/16"  | 19    | EC762US | 1"         | 1-17/32" | 1-1/2"   | 1-7/16"  | 19    |
| EC753US | 1-1/4"     | 1-9/16"  | 1-7/8"   | 1-13/16" | 30    | EC763US | 1-1/4"     | 1-27/32" | 1-7/8"   | 1-13/16" | 30    |
| EC754US | 1-1/2"     | 1-11/16" | 2-5/32"  | 2-1/16"  | 46    | EC764US | 1-1/2"     | 2-1/16"  | 2-5/32"  | 2-1/16"  | 46    |
| EC755US | 2"         | 1-7/8"   | 2-7/8"   | 2-9/16"  | 55    | EC765US | 2"         | 2-1/4"   | 2-7/8"   | 2-9/16"  | 60    |
| EC756US | 2-1/2"     | 3-1/8"   | 3-13/32" | 3-1/4"   | 120   | EC766US | 2-1/2"     | 3-5/8"   | 3-13/32" | 3-1/4"   | 133   |
| EC757US | 3"         | 3-1/16"  | 4"       | 3-29/32" | 165   | EC767US | 3"         | 3-11/16" | 4"       | 3-29/32" | 171   |
| EC758US | 3-1/2"     | 3-1/16"  | 4-9/16"  | 4-13/32" | 201   | EC768US | 3-1/2"     | 3-19/32" | 4-9/16"  | 4-13/32" | 205   |
| EC759US | 4"         | 3-1/16"  | 5-3/32"  | 4-29/32" | 237   | EC769US | 4"         | 3-5/8"   | 5-3/32"  | 4-29/32" | 238   |

#### Compliances:

Certified Made in the USA

UL 514B

NEMA Standard FB1

Certified for MIL-STD 810 Sinusoidal Vibrations

Federal Standard A-A-50553

UL Standards: 514B, 467

CSA Standard: C22.2 No. 18F

RoHS Compliant



- No need to disassemble AMFICO fittings prior to installation. AMFICO EMT Compression Fittings are designed so that when they come out of the carton they can be installed.

- No need for special tools to properly install AMFICO EMT fittings. AMFICO's fittings feature our EZ Torque Compression nuts with true precision machined cut steel threads, fit tight, right everytime.